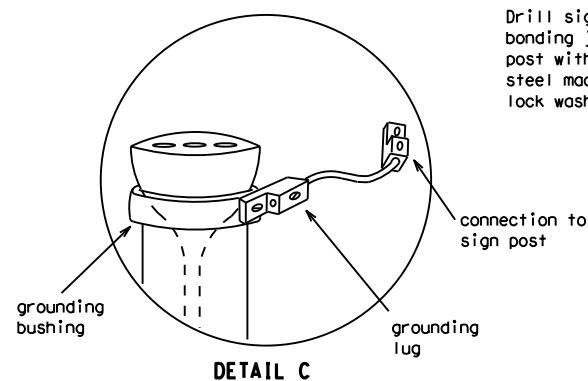
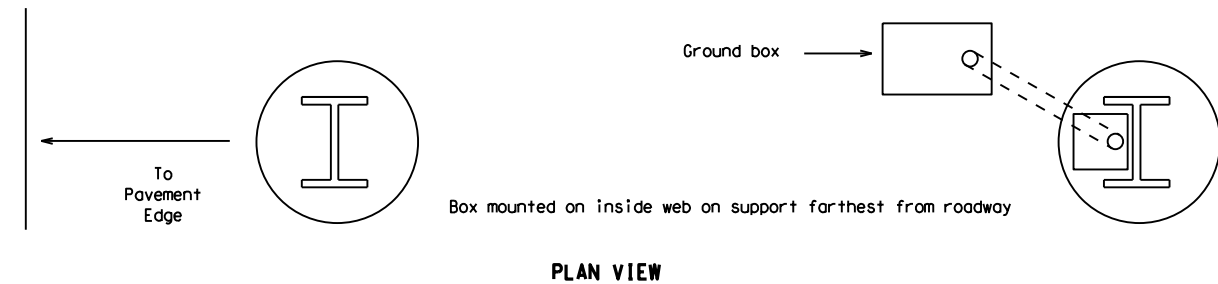
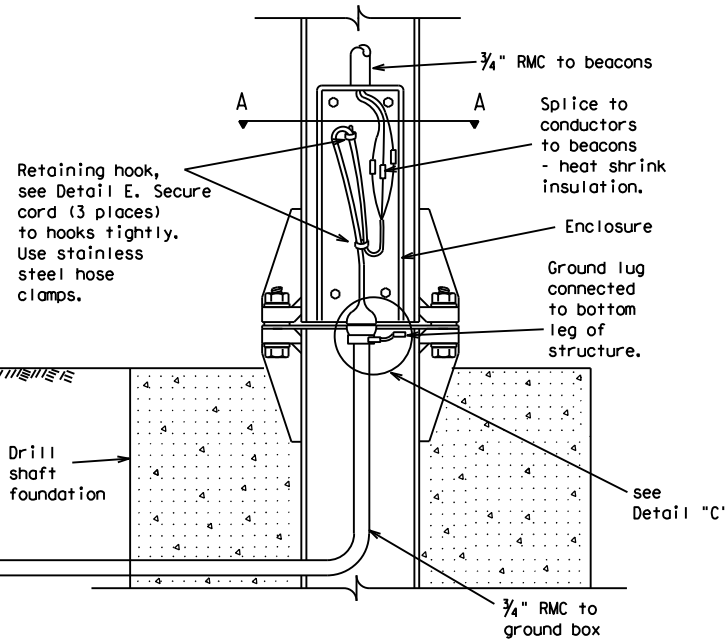


DISCLAIMER: The use of this standard is governed by the "Texas Engineering Practice Act". No warranty of any kind is made by TxDOT for any purpose whatsoever. TxDOT assumes no responsibility for the conversion of this standard to other formats or for incorrect results or damages resulting from its use.



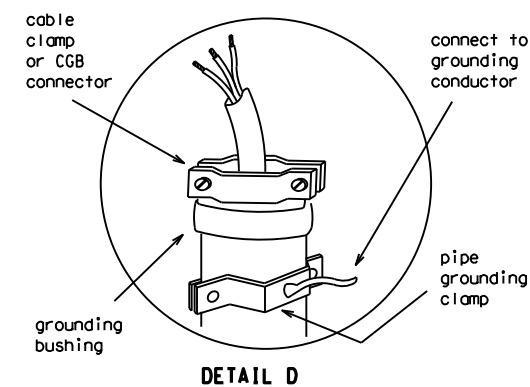
⚠ Pull connector down tight against conduit then clamp in ground box. See Detail "D"

Drill sign post - structure leg, terminate bonding jumper with listed connector to post with a 10-24 (3/16") min. stainless steel machine screw, nut, flat washer and lock washer made wrench tight.

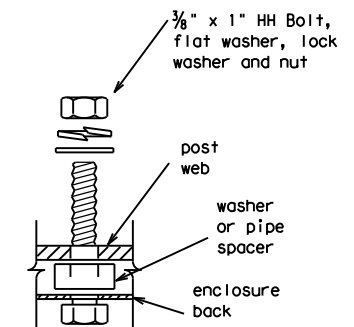
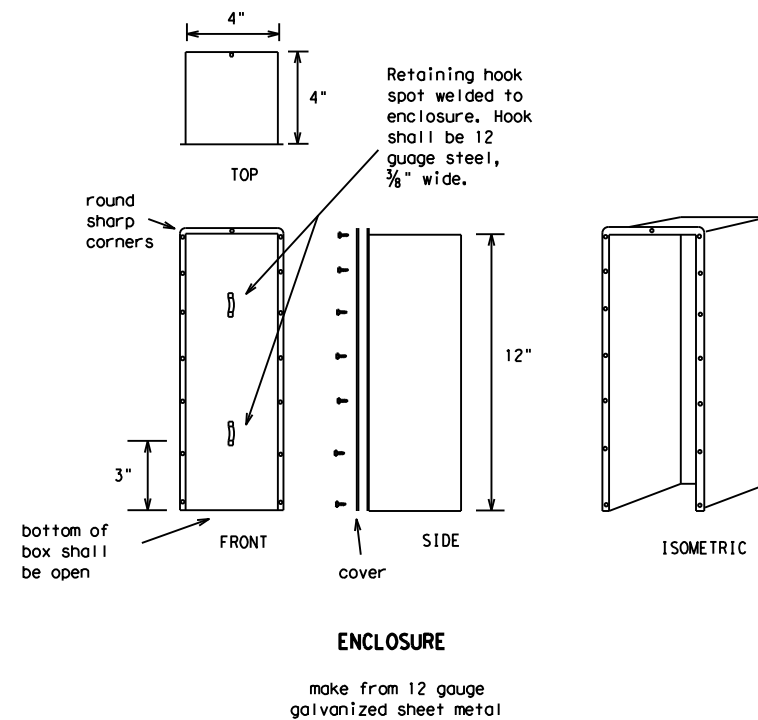
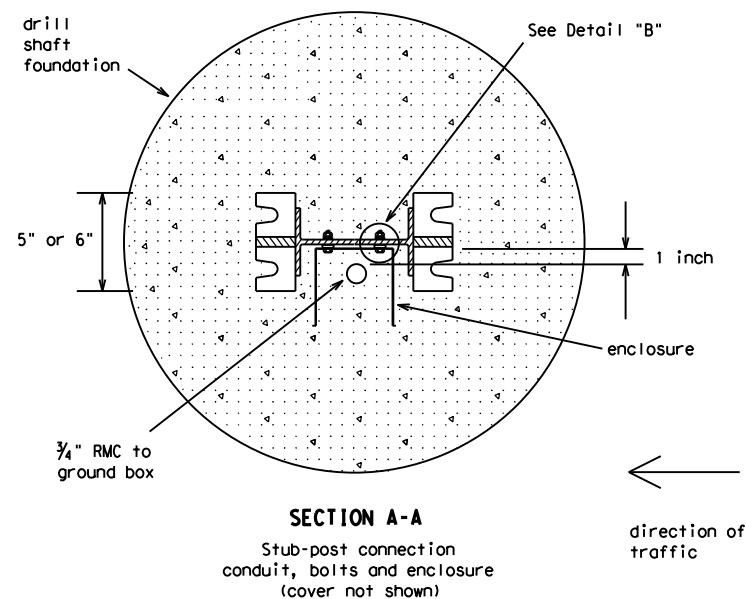


Enclosure cover not shown for clarity
Detail shows channel greater than 4 inches.
Less than 4 inches similar, see Detail A.

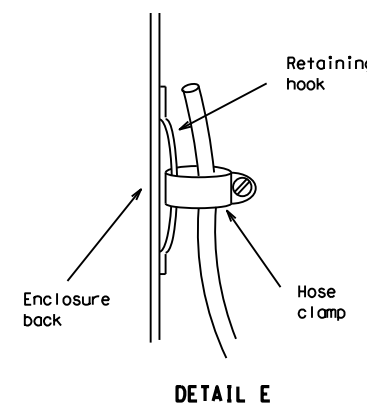
Use RMC E11s, provide grounding bushings. Terminate bonding jumper to ground rod and equipment grounding conductors.



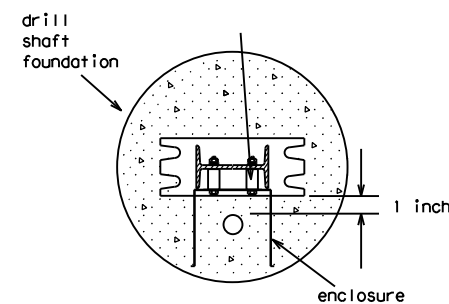
Pull cable so opposite end connector is tight against conduit end, clamp cable at top of conduit as shown.



enclosure connection (4 places)
(use 2 inch bolt for 3 and 4 inch channels)



steel pipe spacer (1" for 3" channel, 1 1/4" for 4" channel)
See detail B



Stub-post connection conduit, bolts and enclosure for 3 and 4 inch channel (cover not shown)

NOTES:

- Breakaway connector shall be rated for 300 VAC, 30 amps and shall be waterproof. Connector shall be a three pole (two line conductors and neutral) polarized elastomer connector made from thermosetting synthetic polymer which remains flexible over the temperature range of -40 degrees C to 90 degrees C. The pins on the connector shall be overmolded 1/4" from the face of the connector toward the tips of the pins with the same material used in the construction of the connector body. This overmolding of the pins shall provide a non-conductive double taper which prevents the intrusion of water into the connection when the connectors are fully engaged. The pin receptors shall have current carrying barrels recessed 1/2" from the face of the connector and surrounded by beryllium copper spring sleeves. The plug/receptacle combination shall be listed by an approved testing facility (UL or Factory Mutual) as suitable for outdoor use and shall have passed a rain test and a watertight (immersion) test as approved by the Engineer.
- The female connector shall be integrally molded to a 13' length of type S0 cord containing three number 10 or number 8 AWG conductors. The male connector shall be integrally molded to a 20' length of Type S0 cord containing three number 10 or number 8 AWG conductors. Cord conductors shall have colored insulation, two black and one white, or shall be taped or painted to be two black and one white. Tape or paint marking shall cover entire exposed length. The contractor shall make a brochure submittal on cord connectors. Breakaway connector and cord shall not be paid for separately, but shall be subsidiary to the various items.
- The contractor shall install in-line waterproof fuseholders for each line conductor in the ground box. Fuses shall be fast-acting 5 amp (Bussman KTK5, Gould ATM5, Littelfuse KLK5 or equal).
- Conduit shall convert to 3/4" liquidtight flexible metallic conduit below the fuse plate or knee joint and shall revert to 3/4" RMC above the fuse plate or knee joint. The length of liquidtight flexible metal conduit shall not exceed 6".
- Ground rod clamp shall be Blackburn GG 5/8H, Weaver W5.8 or equal.
- Ground rod to be driven to a depth to leave between 2 to 4 inches of rod above the gravel placed under the ground box. See ED(2) standard sheet for ground box details.



Texas Department of Transportation
Traffic Operations Division

SIGN MOUNTING DETAILS-
LARGE ROADSIDE SIGNS
ELECTRICAL CONNECTION

SMD(2-6)-01

11-01 Revision

- ⚠ Liquidtight conduit size corrected.
- ⚠ Editing of minor notes.

© TxDOT April 1998	DN: TxDOT	CK: TxDOT	DW: TxDOT	CK: TxDOT
11-98	REVISONS	CONT	SECT	JOB
11-01				HIGHWAY
	DIST		COUNTY	SHEET NO.

DATE:
FILE: