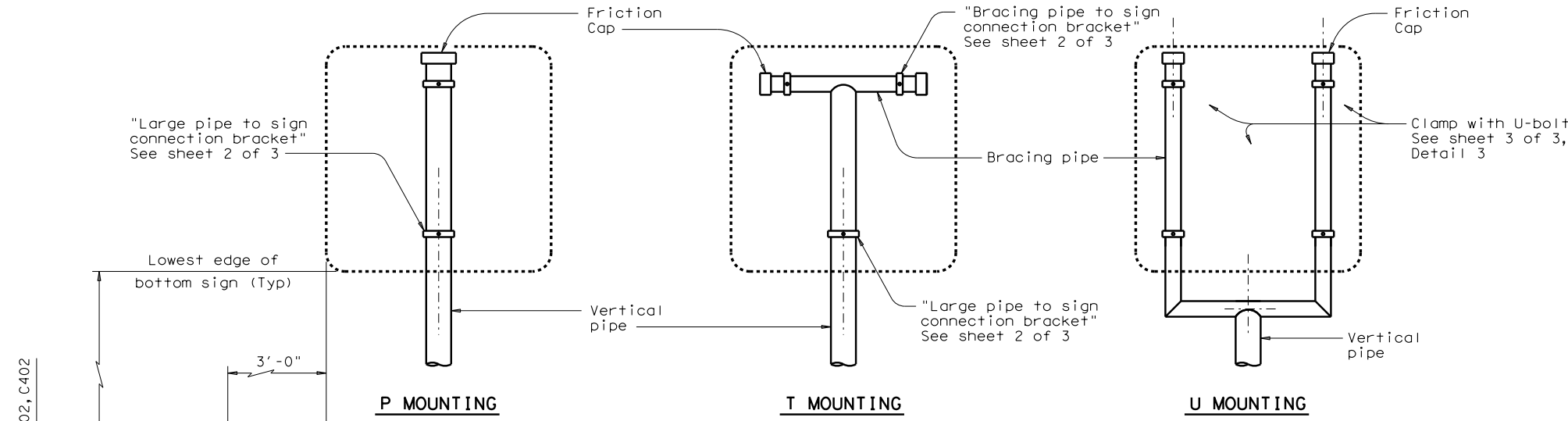


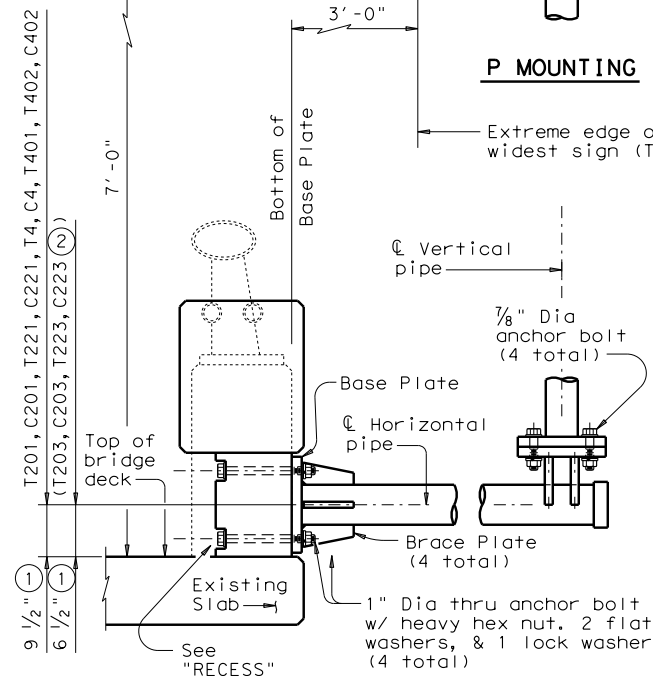
DISCLAIMER: The use of this standard is governed by the "Texas Engineering Practice Act". No warranty of any kind is made by TxDOT for any purpose whatsoever. TxDOT assumes no responsibility for the conversion of this standard to other formats or for incorrect results or damages resulting from its use.

DATE: FILE:

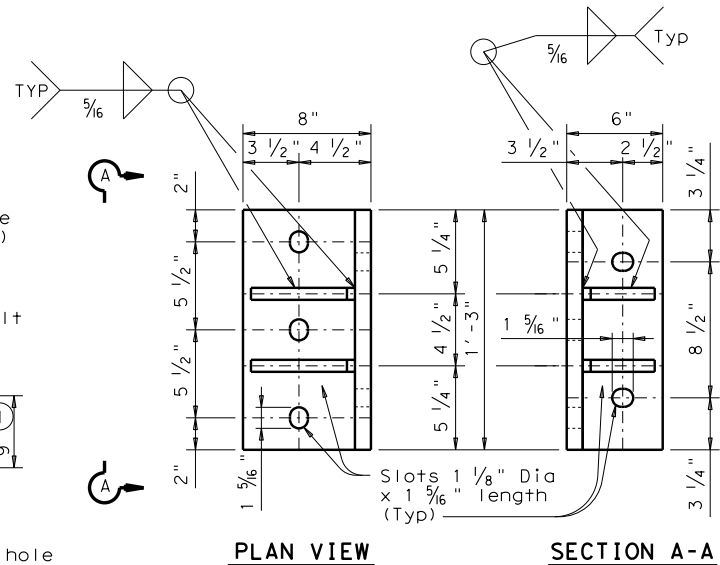
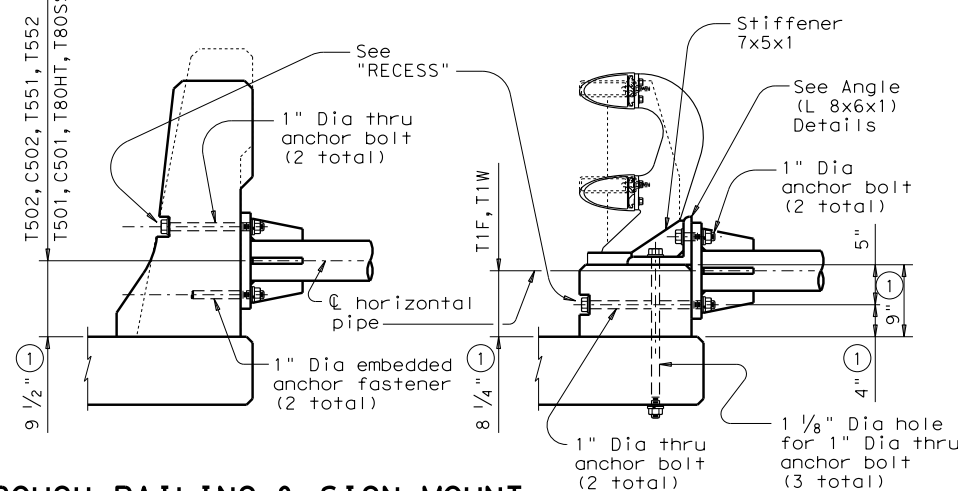


VARIOUS SIGN ATTACHMENTS

(Mounting NOT deviated from SHSD)

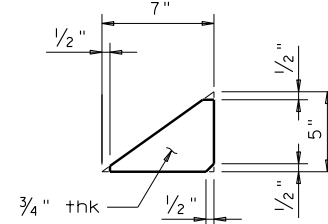


LONGITUDINAL SECTION THROUGH RAILING & SIGN MOUNT



PLAN VIEW

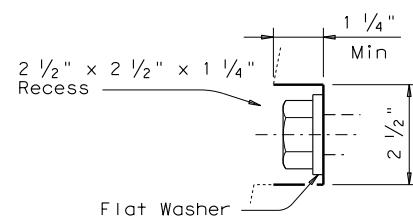
SECTION A-A



STIFFENER

ANGLE (L 8x6x1) DETAILS

- ① Increase 2" for structure with overlay.
- ② Attached at center post.



RECESS

PIPE SIZE AND THICKNESS			
Pipe Placement Design Wind Speed	Horizontal	Vertical	Bracing
90 mph	5" X-Strong (.375")	4" X-Strong (.337")	2 1/2" Standard (.203")
130 mph	6" X-Strong (.432")	5" X-Strong (.375")	3" X-Strong (.300")

GENERAL NOTES:

Design conforms to 2013 AASHTO Standard Specifications for Highway Signs, Luminaires, and Traffic Signals and Interim Specifications thereto. Design 3-second gust wind speeds of 90 mph and 130 mph with a 1.14 gust factor, and a wind importance factor of 1.0 (50-year mean recurrence interval) for the supporting structures. For mounting connection between sign panel and pipe, wind importance factors of 0.71 and 0.54, for 90 mph and 130 mph winds, respectively, are applied to adjust the wind speeds to a 10-year mean recurrence interval.

See standard sheet WV & IZ (LTS2013) for the boundaries of each design wind zone. All mounting shall be based on 130 mph wind speed design except when located in 90 mph wind zone. Maximum panel area is 30 sq. ft. Maximum design height is 50 ft, with design height defined as the distance between natural ground (average elevation of surrounding terrain) and the center of sign(s) at the mounting location.

Material for pipe shall be ASTM A53 Grade B, or A501. Structural steel plates shall be ASTM A36, A572 Grade 50, or A588. Bolts used to connect pipe and mounting bracket, and wind beam to sign panel shall be ASTM A307. Anchor bolts shall be ASTM A325 or A193 B7. Each anchor bolt shall be provided with 2 flat washers, 1 lock washer, and 1 heavy hex nut. All parts shall be galvanized in accordance with Standard Specifications Item 445, "Galvanizing".

Attach horizontal pipe at least 2'-0" from the edge of any nearby drain slot.

Contractor shall verify applicable field dimensions before fabrication. Holes drilled through the railing parapet wall shall be drilled with rotary (coring or masonry drill) type equipment. Percussion (star) drilling shall not be allowed. Anchorage for pipe attached to rail shall be placed using an anchoring system approved by the engineer. Installation of anchor fasteners including hole depth, diameter and material shall be in accordance with the manufacturers' recommendation.

Each embedded anchor fastener shall resist an allowable design loading (after applying the reduction factors of bolt spacing and bolt edge distance) of:

	130 mph	90 mph
Tension	12.5 kips	7.5 kips
Shear	9.0 kips	5.0 kips

Each anchoring system shall provide a capacity to resist the required tension and shear acting simultaneously.

For sign connection to mounting, shop drill holes on sign blank in accordance with the current Standard Highway Sign Designs for Texas (SHSD). Additional hole(s) needed to meet a stipulated-type mounting may be field drilled. For multi-sign or back-to-back signs mounting, the engineer shall determine the proper type which ensures each individual mounting meets requirements.

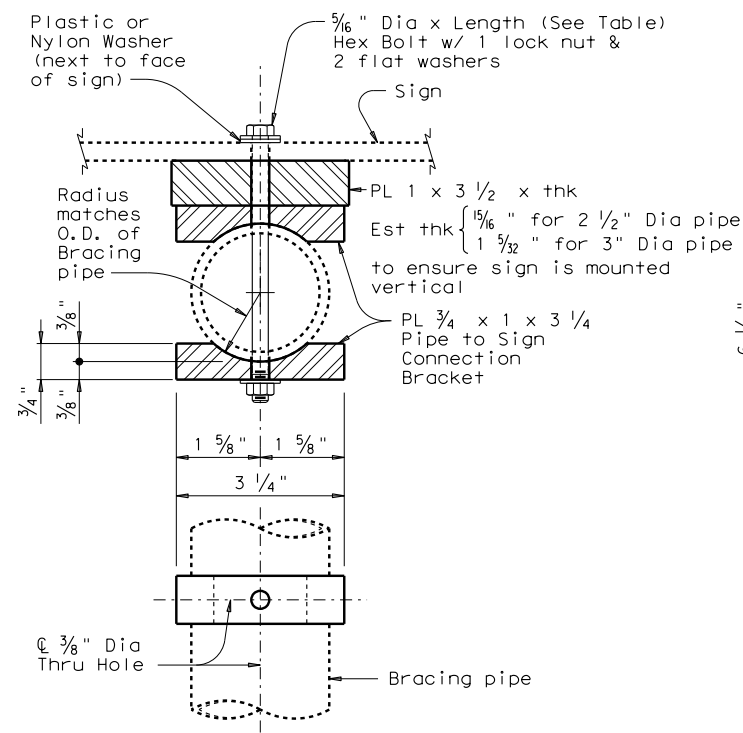
Refer to Standard sheets SMD(GEN), SMD(SLIP-2 and SMD(2-1) for details not covered here.

SHEET 1 OF 3

		Traffic Operations Division Standard	
<h2>BRIDGE RAILING SIGN MOUNT DETAILS</h2> <h3>SMD (BR-1) - 14</h3>			
FILE: smdbr-14.dgn	DN: TxDOT	CK: TxDOT	DW: TxDOT
© TxDOT August 2014	CONT	SECT	JOB
REVISIONS			
DIST		COUNTY	SHEET NO.

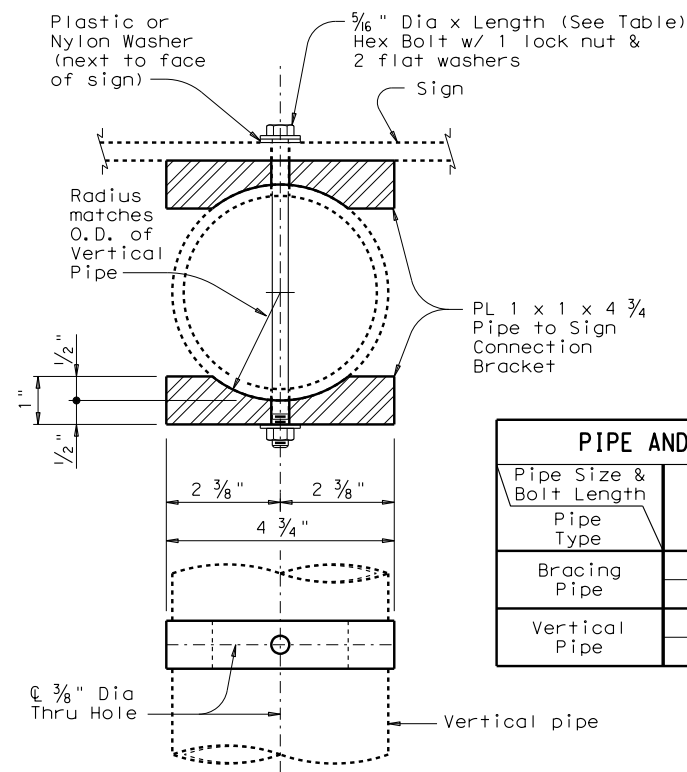
DISCLAIMER: The use of this standard is governed by the "Texas Engineering Practice Act". No warranty of any kind is made by TxDOT for any purpose whatsoever. TxDOT assumes no responsibility for the conversion of this standard to other formats or for incorrect results or damages resulting from its use.

DATE: FILE:



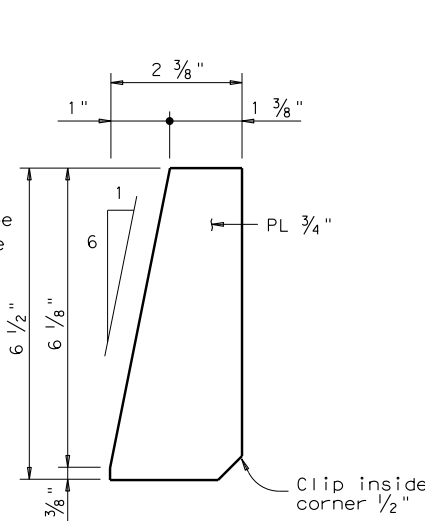
BRACING PIPE TO SIGN CONNECTION BRACKET DETAILS

(Showing T Mounting)

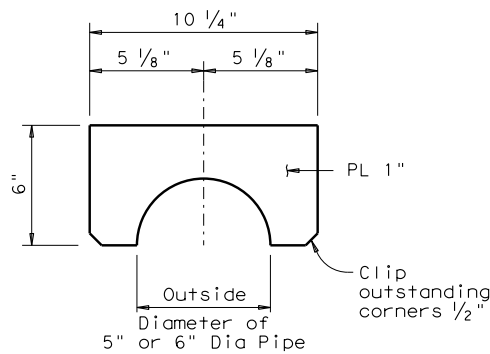


LARGE PIPE TO SIGN CONNECTION BRACKET DETAILS

(Showing P or T Mounting)

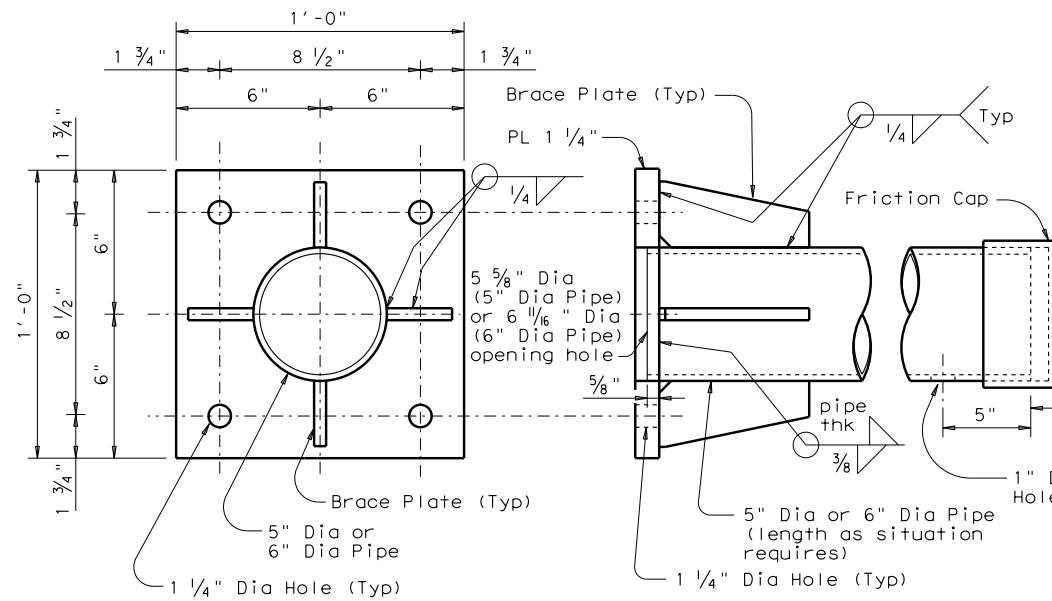


BRACE PLATE DETAILS

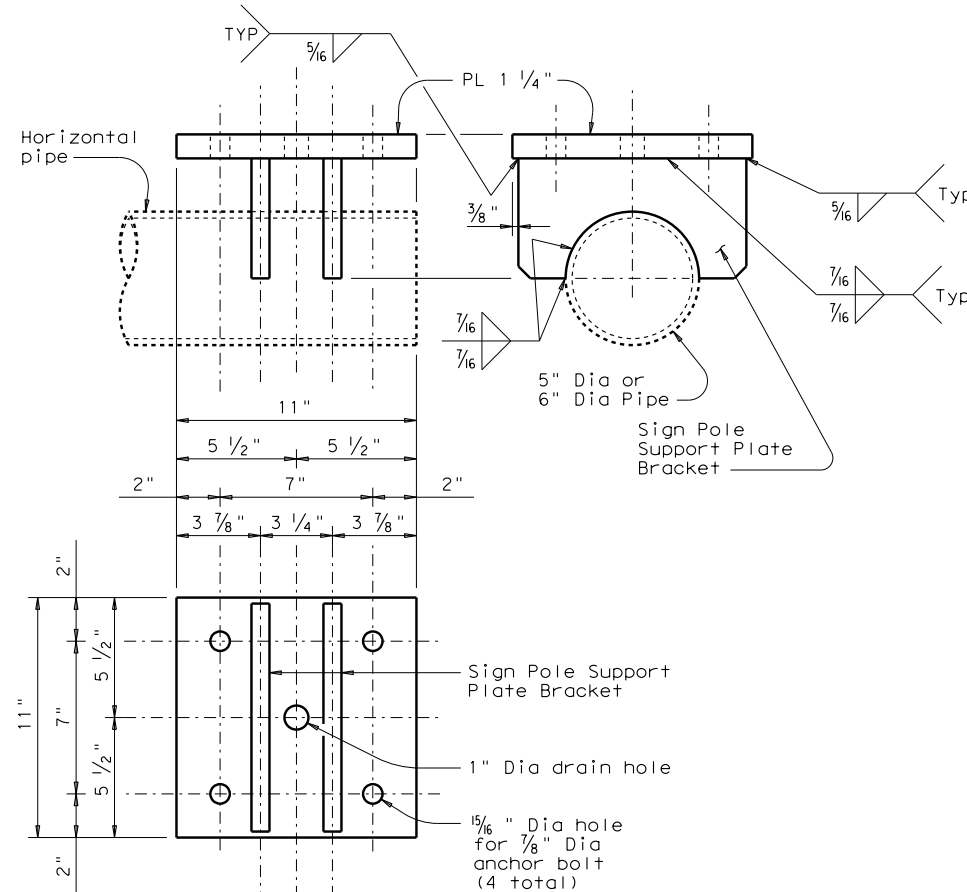


SIGN POLE SUPPORT PLATE BRACKET DETAILS

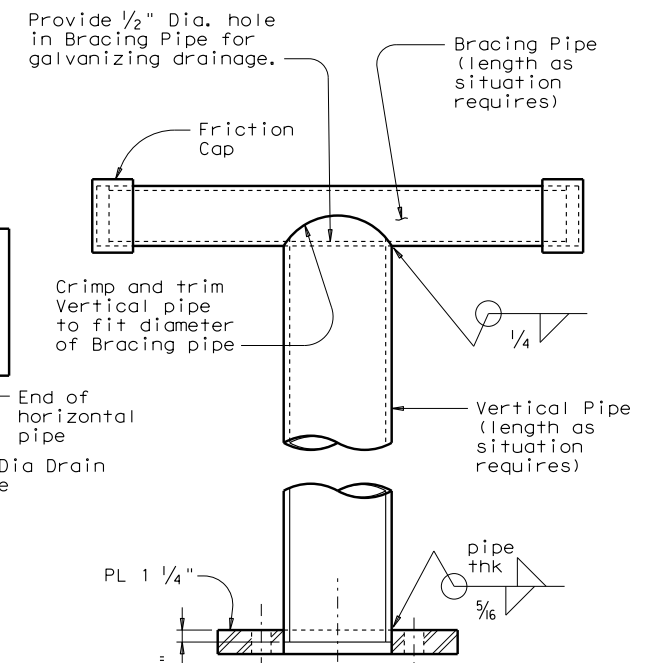
PIPE AND BOLT SPECIFICATIONS		
Pipe Size & Bolt Length Pipe Type	Nominal Pipe Dia (in.)	Bolt Length (in.)
Bracing Pipe	2 1/2	6
Vertical Pipe	4	7
Vertical Pipe	5	8



BASE PLATE DETAILS



SIGN POLE SUPPORT PLATE DETAILS



SIGN POLE & POLE BASE PLATE DETAILS

(Showing only T Mounting)

SHEET 2 OF 3



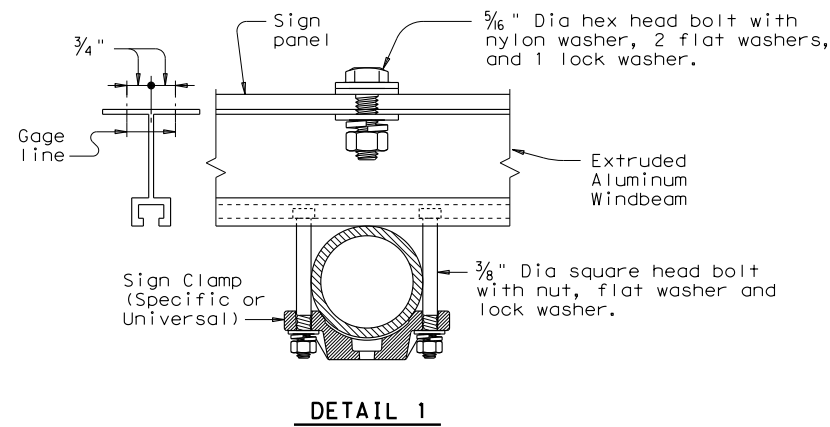
BRIDGE RAILING SIGN MOUNT DETAILS

SMD (BR-2) - 14

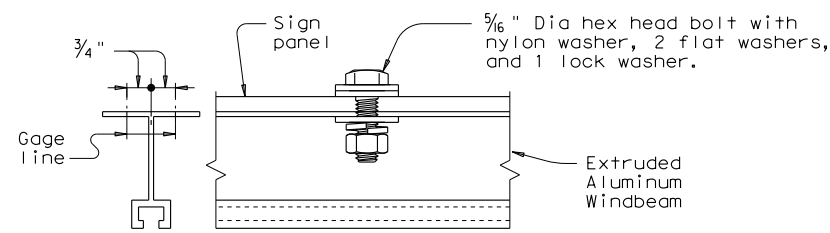
FILE: smdbr-14.dgn	DN: TxDOT	CK: TxDOT	DW: TxDOT	CK: TxDOT
© TxDOT August 2014	CONT	SECT	JOB	HIGHWAY
REVISIONS				
DIST	COUNTY			SHEET NO.

DISCLAIMER: The use of this standard is governed by the "Texas Engineering Practice Act". No warranty of any kind is made by TxDOT for any purpose whatsoever. TxDOT assumes no responsibility for the conversion of this standard to other formats or for incorrect results or damages resulting from its use.

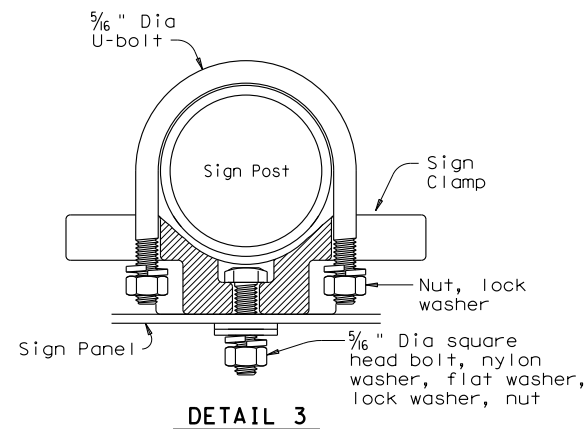
DATE: FILE:



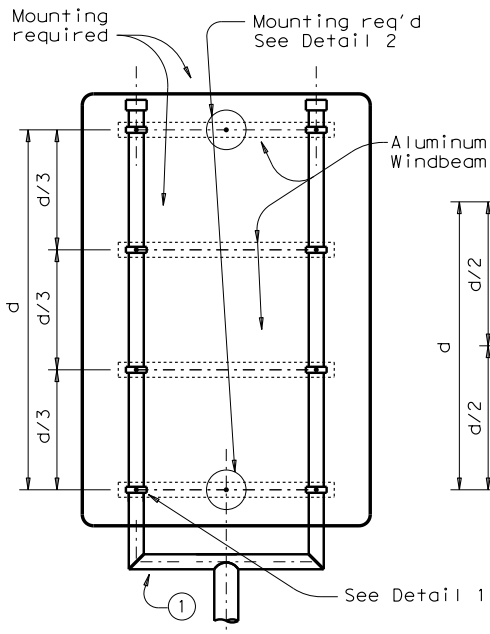
DETAIL 1



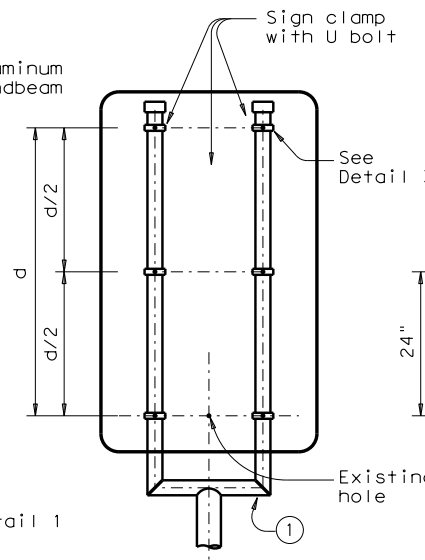
DETAIL 2



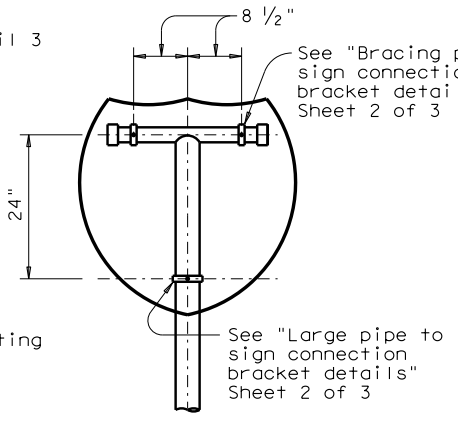
DETAIL 3



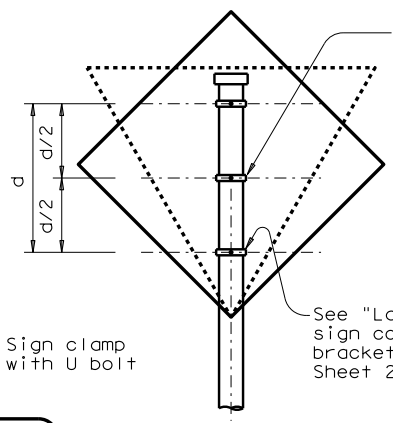
TYPE 4



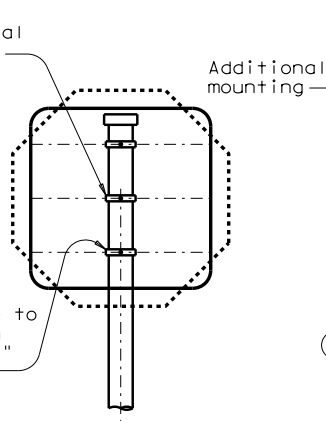
TYPE 32



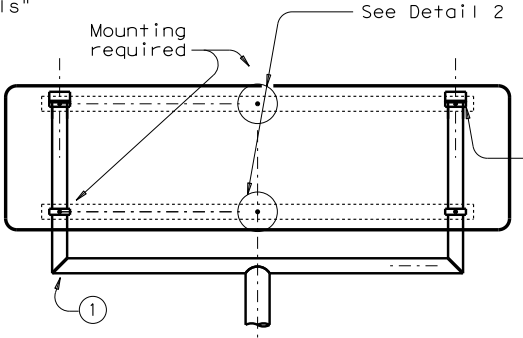
TYPE SPECIAL



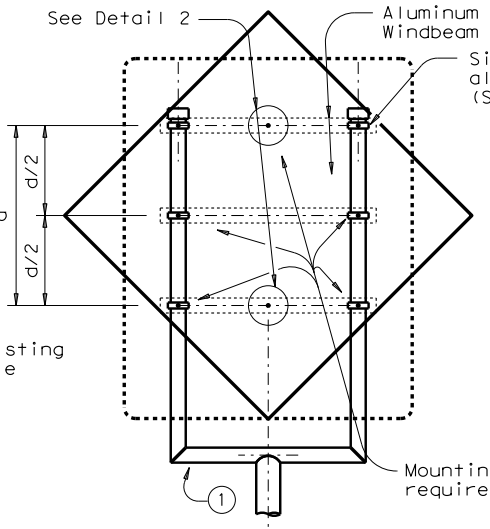
TYPE 1



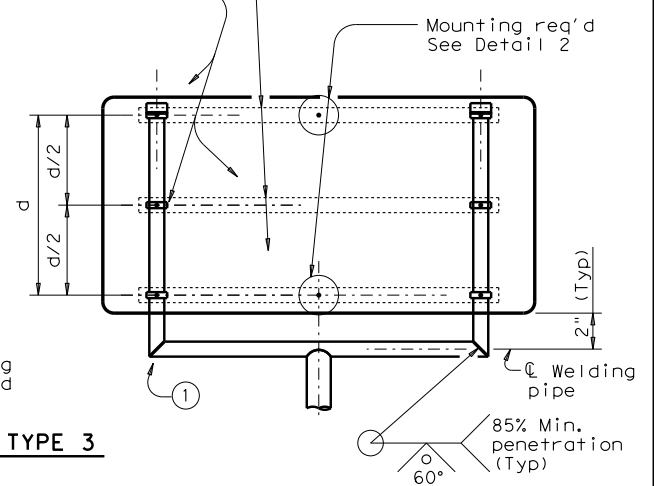
TYPE 2



TYPE 23



TYPE 3



SIGN SHAPE	SQUARE			HORIZONTAL RECTANGLE			VERTICAL RECTANGLE			DIAMOND			OCTAGON			EQUILATERAL TRIANGLE			INTERSTATE SHIELD	PENTAGON (SCHOOL)		
	P	T	U	P	T	U	P	T	U	P	T	U	P	T	U	P	T	U	P	P	T	
Type of Sign Mounting on SHSD																						
Design Wind Speed																						
90 mph					(Type 23) 60"x48"			(Type 3) 72"x36" 78"x36"			(Type 2) 36"x48" (Type 32) 36"x60" 36"x72" 42"x60" 48"x54" 48"x60" 48"x72"			(Type 3) 60"x60"						(Type Special) 45"x36"		
130 mph	(Type 1) 30"x30" 36"x36"	(Type 3) 48"x48"		(Type 1) 36"x24" 36"x30"	(Type 23) 48"x42" 54"x42" 60"x30" 66"x36" 84"x24"		(Type 3) 72"x36" 78"x36"	(Type 1) 30"x36" 30"x42"		(Type 3) 36"x48" 36"x60" 36"x72" 42"x60" 48"x54" 48"x60"	(Type 3) 48"x60"	(Type 1) 36"x36"	(Type 3) 48"x48" 60"x60"			(Type 1) 48"x48"			(Type Special) 36"x36" 45"x36"			

Notes: 1. Drill holes in addition to the hole pattern of the Standard Highway Sign Designs for Texas (SHSD) at specified locations to meet a stipulated-type mounting indicated in the parenthesis ().
 2. "Blank" in the above table indicates all other signs excluded from stipulated mounting shall be mounted in accordance with SHSD.
 ① In lieu of welding, the Fabricator may bend bracing pipe elbows if the following conditions are met:
 a. Spacing between vertical bracing pipes is equal to or greater than 2'-6".
 b. Bending radius is 12".
 c. The distance between the lowest clamp and centerline of horizontal bent pipe is 13" max.

SHEET 3 OF 3

Texas Department of Transportation
Traffic Operations Division Standard

BRIDGE RAILING SIGN MOUNT DETAILS

SMD (BR-3) - 14

FILE: smdbr-14.dgn	DN: TxDOT	CK: TxDOT	DW: TxDOT	CK: TxDOT
© TxDOT August 2014	CONT	SECT	JOB	HIGHWAY
REVISIONS				
	DIST	COUNTY		SHEET NO.