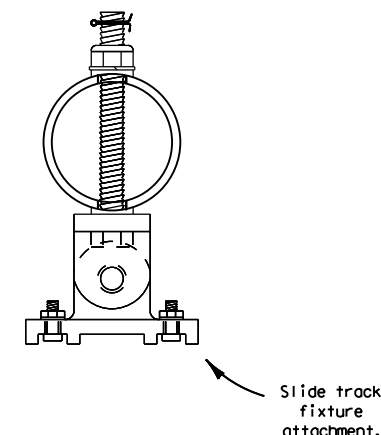
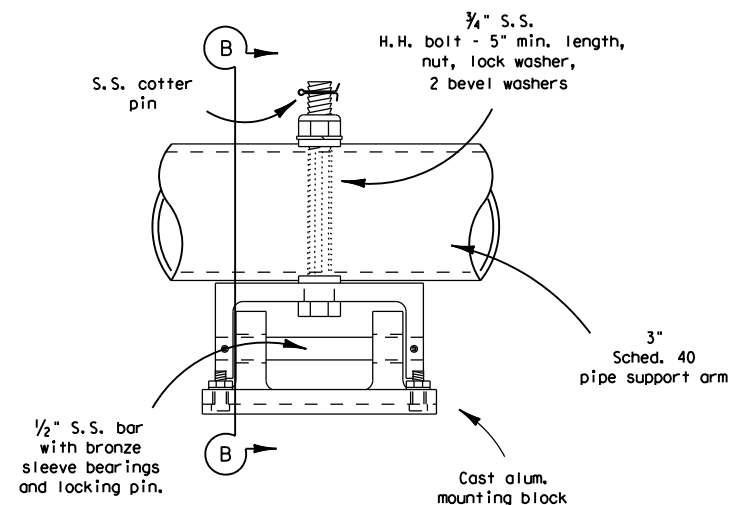
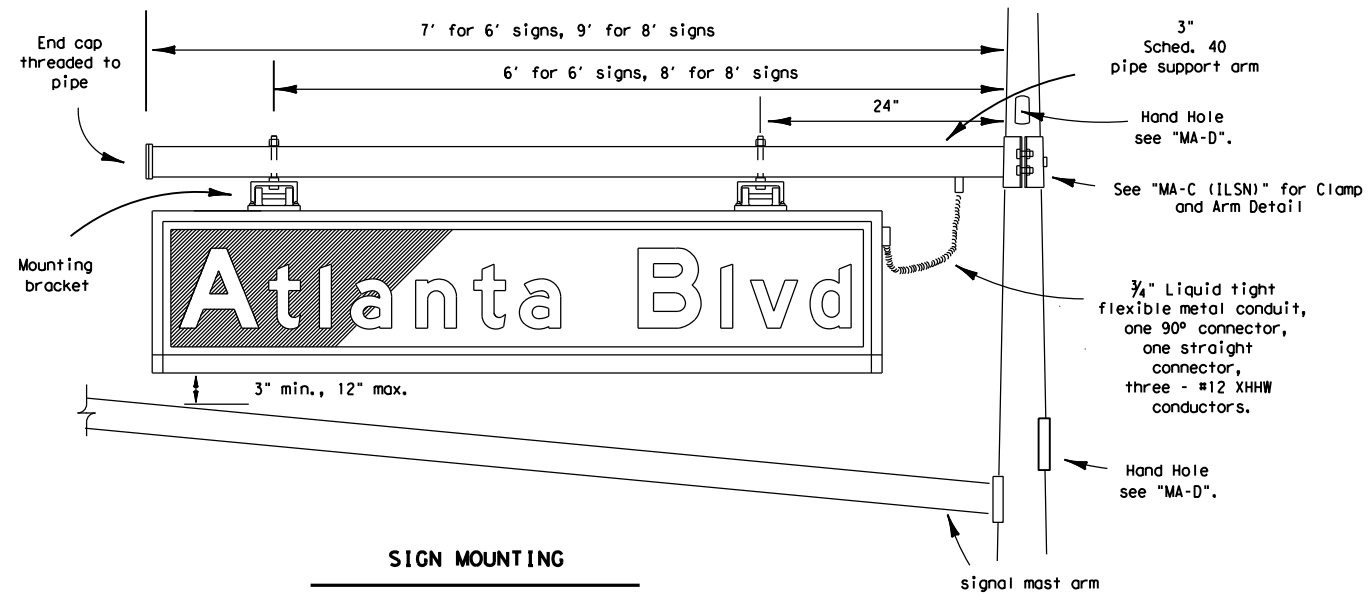
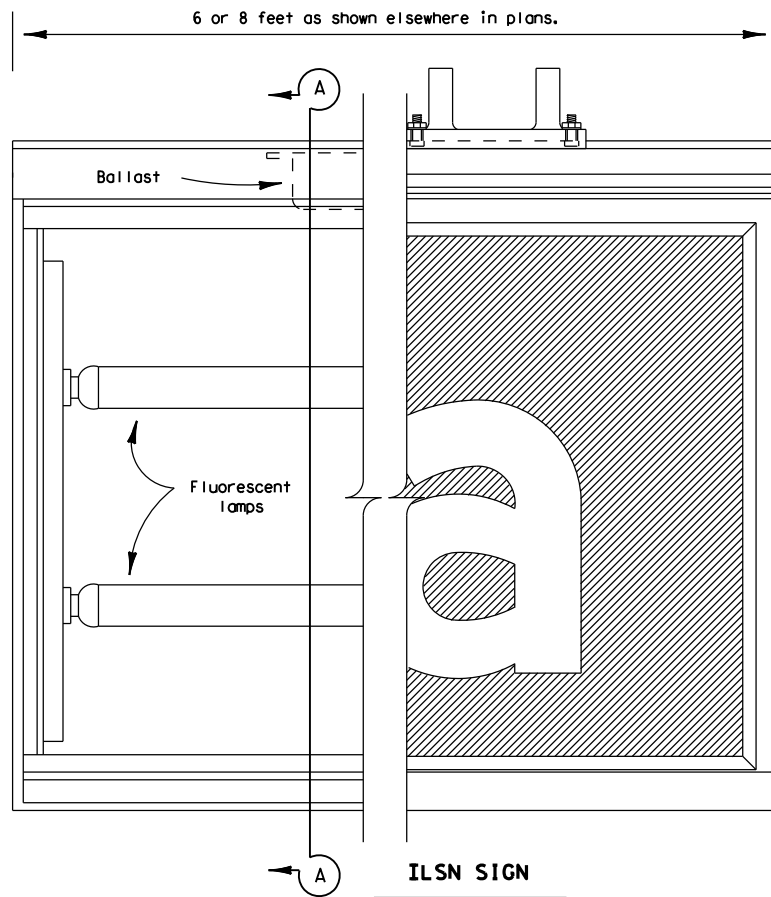
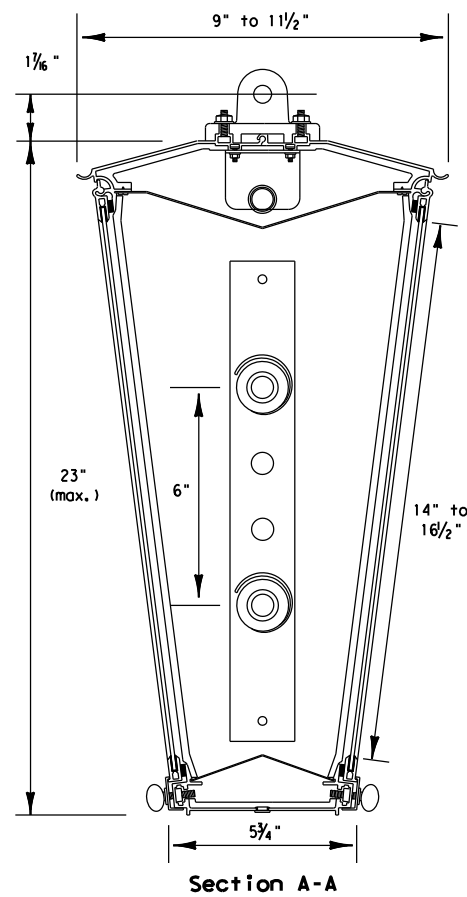


DISCLAIMER: The use of this standard is governed by the "Texas Engineering Practice Act". No warranty of any kind is made by TxDOT for any purpose whatsoever. TxDOT assumes no responsibility for the conversion of this standard to other formats or for incorrect results or damages resulting from its use.

DATE:
FILE:

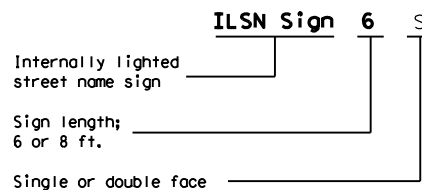
INTERNALLY LIGHTED STREET NAME SIGN DETAILS



ILSN SIGN NOTES:

1. Eight foot ILSN sign shall not exceed 11.5 sq.ft. effective projected area (EPA) and shall not exceed a weight of 85 lbs.
Six foot ILSN sign shall not exceed 8.7 sq.ft. EPA and shall not exceed a weight of 70 lbs.
2. Sign message shall be as shown elsewhere in the plans.
3. See Special Specification, "Internally Lighted Street Name Signs" for additional details.

EXPLANATION OF DESCRIPTION



Texas Department of Transportation
Traffic Operations Division

**STREET NAME
SIGN DETAILS
(ILLUMINATED)**

SNS-95

© TxDOT August 1995		DN: TxDOT	CK: TxDOT	DW: TxDOT	CK: TxDOT
REVISIONS		CONT	SECT	JOB	HIGHWAY
		DIST	COUNTY		SHEET NO.