

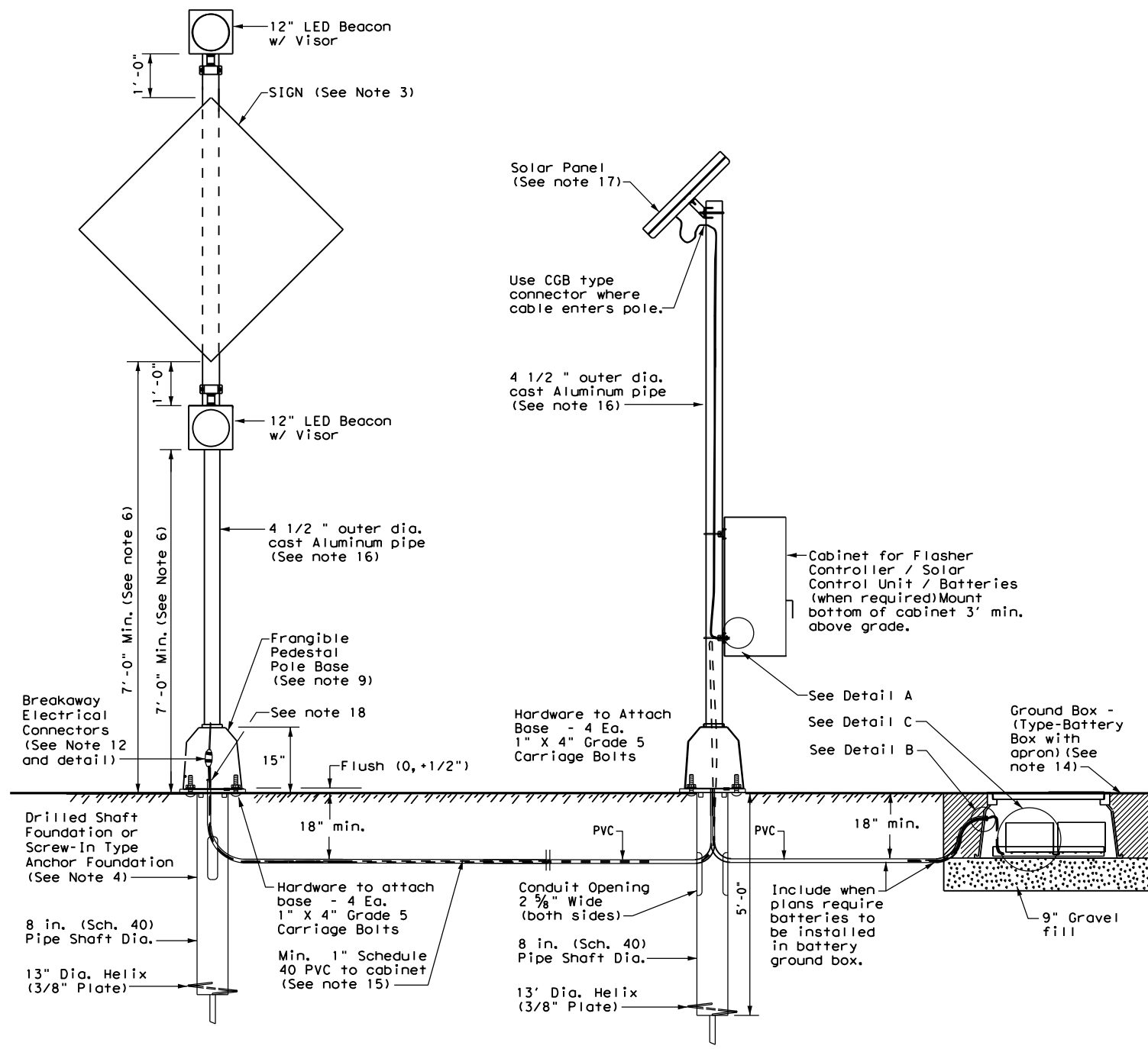
DISCLAIMER: The use of this standard is governed by the "Texas Engineering Practice Act". No warranty of any kind is made by TxDOT for any purpose whatsoever. TxDOT assumes no responsibility for the conversion of this standard to other formats or for incorrect results or damages resulting from its use.

**GENERAL NOTES:**

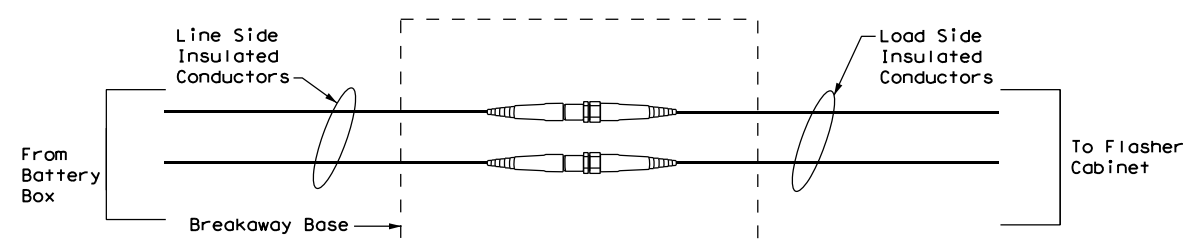
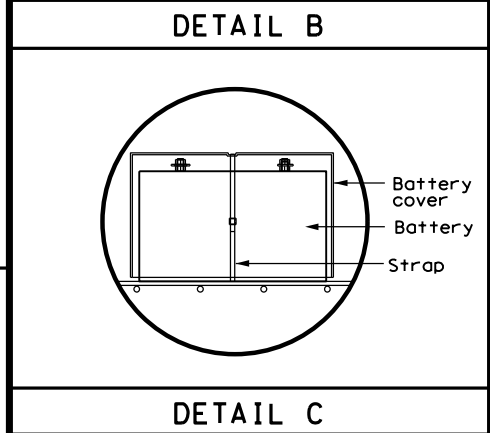
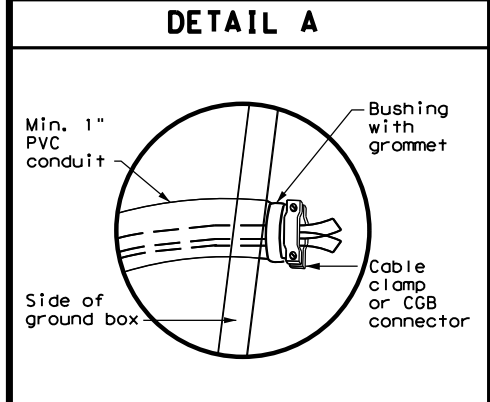
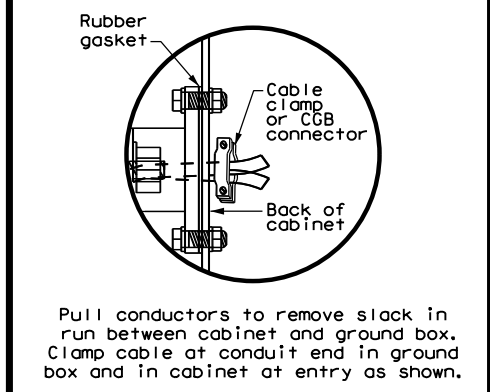
- Details show a typical warning sign with two flashing beacon heads, other arrangements are possible. When only one beacon is required, install the upper beacon.
- See Item 685, "Roadside Flashing Beacon Assemblies" for further requirements.
- See SMD standard sheets for lateral and vertical clearances and sign mounting details. Install signs as shown on the sign layout sheets.
- Use either a Screw-In Type Anchor Foundation or a Drilled Shaft Foundation as shown elsewhere in the plans. When plans require a Drilled Shaft Foundation, see standard sheet TS-FD. Install the Screw-In Type Anchor Foundation as per manufacturer's recommendations. On a slope, install one edge at ground level. Screw-In/Drilled Shaft Foundation is subsidiary to Item 685. Installation of a ground rod is not required for solar powered flashing beacon assemblies.
- When used, provide Screw-In Type Anchor Foundations as shown on TxDOT's Material Producer List (MPL) in the file "Highway Traffic Signals".
- Provide clearance as shown above the sidewalk or pavement grade at the edge of the road. When a bottom beacon is not used, mount the bottom of the sign at least 7 ft. above the sidewalk or pavement grade at the edge of the road.
- Use materials specifically designed for attaching cabinets, beacon heads, solar panels, etc., to poles.
- Conduit in foundation and within 6 in. of foundation is subsidiary to the Item 685, "Roadside Flashing Beacon Assemblies."
- Per manufacturer's recommendations, engage all threads on the pedestal pole base and pipe unless the pipe is fully seated into base. In high winds, use a pole and base collar assembly to add strength and prevent loosening on connection.
- Install beacon heads as shown here, as shown elsewhere on the plans, or as directed. Use hardware specifically designed for mounting beacon heads on poles.
- Install the cable clamp in the bottom third of the back of the cabinet. See Detail A.
- Provide single pole non-fused watertight breakaway electrical connectors for frangible pedestal pole bases, as shown on TxDOT's MPL in the file "Roadway Illumination and Electrical Supplies". Approved models are listed under Item 685. For ungrounded (hot) conductors, install a breakaway connector with a dummy fuse (slug). For grounded (neutral) conductors, install a breakaway connector with a white colored marking and a permanently installed dummy fuse (slug).
- Install the batteries in a battery box. Place the batteries on a 3/16" thick plastic sheet and connect together. Place a plastic cover (battery bell jar) over the top of each battery and secure the battery bell jar to the battery with a strap. The batteries, bell jars, straps and 3/16" plastic sheet are subsidiary to the Item 685, "Roadside Flashing Beacon Assemblies." When required, install batteries in the flasher cabinet. Wire batteries according to manufacturer's recommendations. Provide the number of batteries as required by the manufacturer.
- See standard sheet Electrical Details (ED) for additional requirements regarding the installation of ground boxes/battery boxes, conduit, and cabinets.
- Unless otherwise shown on the plans or recommended by the manufacturer, use the following table to determine the wire size from cabinet to beacons.

Distance from Cabinet to Beacons (ft.)	Minimum Required Wire Size (AWG)
0 - 35	#14
35 - 60	#12
60 - 100	#10
> 100	#8

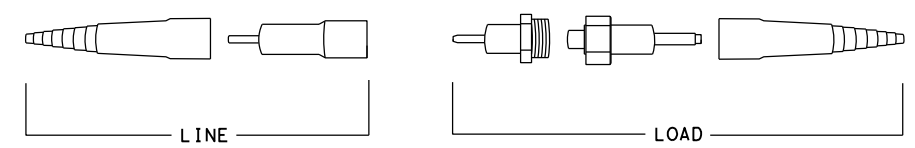
- Unless otherwise shown on the plans, pole shaft shall be one piece, Schedule 40 Aluminum pipe, ASTM B429 or B221 (Alloy 6061-T6 only). Aluminum conduit will not develop the necessary strength and will not be allowed.
- Orient solar panel for optimum exposure to sunlight (face to the south). Prior to installation, check the location to ensure there is no overhead obstruction that would block the solar panel from receiving full sunlight. Unless specified elsewhere, mount a minimum of 14' above grade.
- Ensure height of conduit is below top of anchor bolts.



**DETAIL FOR SOLAR PANEL, CABINET, AND BATTERIES LOCATED OUT OF CLEAR ZONE ON SEPARATE ALUMINUM POLE ASSEMBLY**



**NON-FUSED BREAKAWAY ELECTRICAL CONNECTORS**



**NON-FUSED BREAKAWAY ELECTRICAL CONNECTORS EXPLODED VIEW**

**SOLAR POWERED ROADSIDE FLASHING BEACON ASSEMBLY DETAILS (ALUMINUM) SPRFBA (3) - 13**

FILE: spb3-13.dgn	DN: TxDOT	CK: TxDOT	DW: TxDOT	CR: TxDOT
© TxDOT May 2003	CONT	SECT	JOB	HIGHWAY
12-04	DIST		COUNTY	SHEET NO.
3-13				

DATE:  
FILE: