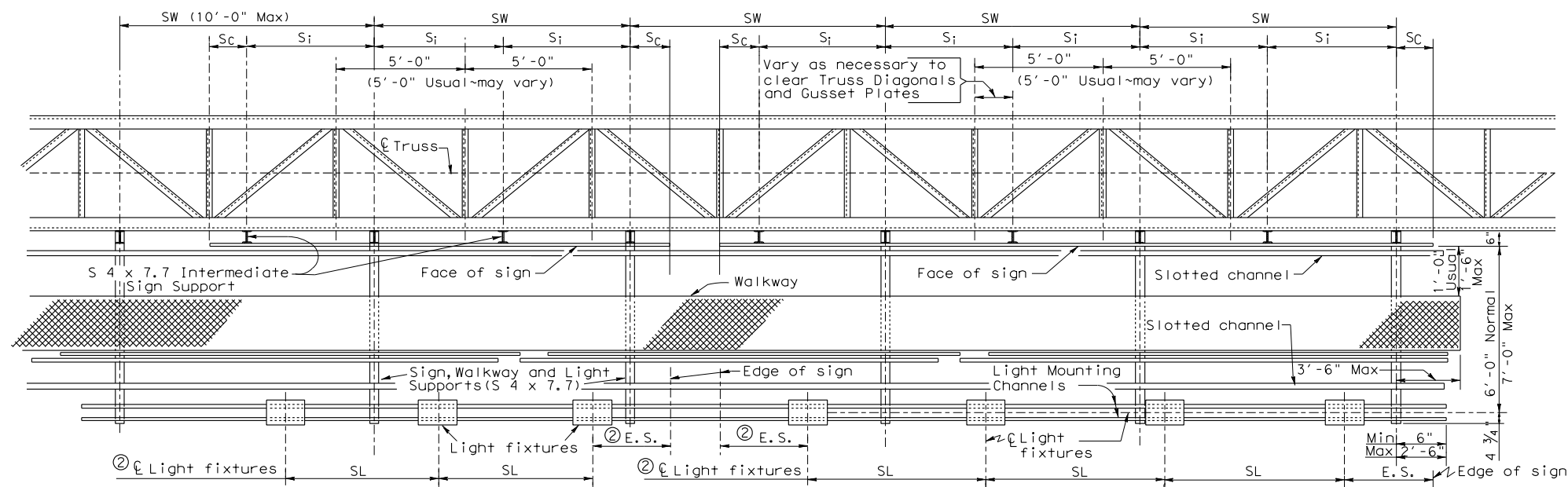


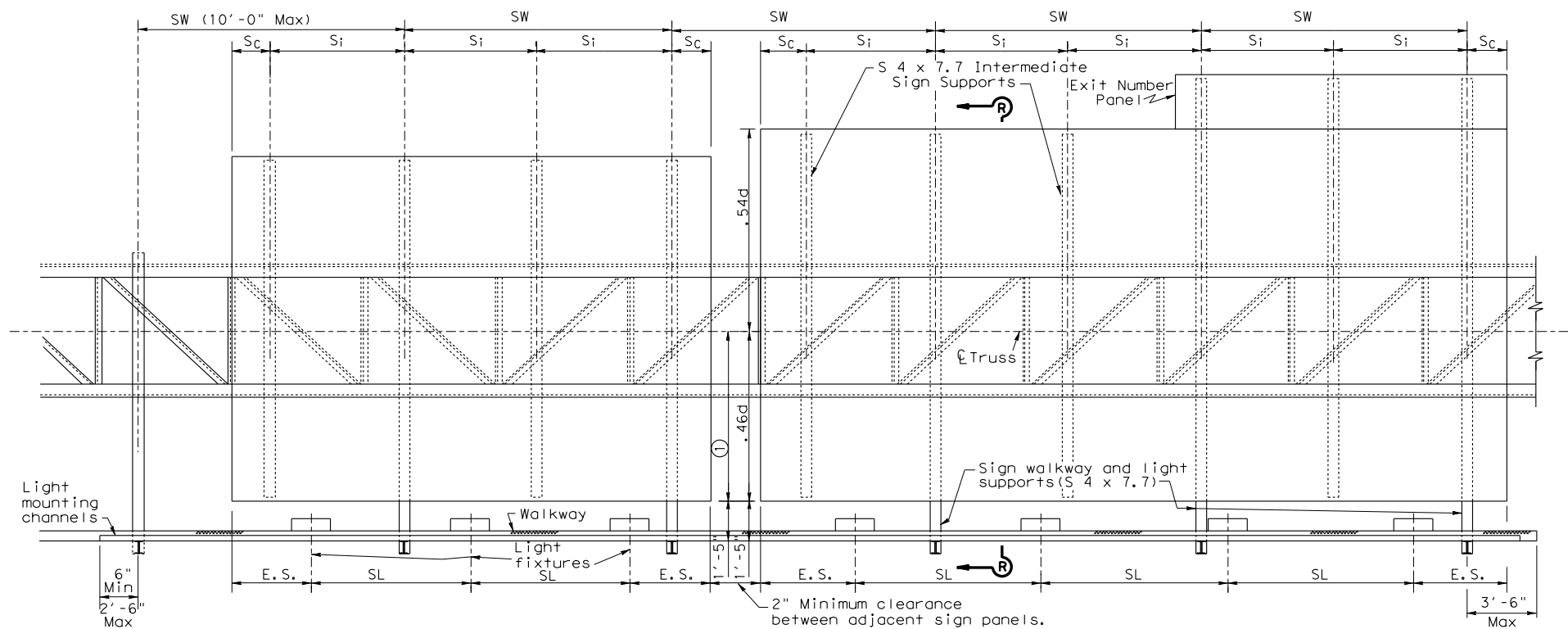
DISCLAIMER: The use of this standard is governed by the "Texas Engineering Practice Act". No warranty of any kind is made by TxDOT for any purpose whatsoever. TxDOT assumes no responsibility for the conversion of this standard to other formats or for incorrect results or damages resulting from its use.

DATE:
FILE:



Sc=6" Min and .25 Si Max
 ② See SL(MV) for light fixture spacing.

PART PLAN
 (Showing Truss, Signs, Walkways and Lights)

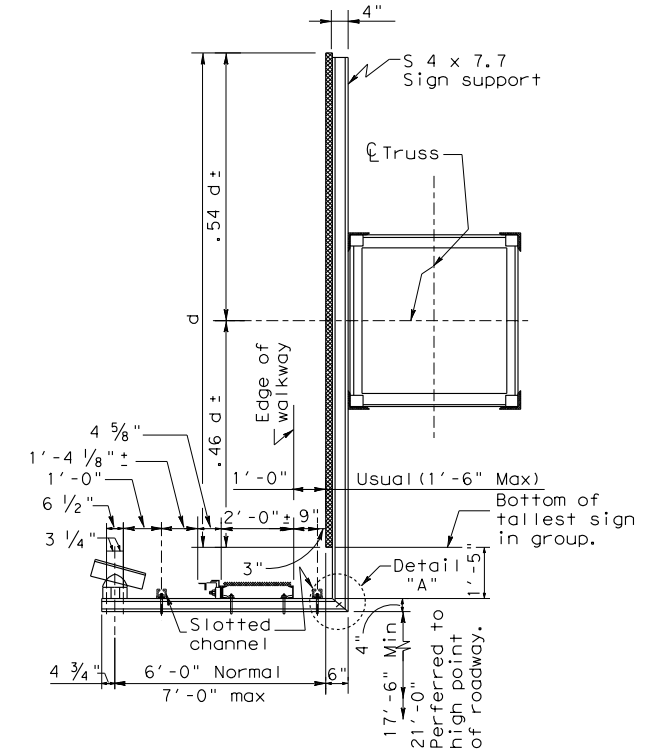


PART ELEVATION

① Where signs of different depths are used, the bottom edge of all signs may be placed in line. Where this is done, all signs should be so positioned that the bottom edges are approximately 0.46 of the depth of the deepest sign below the \bar{C} of the truss. When signs are spaced thus, Si is determined by the deepest sign.

See sheet SL(MV) for Lighting Details & Spa.S.L. & E.S.
 See sheet SSW(1) for Walkway Details.
 See sheet SMD(2-4) for Extruded Aluminum Sign Details & Max. Spa. for Si.
 Sc= 6" min, .25 Si max.

Note: Exit Number Panel may be supported by sign support brackets as shown hereon, or may be supported as shown on sheet SMD(2-4). Regardless of method used spacing of supports shall not exceed Si.



SECTION R-R

SHEET 1 OF 2

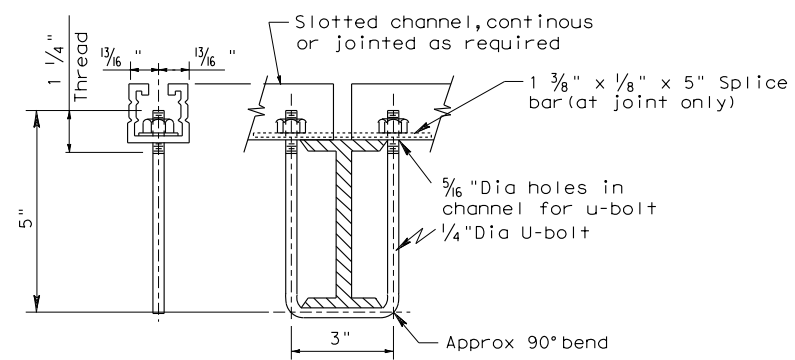


**SUPPORT BRACKETS
 FOR
 SIGNS, WALKWAYS & LIGHTS**

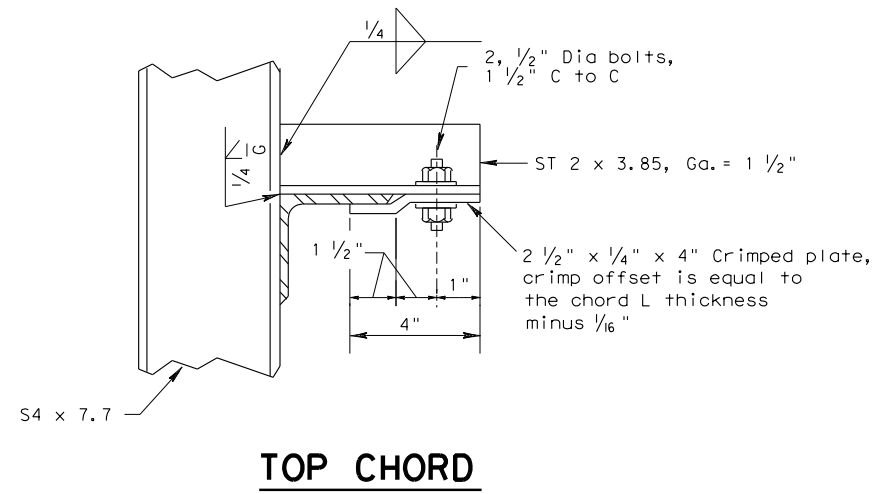
SB(SWL-1)-14

FILE: SWL-14.dgn	DN: TxDOT	CK: TxDOT	DW: TxDOT	CK: TxDOT
© TxDOT April 2014	CONT	SECT	JOB	HIGHWAY
REVISIONS				
DIST	COUNTY			SHEET NO.

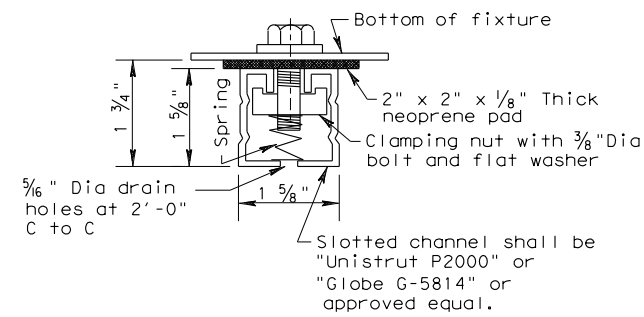
DISCLAIMER: The use of this standard is governed by the "Texas Engineering Practice Act". No warranty of any kind is made by TxDOT for any purpose whatsoever. TxDOT assumes no responsibility for the conversion of this standard to other formats or for incorrect results or damages resulting from its use.



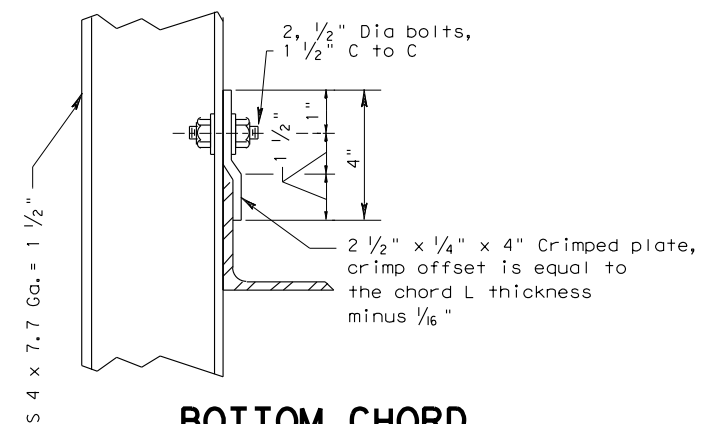
SECTION A-A



TOP CHORD



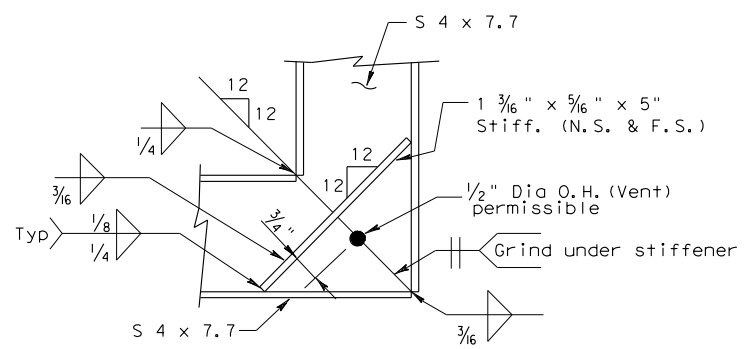
TYPICAL SLOTTED CHANNEL CONNECTED TO LIGHTING FIXTURE



BOTTOM CHORD

SUPPORT TO TRUSS CONNECTION

GENERAL NOTES:
 Design conforms to 1994 AASHTO Standard Specifications for Structural Supports for Highway Signs, Luminaires and Traffic Signals and Interim revisions thereto.
 Materials, fabrication, construction and erection shall conform to Item 654, "Sign Walkways" and with details, dimensions, and weld procedures shown herein. Structural steel shall conform with ASTM A36 unless noted otherwise.
 Bolts shall have hexagon heads and nuts and conform with ASTM A307.
 All parts shall be galvanized after fabrication per Item 445, "Galvanizing".



DETAIL "A"

SHEET 2 OF 2



SUPPORT BRACKETS FOR SIGNS, WALKWAYS & LIGHTS SB(SWL-1)-14

FILE: SWI-14.DGN	DN: TxDOT	CK: TxDOT	DW: TxDOT	CK: TxDOT
© TxDOT April 2014	CONT	SECT	JOB	HIGHWAY
REVISIONS				
DIST	COUNTY			SHEET NO.

DATE:
FILE: