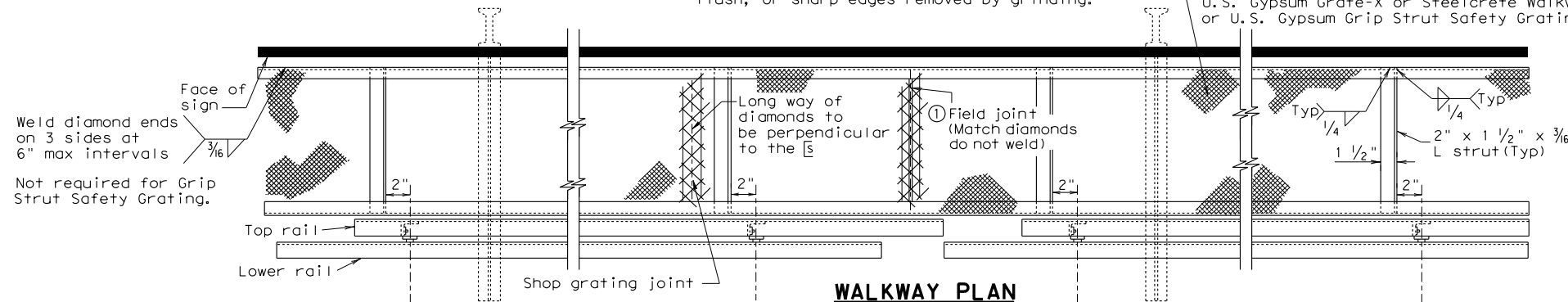


DISCLAIMER: The use of this standard is governed by the "Texas Engineering Practice Act". No warranty of any kind is made by TxDOT for any purpose whatsoever. TxDOT assumes no responsibility for the conversion of this standard to other formats or for incorrect results or damages resulting from its use.

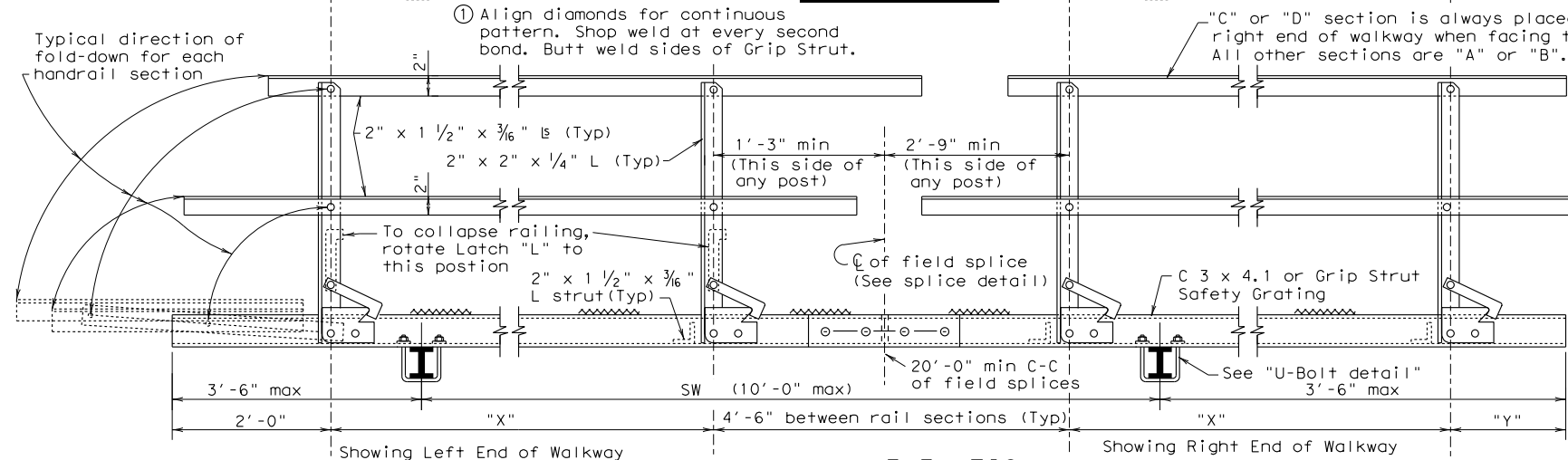
DATE: FILE:

Note: Diamond remnants on cut grating edge of walkway end shall be trimmed flush, or sharp edges removed by grinding.

Steel expanded metal grating. Weight = 4 1/4# (approx) per sq ft ; U.S. Gypsum Grate-X or Steelcrete Walkway Mesh or U.S. Gypsum Grip Strut Safety Grating or approved equal.



WALKWAY PLAN



WALKWAY ELEVATION

10'-0" Maximum spacing for Walkway, Lights and Sign Support Bracket spacing, see sheets SL (MV), and SMD (2-4) EXTRUDED ALUMINUM for other limitations to spacing.

Note: Eliminate C 3 x 4.1 when Grip Strut Safety Grating is used. All other details and materials apply unless otherwise noted.

GENERAL NOTES

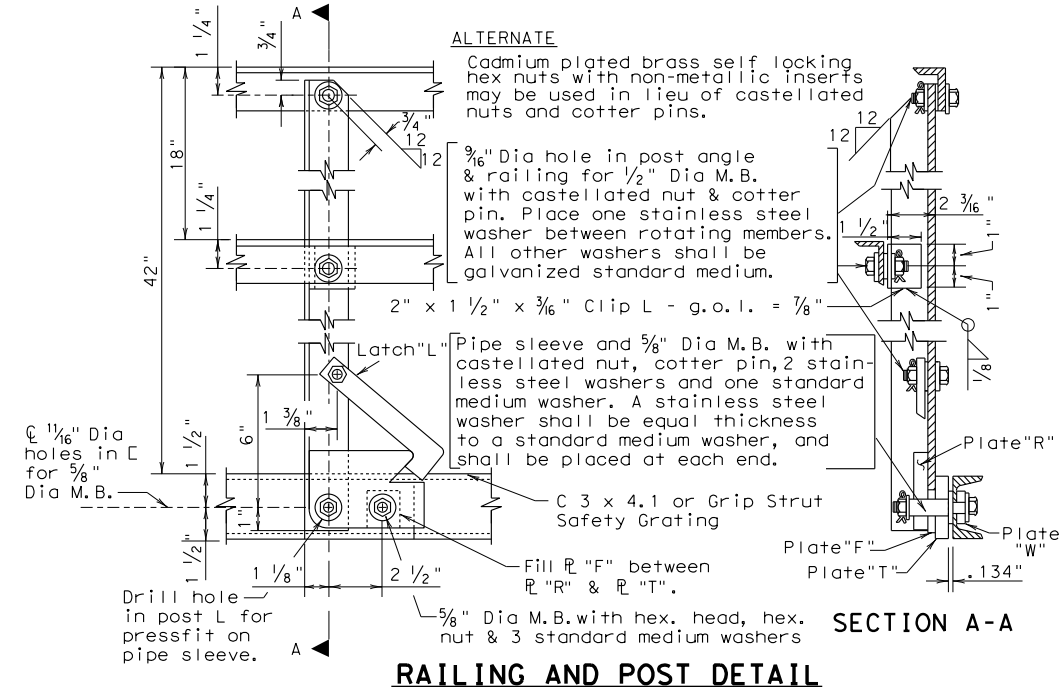
Design conforms to 1994 AASHTO Standard Specifications for Structural Supports for Highway Signs, Luminaires and Traffic Signals and Interim revisions thereto.

Materials, fabrication, construction and erection shall conform to Item 654, "Sign Walkways" and with details, dimensions, and weld procedures shown herein.

Structural steel shall conform with ASTM A36. Bolts shall have hexagon heads and nuts and conform with ASTM A307. Stainless steel pipe bushings shall conform with ASTM A312 Grade TP304. Stainless steel washers shall conform with ASTM A167 Type 302B. All parts, except stainless steel shall be galvanized after fabrication per Item 445, "Galvanizing".

The stainless steel bushings shall be pressed in the rail posts after posts are galvanized.

The walkway and railing shall be shop assembled to check fabrication.



RAILING AND POST DETAIL

After erection, adjust all castellated nuts to remove only excess play in rotation parts then lock in position with cotter pins. Adjust nut on latch "L" for free latch operation.

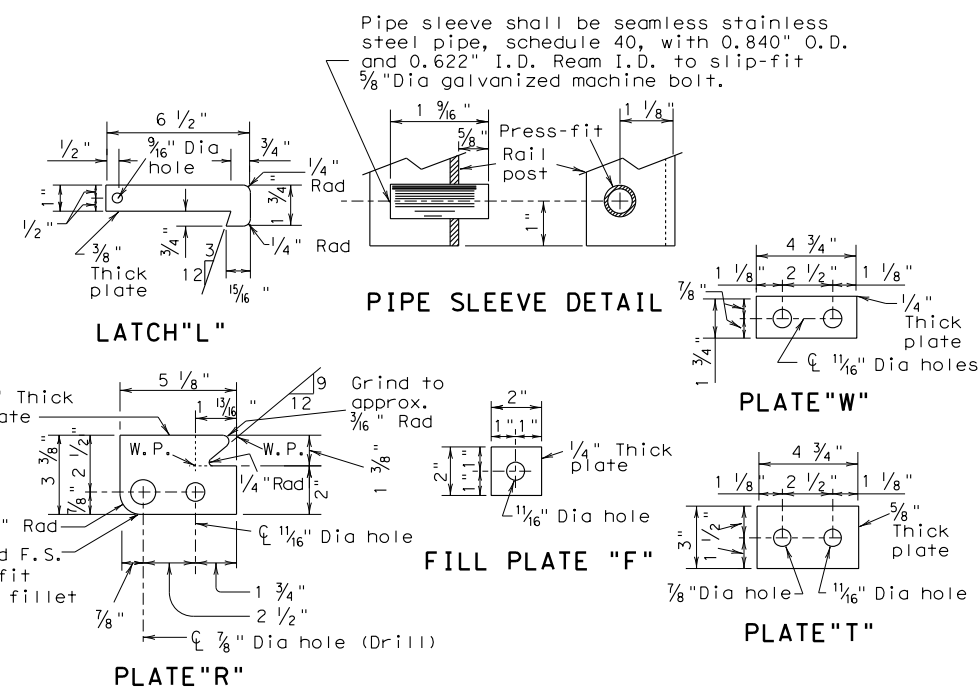


PLATE AND MISCELLANEOUS DETAILS

SHEET 1 OF 2



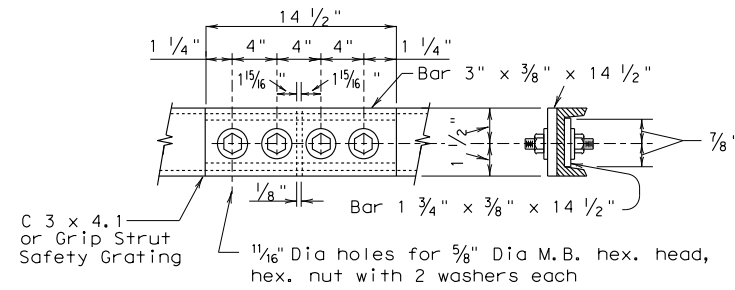
SIGN WALKWAY AND HANDRAIL

SWW(1)-14

FILE: SWW1-14.dgn	DN: TxDOT	CK: TxDOT	DW: TxDOT	CK: TxDOT
© TxDOT April 2014	CONT	SECT	JOB	HIGHWAY
REVISIONS				
DIST	COUNTY			SHEET NO.

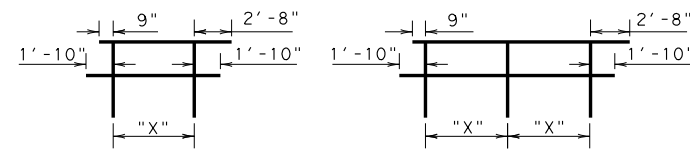
DISCLAIMER: The use of this standard is governed by the "Texas Engineering Practice Act". No warranty of any kind is made by TxDOT for any purpose whatsoever. TxDOT assumes no responsibility for the conversion of this standard to other formats or for incorrect results or damages resulting from its use.

DATE:
FILE:



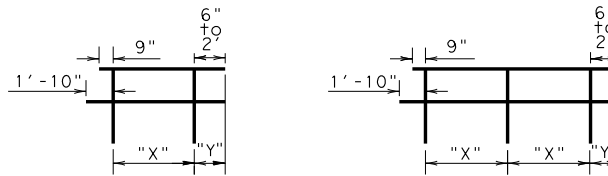
FIELD SPLICE DETAIL

(See WALKWAY ELEVATION for location; sheet 1 of 2)



"A" SECTION

"B" SECTION



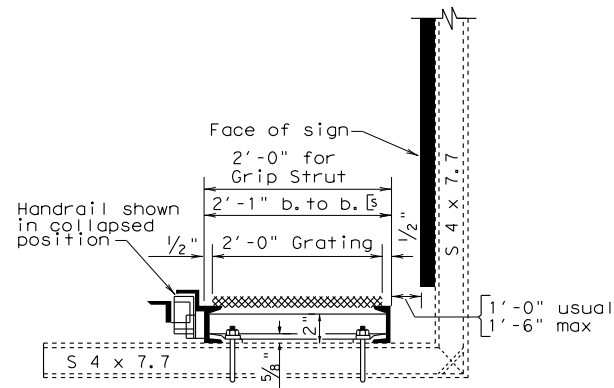
"C" SECTION

"D" SECTION

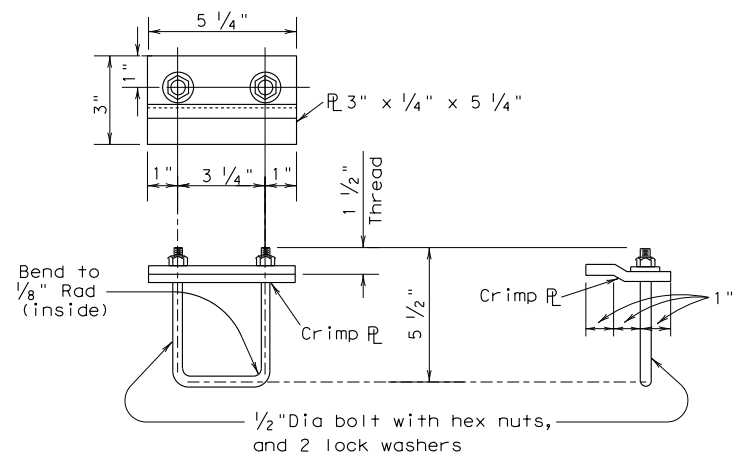
"X" dimension = 8'-0" max. See table for min dimension "X".
 "X" shall be the same for all sections in any one walkway.
 "Y" dimension = 6" usual, but variable between 6" and 2'-0" to obtain maximum dimension for "X" in even inches.

TYPES OF HANDRAIL SECTION

WALKWAY LENGTH	MINIMUM "X" DIMENSION	REQUIRED NO. OF SECTIONS			
		"A"	"B"	"C"	"D"
7'-6" to 12'-0"	1 at 5'-0"	~	~	1	~
12'-6" to 20'-0"	2 at 5'-0"	~	~	~	1
20'-6" to 24'-6"	2 at 6'-9"	1	~	1	~
25'-0" to 32'-6"	3 at 6'-0"	~	1	1	~
33'-0" to 40'-6"	4 at 6'-6"	~	1	~	1
41'-0" to 45'-0"	4 at 7'-4 1/2"	1	1	1	~
45'-6" to 53'-0"	5 at 6'-9"	~	2	1	~
53'-6" to 61'-0"	6 at 7'-0"	~	2	~	1
61'-6" to 73'-6"	7 at 6'-6"	~	3	1	~
74'-0" to 81'-6"	8 at 7'-3"	~	3	~	1
82'-0" to 94'-0"	9 at 6'-10"	~	4	1	~
94'-6" to 102'-0"	10 at 7'-4"	~	4	~	1
102'-6" to 114'-6"	11 at 7'-0"	~	5	1	~
115'-0" to 122'-6"	12 at 7'-6"	~	5	~	1



END VIEW OF WALKWAY



U-BOLT AND CLAMP DETAIL

SHEET 2 OF 2



SIGN WALKWAY AND HANDRAIL

SWW(1) - 14

FILE: SWW1-14.dgn	DN: TxDOT	CK: TxDOT	DW: TxDOT	CK: TxDOT
© TxDOT April 2014	CONT	SECT	JOB	HIGHWAY
REVISIONS				
DIST	COUNTY			SHEET NO.