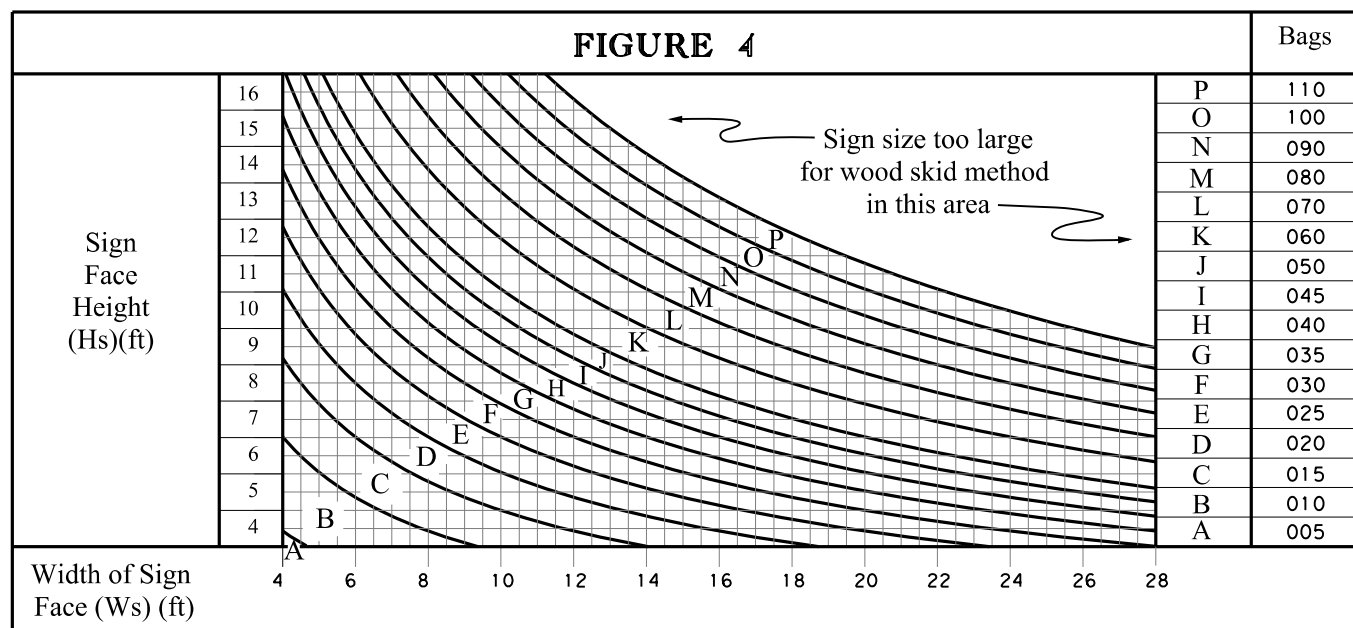
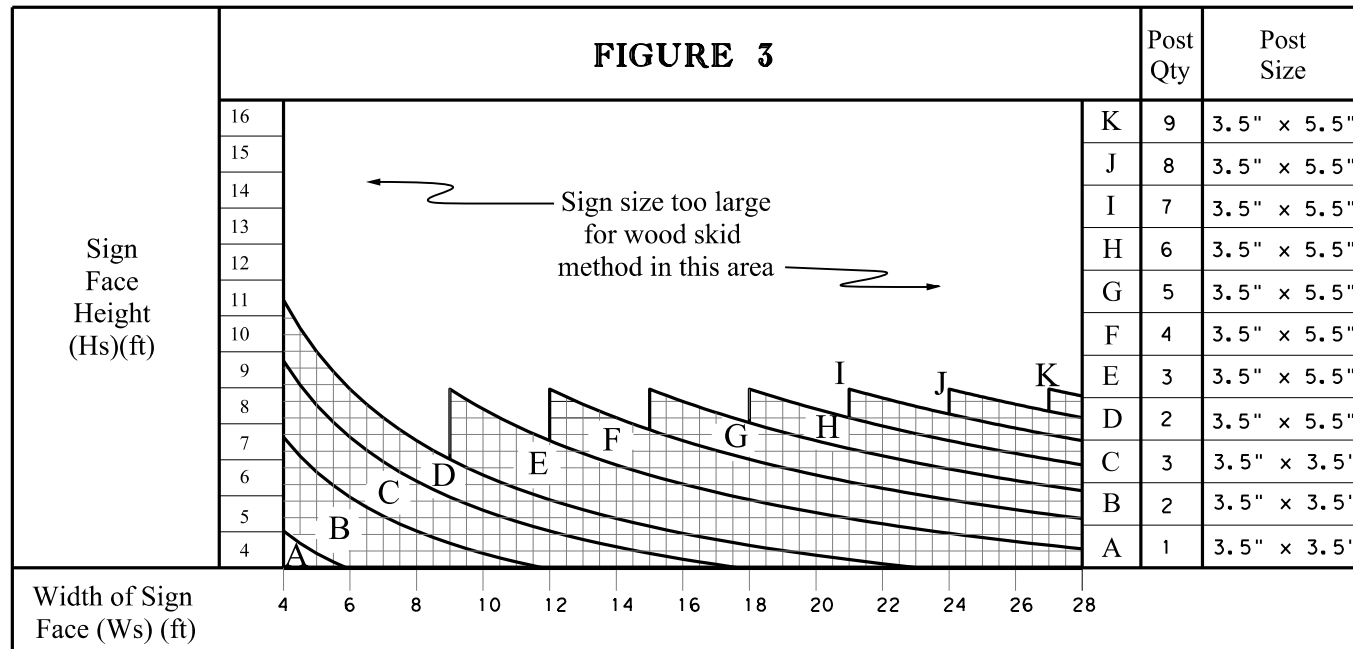


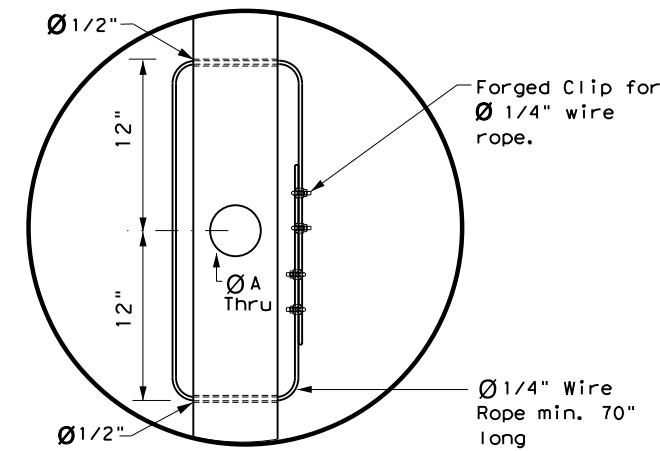
METHOD 3: WOOD SKID

STEPS:

- Step 1. Determine sign height (Hs) and width (Ws). Note that the wood skid method is only intended for use on level terrain. The skid height from ground to bottom of sign is 7'6". If this causes the distance from edge of pavement to the bottom of the sign to be less than 7', the wood skid method is not to be used.
- Step 2. Determine number of 4"x6" (nominal 3.5"x 5.5") posts from Figure 3 below. Determine spacing of posts (A) and distance from edge of sign to outside posts (0.5A) from 'Post Spacing and Sign Placement' detail.
- Step 3. Determine number of 40 pound sandbags from Figure 4.
- Step 4. Assemble skid as shown on TLRS(4) standard. Attach sign (plywood or extruded aluminum) using a method on TLRS(3). Wooden parts are not required to be painted.



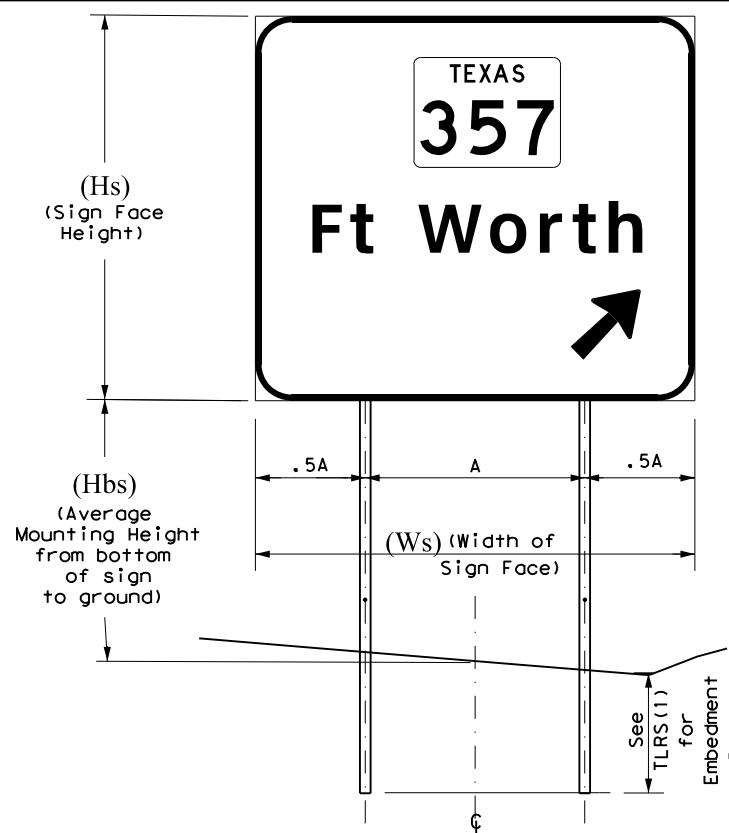
WIRE ROPE BREAKAWAY FEATURE



NOTES:

1. Wire rope breakaway feature required on all wooden posts. This breakaway feature includes the clamped cable with 2 holes to mount the cable, 4 cable clips, and hole A which the cable surrounds.
2. Breakaway feature is designed so wooden post fractures at hole A, with post staying attached to sign structure via the clamped cable.

POST SPACING AND SIGN PLACEMENT



WOODEN POST SPACING NOTES:

1. Spacing between posts: $A = Ws / \# \text{ of posts required}$
2. Spacing between edge of sign and outside posts: $0.5A$

STEEL POST SPACING NOTE:

See SMD(2-3) for post spacing unless reusing existing sign posts.

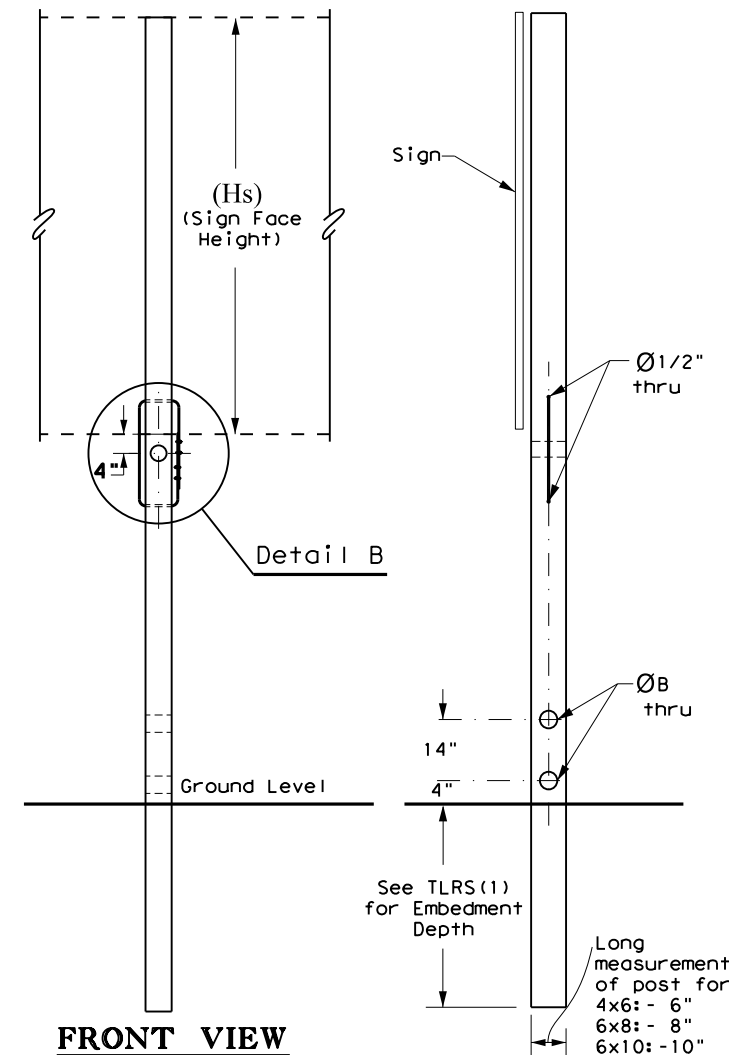
SIGN PLACEMENT NOTE:

See SMD(2-3) for sign placement details.

WOOD POST

TABLE 4

Support Size	ØA	ØB
4x6	1 1/2"	2"
6x8	3 5/8"	4"
6x10	3 5/8"	4"



NOTE:

All holes shown here are required for breakaway features to function properly.

SHEET 2 OF 4



TEMPORARY LARGE ROADSIDE SIGNS

TLRS(2) - 17

FILE: flrs-17.dgn	DN:	CK:	DW:	CK:
© TxDOT May 2017	CONT	SECT	JOB	HIGHWAY
REVISIONS	DIST	COUNTY	SHEET NO.	

DISCLAIMER: The use of this standard is governed by the "Texas Engineering Practice Act". No warranty of any kind is made by TxDOT for any purpose whatsoever. TxDOT assumes no responsibility for the conversion of this standard to other formats or for incorrect results or damages resulting from its use.

DATE: FILE: