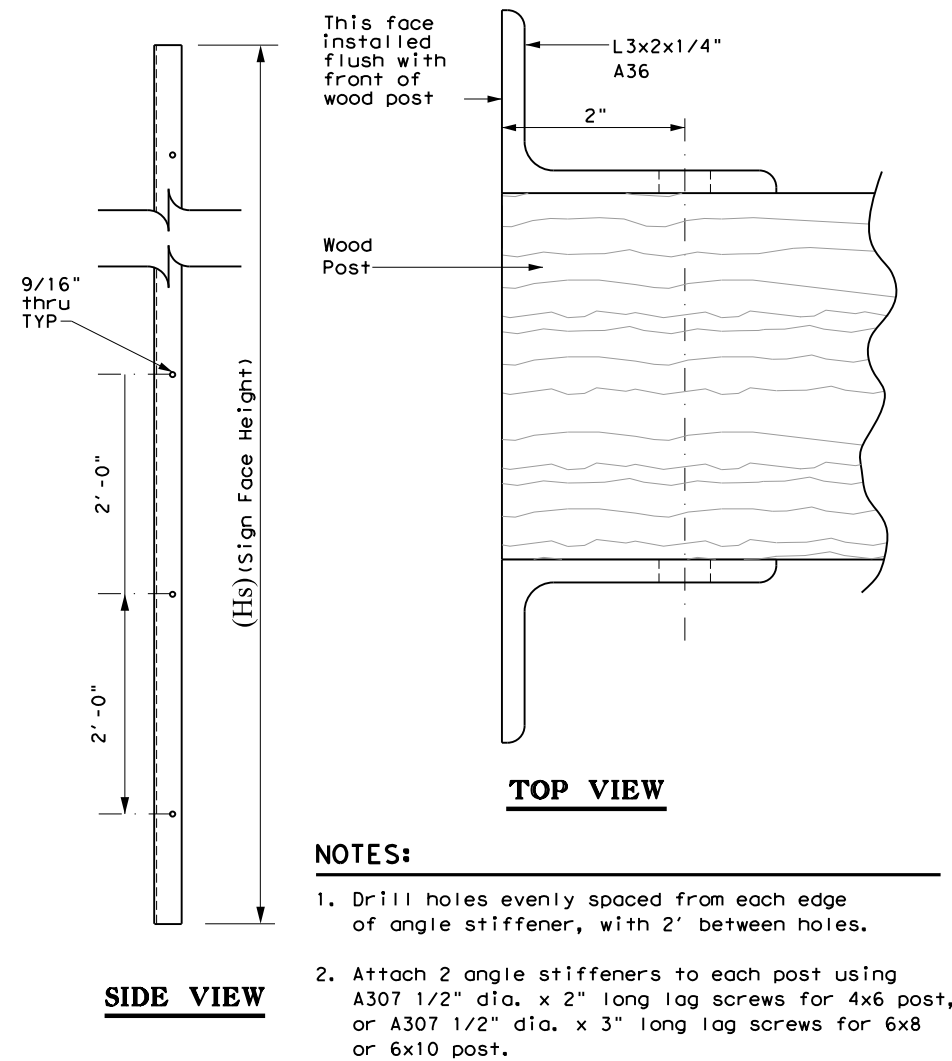


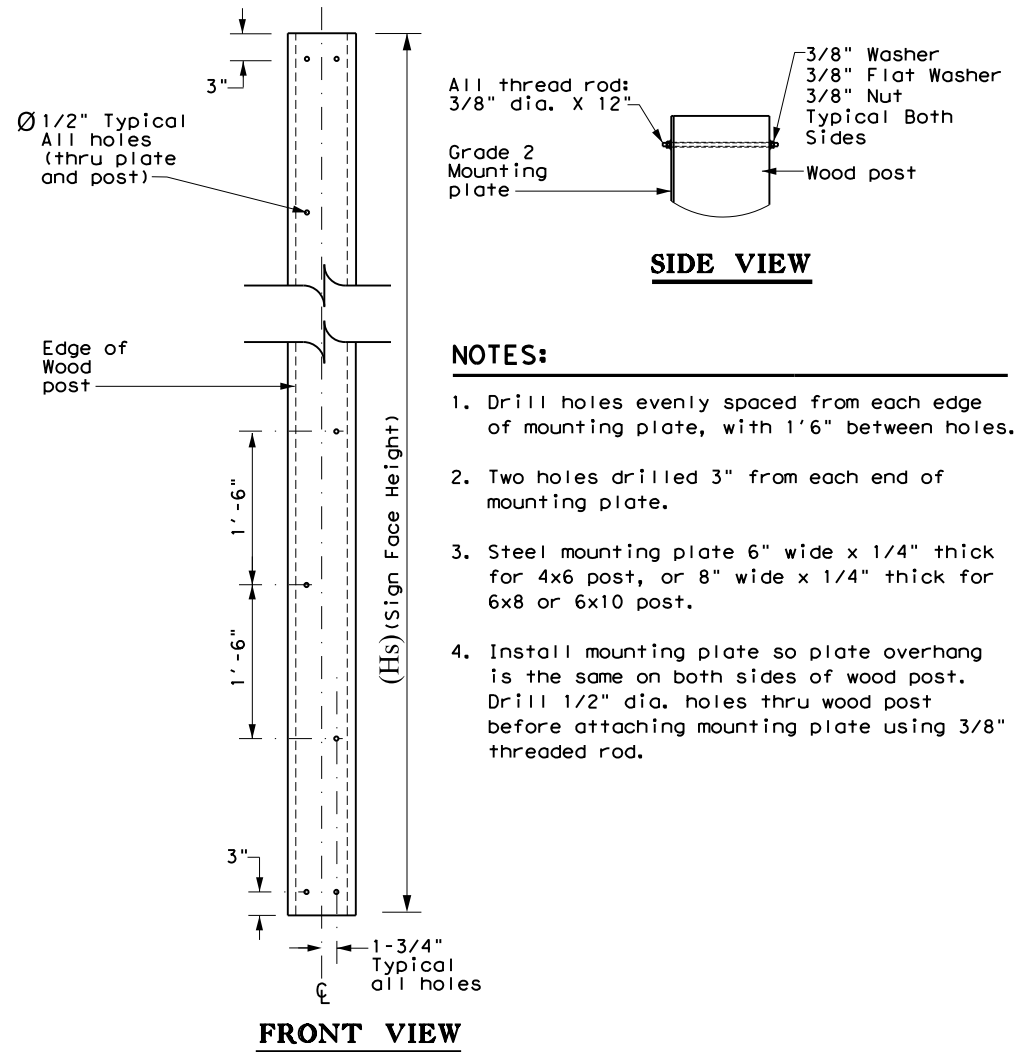
DISCLAIMER: The use of this standard is governed by the "Texas Engineering Practice Act". No warranty of any kind is made by TxDOT for any purpose whatsoever. TxDOT assumes no responsibility for the conversion of this standard to other formats or for incorrect results or damages resulting from its use.

DATE:
FILE:

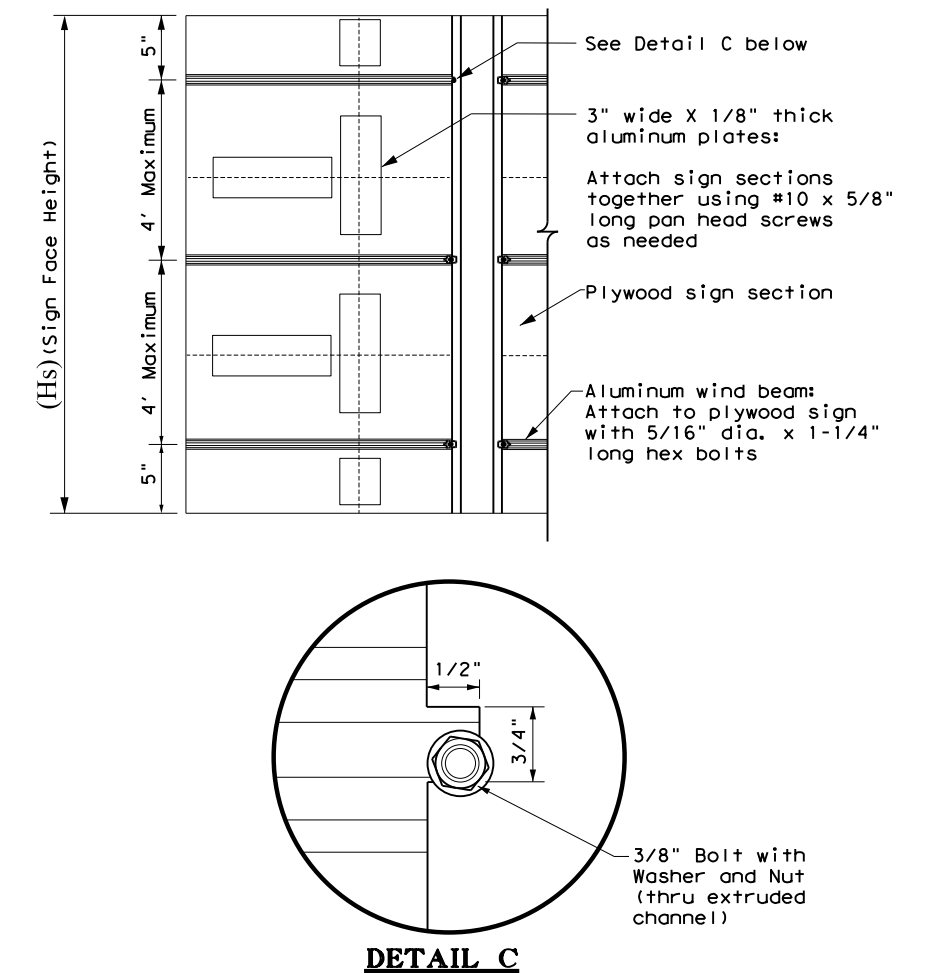
ANGLE STIFFENER METHOD (WOOD POST)



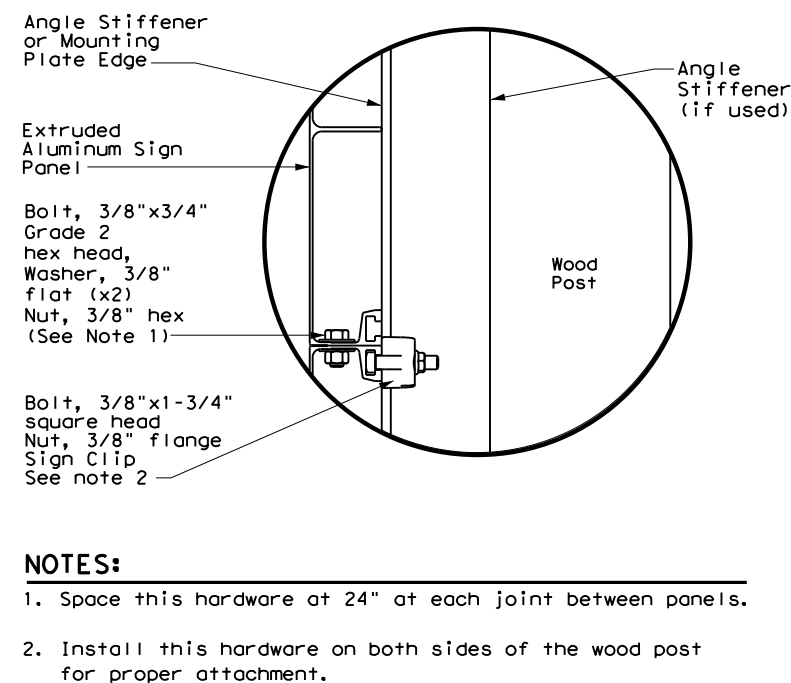
MOUNTING PLATE METHOD (WOOD POST)



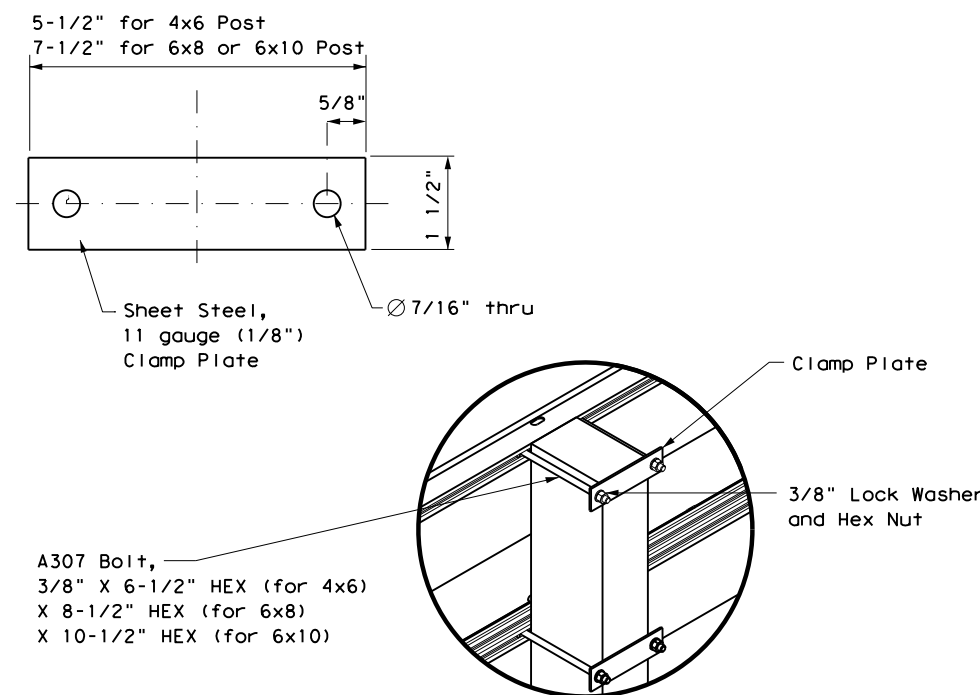
MOUNTING A PLYWOOD SIGN



MOUNTING PLATE AND ANGLE STIFFENER ATTACHMENT TO EXTRUDED ALUMINUM SIGN



CLAMP PLATE METHOD (WOOD POST)



SHEET 3 OF 4

		Traffic Operations Division Standard	
<h2>TEMPORARY LARGE ROADSIDE SIGNS: MOUNTING DETAILS</h2> <h3>TLRS (3) - 17</h3>			
FILE: flrs-17.dgn	DW: _____	CK: _____	CK: _____
© TxDOT May 2017	CONT	SECT	JOB
REVISIONS			HIGHWAY
	DIST	COUNTY	SHEET NO.