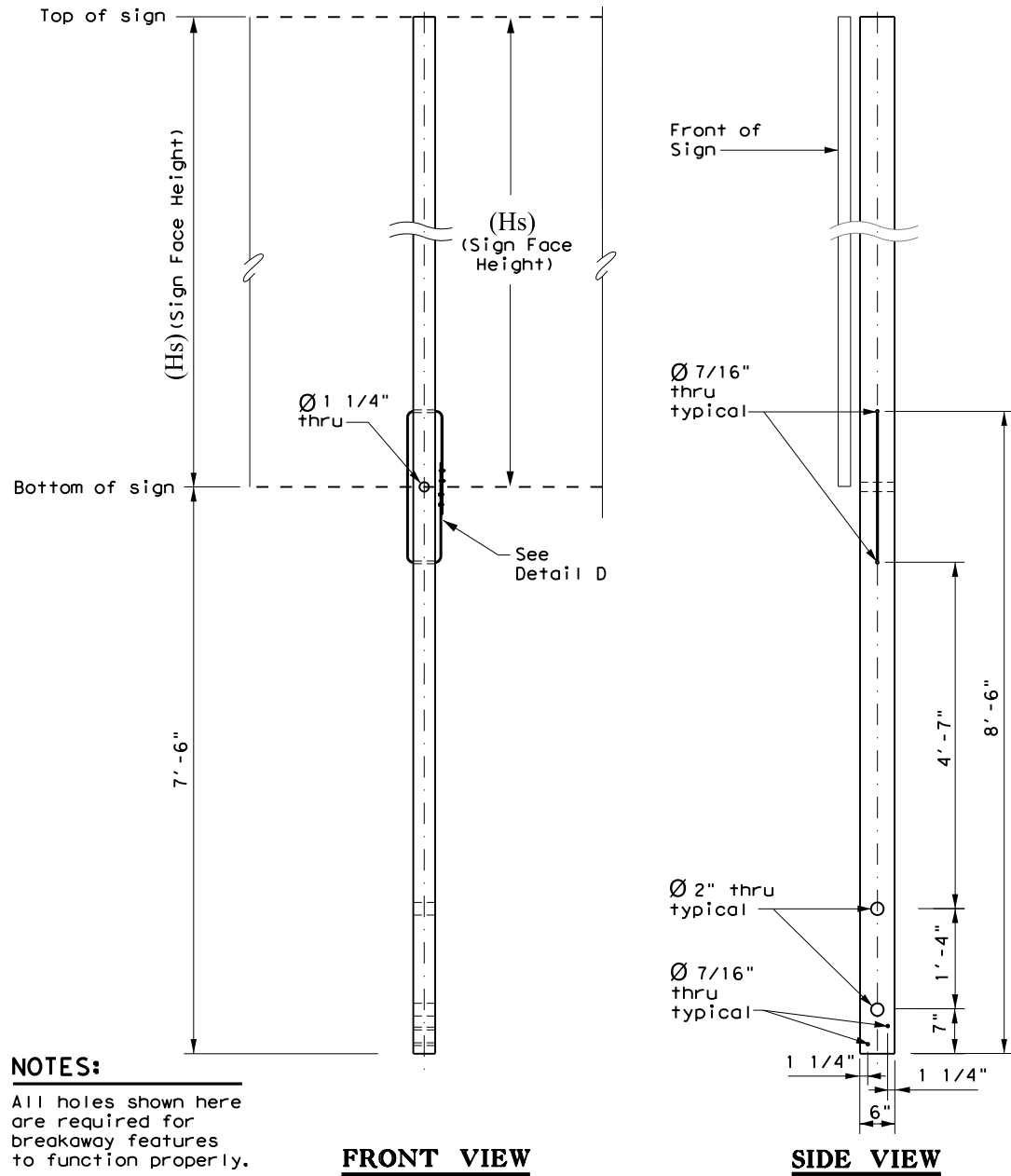


DISCLAIMER: The use of this standard is governed by the "Texas Engineering Practice Act". No warranty of any kind is made by TxDOT for any purpose whatsoever. TxDOT assumes no responsibility for the conversion of this standard to other formats or for incorrect results or damages resulting from its use.

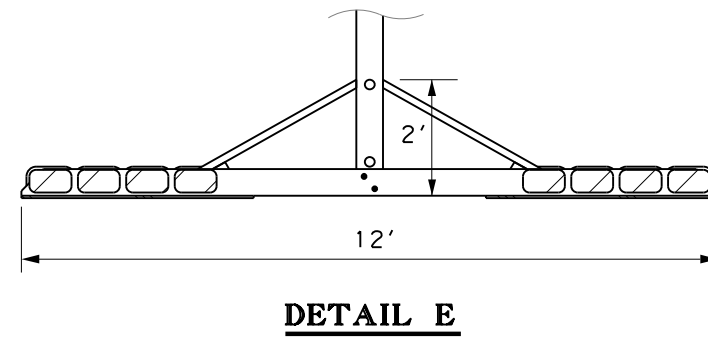
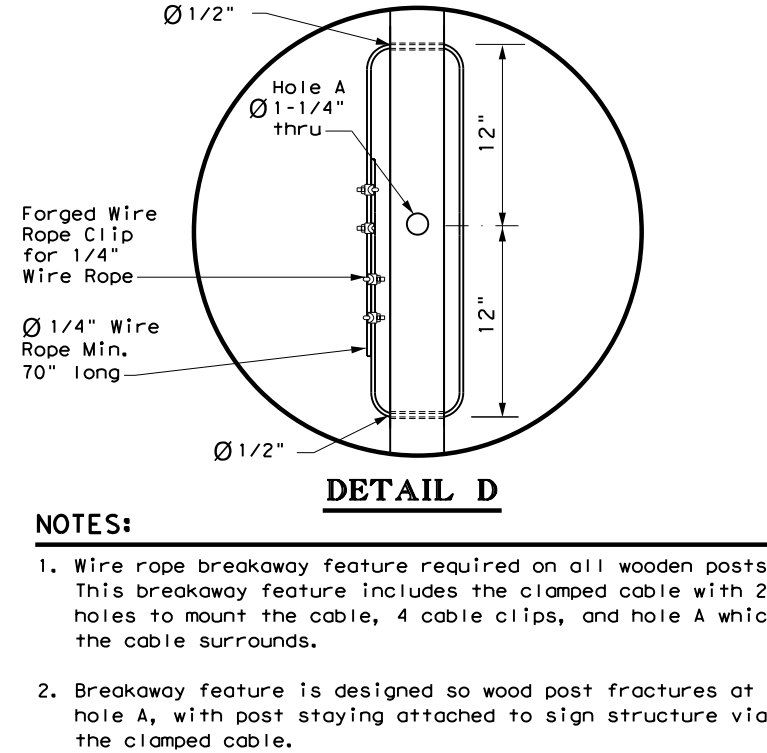
WOOD POST (4 x 6)



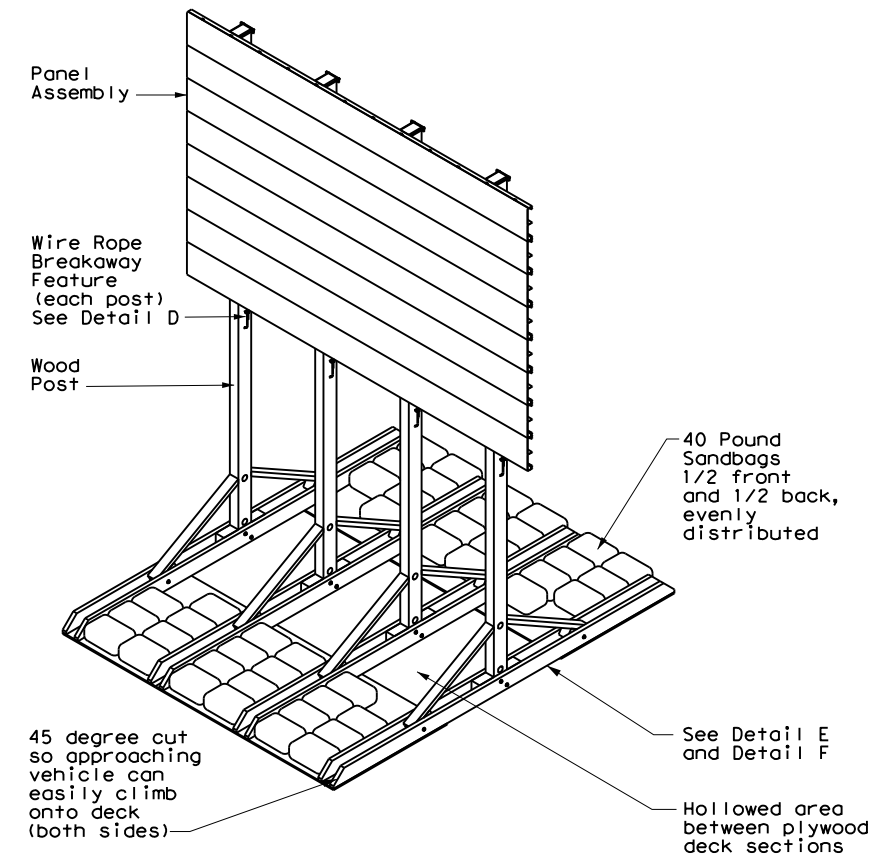
NOTES:

All holes shown here are required for breakaway features to function properly.

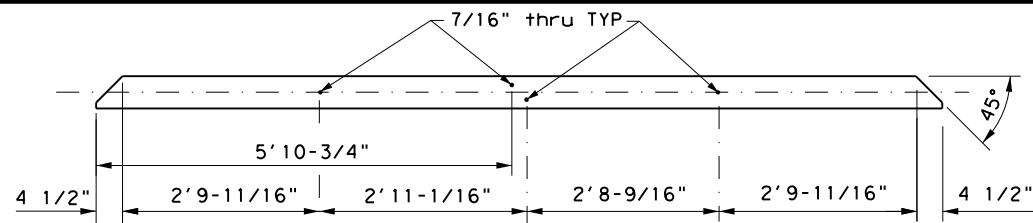
WIRE ROPE BREAKAWAY FEATURE



WOOD SKID



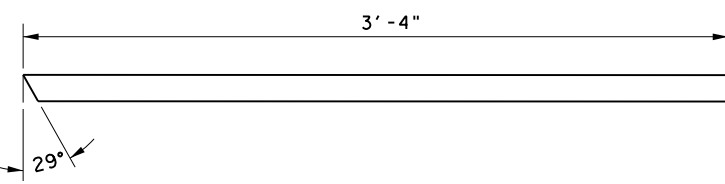
SKID (2 x 6)



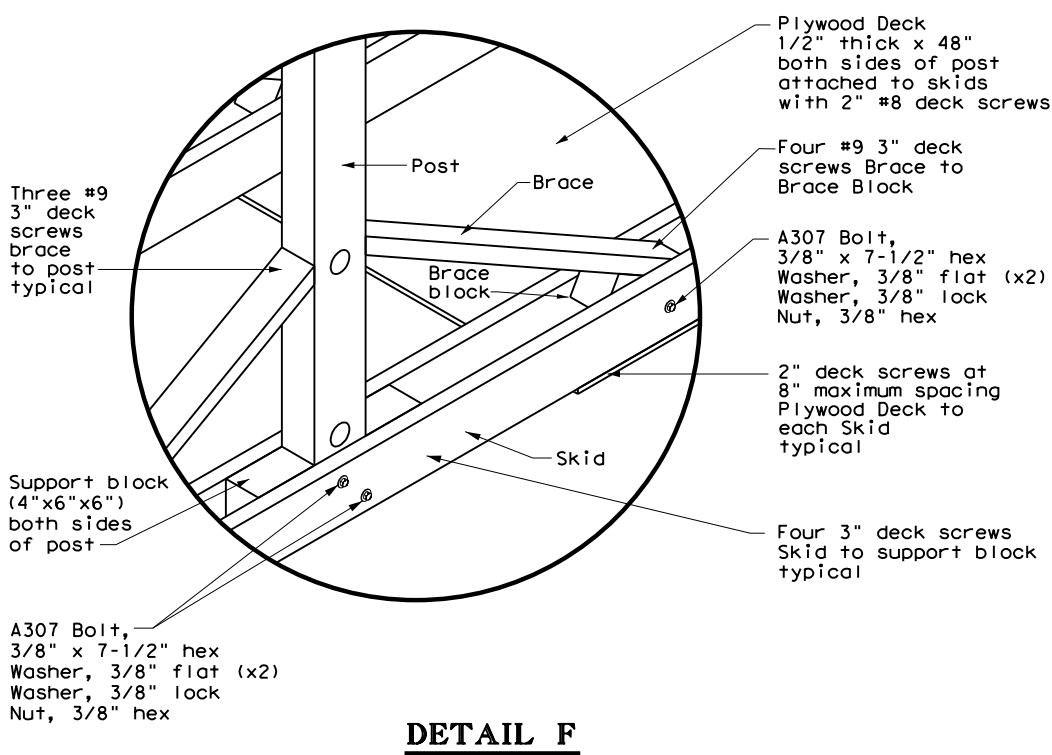
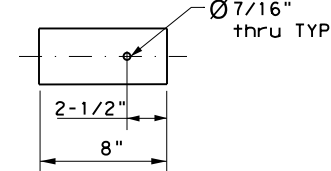
NOTES:

The 2 center holes are drilled 1-1/4" above and below skid centerline for attachment to post.

BRACE (2 x 4)



BRACE BLOCK (4 x 4)



NOTE:

Contractor shall have the option to use another method to support the sandbags, provided the material under the sandbags does not exceed 0.75" in height. Examples include use of marine grade plywood or composite decking. Contractor may drill holes in plywood as needed for drainage.

SHEET 4 OF 4



TEMPORARY LARGE ROADSIDE SIGNS: WOOD SKID

TLRS (4) - 17

FILE: flrs-17.dgn	DW:	CK:	DW:	CK:
© TxDOT May 2017	CONT	SECT	JOB	HIGHWAY
REVISIONS				
DIST	COUNTY		SHEET NO.	

DATE:
FILE:

1170