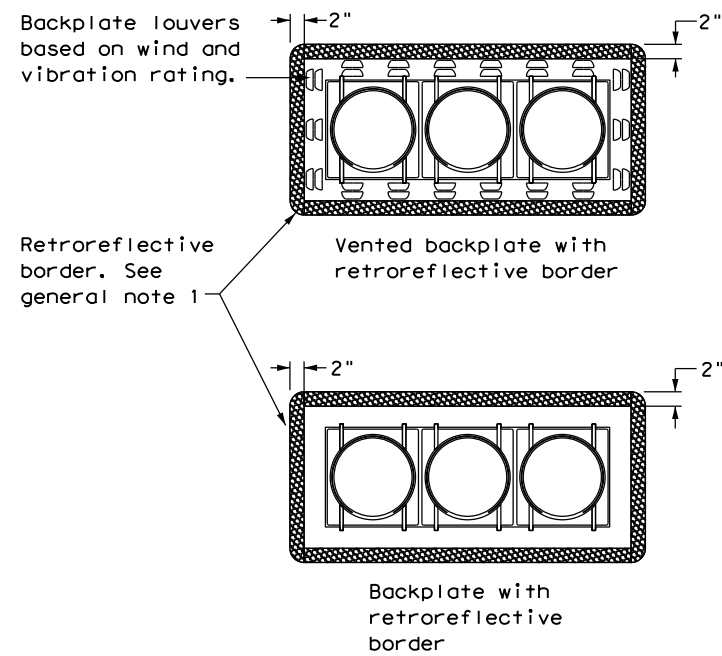
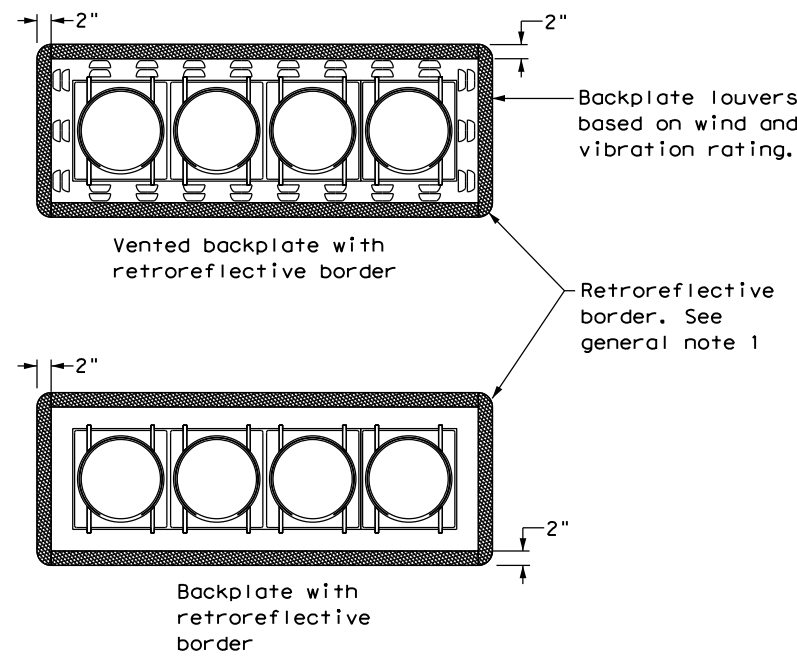


DISCLAIMER: The use of this standard is governed by the "Texas Engineering Practice Act". No warranty of any kind is made by TxDOT for any purpose whatsoever. TxDOT assumes no responsibility for the conversion of this standard to other formats or for incorrect results or damages resulting from its use.

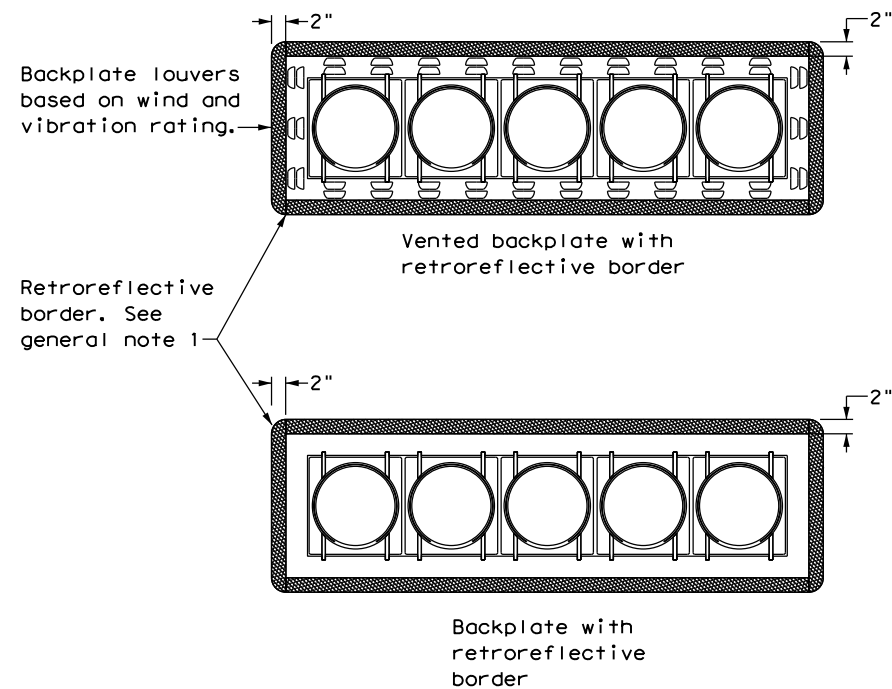
DATE:
FILE:



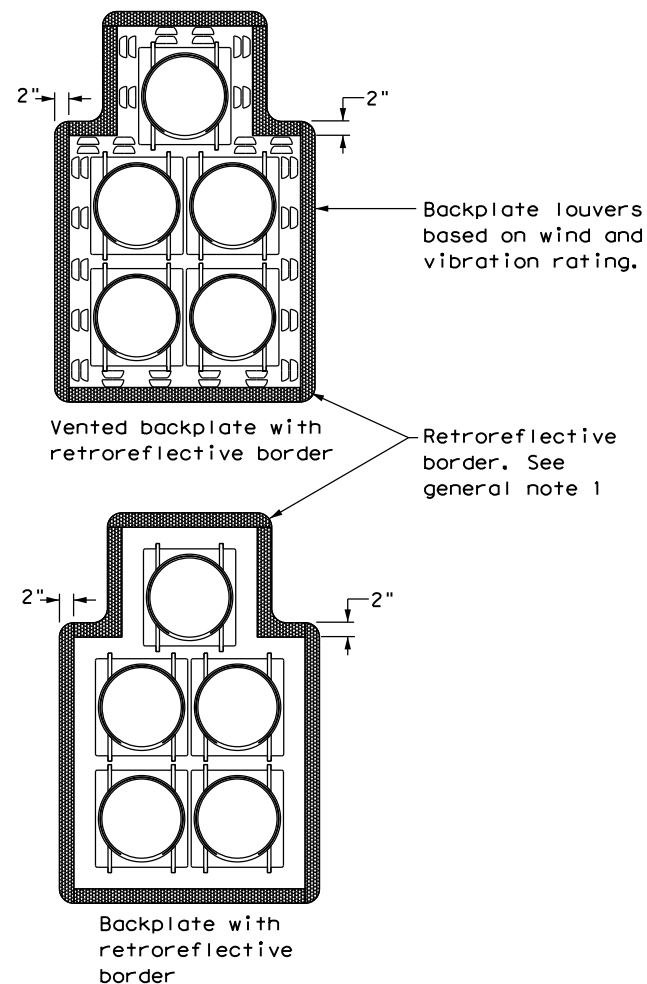
THREE-SECTION HEAD
HORIZONTAL OR VERTICAL



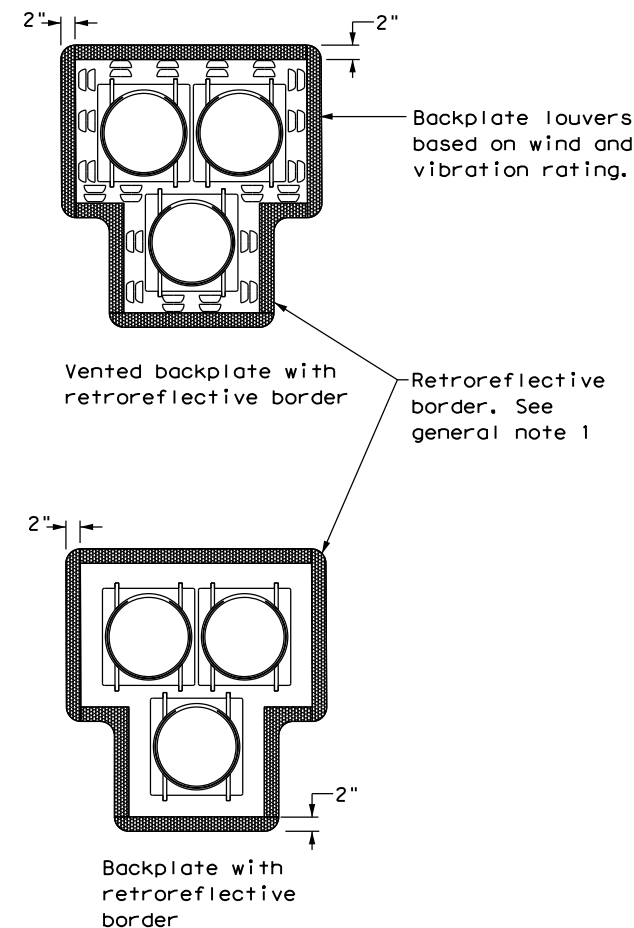
FOUR-SECTION HEAD
HORIZONTAL OR VERTICAL



FIVE-SECTION HEAD
HORIZONTAL OR VERTICAL



FIVE-SECTION HEAD
CLUSTER



PEDESTRIAN HYBRID
BEACON

GENERAL NOTES:

1. Backplates are optional for traffic signals and pedestrian hybrid beacons. When backplates are used, a 2-inch wide fluorescent yellow AASHTO Type B_{FL} or C_{FL} retroreflective border conforming to TxDOT DMS-8300 is required. Place on all approaches when used.
2. Signal head and backplate compatibility must be verified by the contractor prior to installation.
3. When using backplates on signal heads, venting is preferred to reduce cyclic vibration stress.
4. When a vented backplate is used, the retroreflective border must not be placed over the louvers.
5. This standard sheet applies to all signal heads with backplates, including but not limited to:
 - Pole mounted
 - Overhead mounted
 - Span wire mounted
 - Mast arm mounted
 - Vertical signal heads
 - Horizontal signal heads
 - Clustered signal heads
 - Pedestrian hybrid beacons

		Texas Department of Transportation		Traffic Safety Division Standard	
TRAFFIC SIGNAL HEAD WITH BACKPLATE					
TS-BP-20					
FILE: ts-bp-20.dgn	DN: TxDOT	CK: TxDOT	DW: TxDOT	CK: TxDOT	
© TxDOT June 2020	CONT	SECT	JOB	HIGHWAY	
REVISIONS		DIST		COUNTY	SHEET NO.