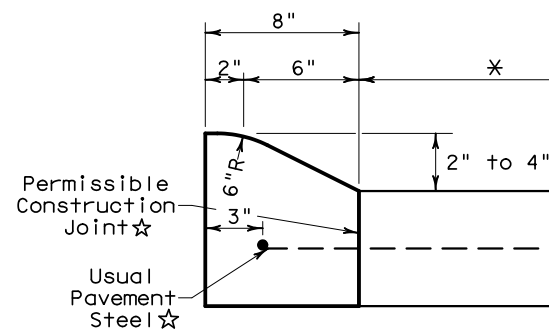


DISCLAIMER: The use of this standard is governed by the "Texas Engineering Practice Act". No warranty of any kind is made by TxDOT for any purpose whatsoever. TxDOT assumes no responsibility for the conversion of this standard to other formats or for incorrect results or damages resulting from its use.

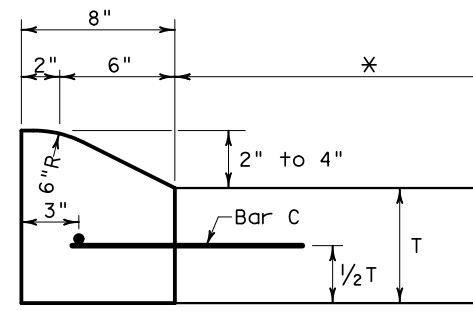
cccgfw.dgn

http://www.dot.state.tx.us/ftw/specinfo/standard.htm

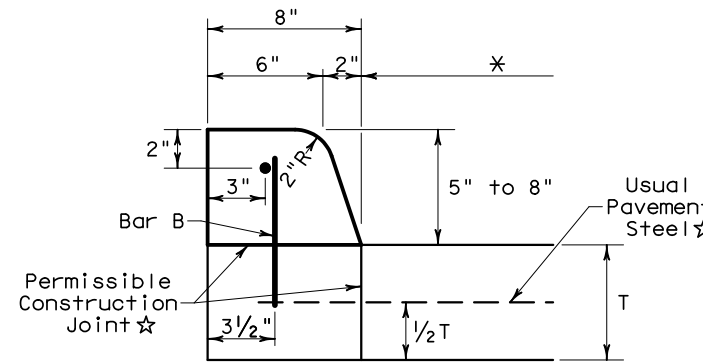
LEVELS DISPLAYED	16
1	



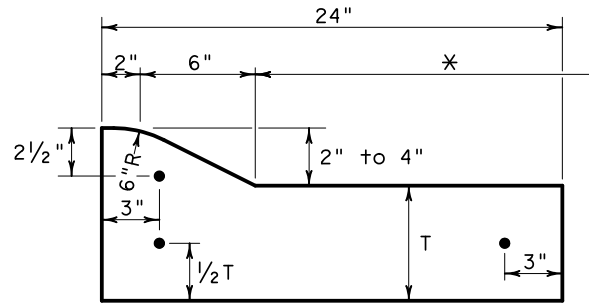
TYPE I CURB (MONOLITHIC)  
2" - 4" HEIGHT



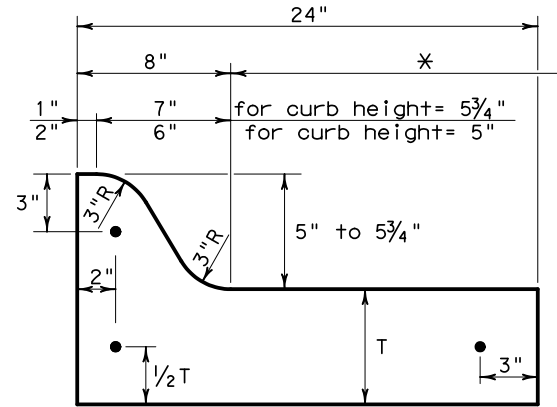
TYPE I CURB  
2" - 4" HEIGHT



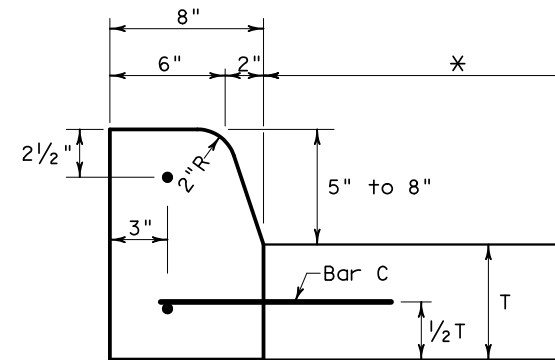
TYPE II CURB (MONOLITHIC)  
5" - 8" HEIGHT



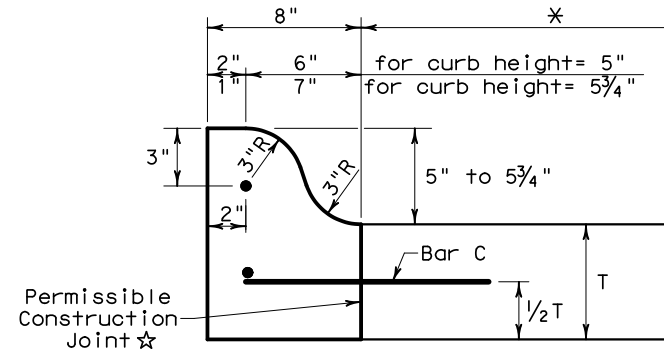
TYPE I CURB AND GUTTER  
2" - 4" HEIGHT



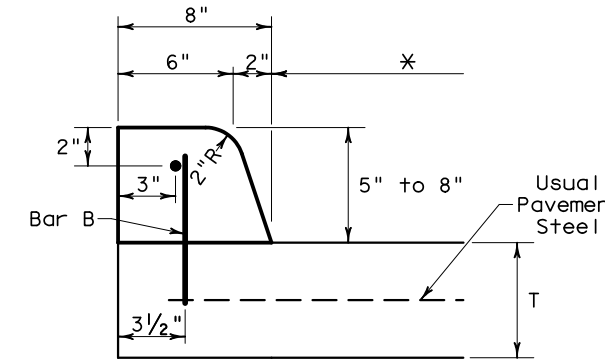
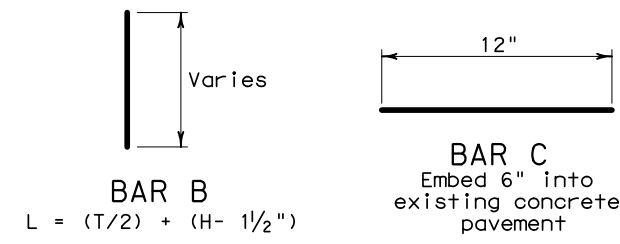
TYPE I CURB AND GUTTER  
5" - 5 3/4" HEIGHT



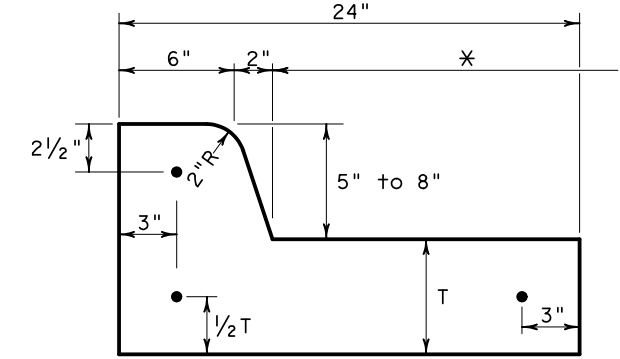
TYPE II CURB  
5" - 8" HEIGHT  
SHOWING DOWELED VERTICAL JOINT



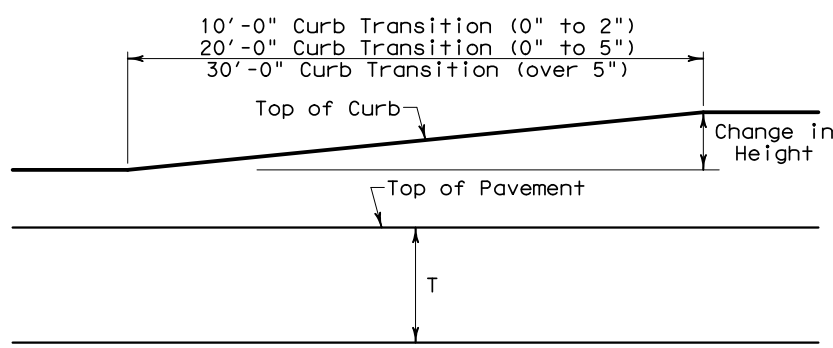
TYPE I CURB  
5" - 5 3/4" HEIGHT



TYPE II CURB  
5" - 8" HEIGHT  
SHOWING DOWELED HORIZONTAL JOINT

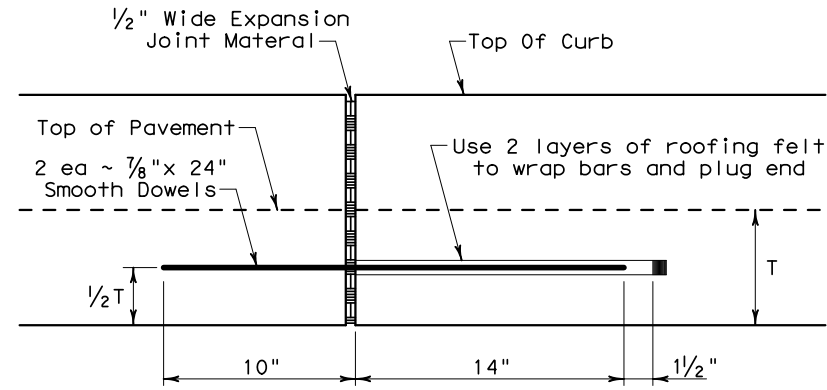


TYPE II CURB AND GUTTER  
5" - 8" HEIGHT



CURB TRANSITION

Note: To be paid for as Highest Curb



EXPANSION JOINT DETAIL

- TYPE I-A = 2" HEIGHT
- TYPE I-B = 3" HEIGHT
- TYPE I-C = 4" HEIGHT
- TYPE I-D = 5" HEIGHT
- TYPE I-E = 5 3/4" HEIGHT

- TYPE II-A = 5" - 5 3/4" HEIGHT
- TYPE II-B = 6" - 6 3/4" HEIGHT
- TYPE II-C = 7" - 7 3/4" HEIGHT
- TYPE II-D = > 7 3/4" HEIGHT

(See General Notes)

**General Notes**

Maximum height for Type I curb or curb and gutter shall be 5 3/4".

All existing curbs and driveways to be removed shall be sawed or removed at existing joints.

Where concrete curb is placed on existing concrete pavement, the pavement shall be drilled (5/8" dia.) and the reinforcing bars grouted in place or secured with Epoxy conforming to Departmental Material Specification DMS 6100, "Epoxy and Adhesives", Class III.

Expansion and contraction joints shall be constructed to match pavement joints in all curbs and curb and gutter adjacent to jointed concrete pavement. Where placement of curb or curb and gutter is not adjacent to concrete pavement, expansion joints shall be provided at structures, curb returns at streets, and at locations directed by The Engineer.

All reinforcing bars shall be No.4 unless otherwise shown.

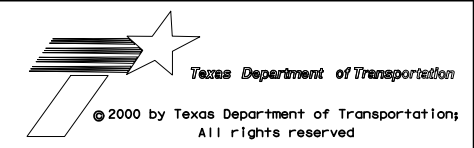
Vertical and horizontal dowel bars and transverse reinforcing bars shall be placed at four feet C-C.

Dimension 'T' shown above is the thickness of concrete pavement or flexible base and surface (8" maximum).

\* Usual profile grade line. Refer to typical sections and plan-profile sheets for exact locations.

One-half inch expansion joint material shall be provided where curb or curb and gutter is adjacent to sidewalk or riprap.

☆ When vertical permissible construction joints are used, resulting in a longitudinal construction joint in the pavement, the longitudinal pavement steel shall be placed in accordance with pavement details shown elsewhere in the plans for longitudinal construction joints. Reinforcing steel for curb section shall then conform to that required for concrete curb.



**CONCRETE CURB AND GUTTER DETAILS  
CC-CG (FW)**

ORIG DRAW MAR 2000	FED. RD. DIV. NO. 6	PROJECT NO.	SHEET NO.
REVISIONS:			
March 2002 - Revised Curb Types to comply with statewide standards.	STATE	DIST. NO.	COUNTY
Oct 2005 - Added sub-types for heights, to comply with 2004 Spec Book clarified construction methods.	TEXAS	FTW	
January 2008 - Epoxy Type	CONT.	SECT.	JOB
			HIGHWAY NO.