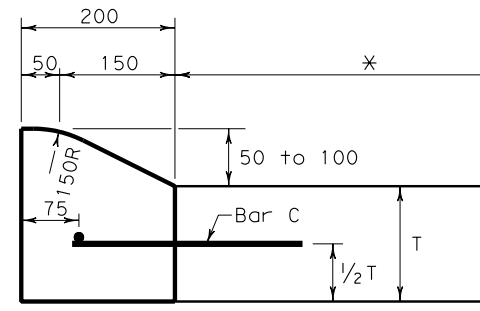
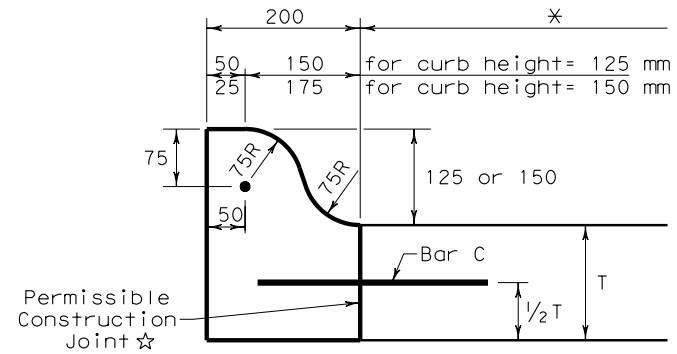


TYPE I CURB (MONOLITHIC)  
50 - 100 mm HEIGHT



TYPE I CURB (ADD-ON)  
50 - 100 mm HEIGHT



TYPE I CURB (MOUNTABLE)  
125 - 150 mm HEIGHT

**General Notes**

All existing curbs and driveways to be removed shall be sawed or removed at existing joints.

Where concrete curb is placed on existing concrete pavement, the pavement shall be drilled and the reinforcing bars grouted in place.

Expansion and contraction joints shall be constructed to match pavement joints in all curbs and curb and gutter adjacent to jointed concrete pavement. Where placement of curb or curb and gutter is not adjacent to concrete pavement, expansion joints shall be provided at structures, curb returns at streets, and at locations directed by The Engineer.

All reinforcing bars shall be No.4 unless otherwise shown.

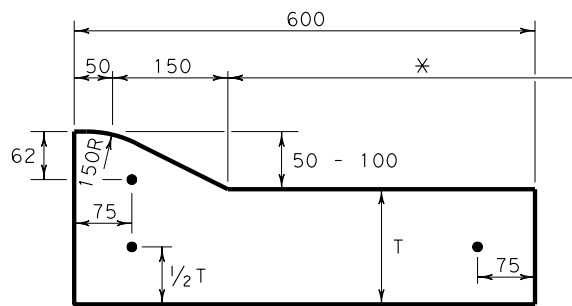
Vertical and horizontal dowel bars and transverse reinforcing bars shall be placed at 1200 mm C-C.

Dimension 'T' shown above is the thickness of concrete pavement or flexible base and surface (200 mm maximum).

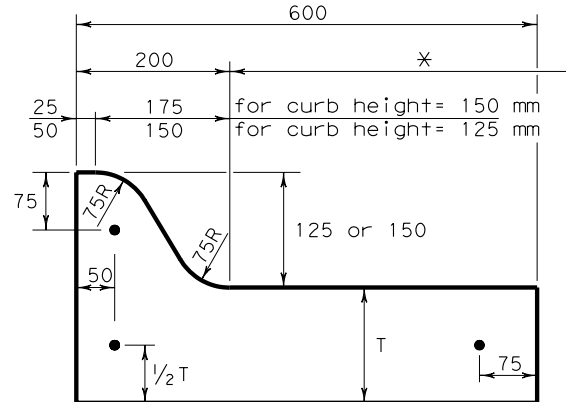
\*Usual profile grade line. Refer to typical sections and plan-profile sheets for exact locations.

One-half inch expansion joint material shall be provided where curb or curb and gutter is adjacent to sidewalk or riprap.

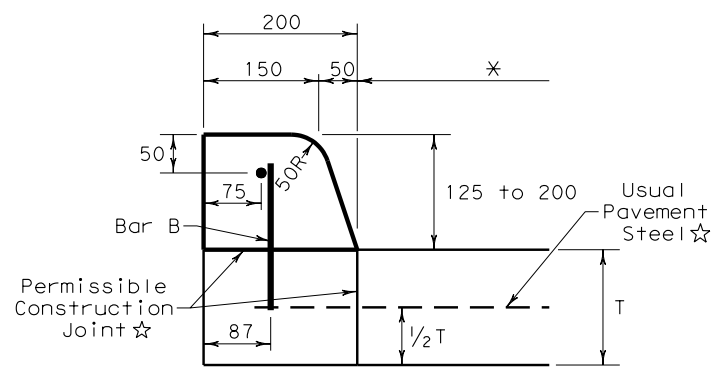
☆When vertical permissible construction joints are used, resulting in a longitudinal construction joint in the pavement, the longitudinal pavement steel shall be placed in accordance with pavement details shown elsewhere in the plans for longitudinal construction joints. Reinforcing steel for curb section shall then conform to that required for concrete curb.



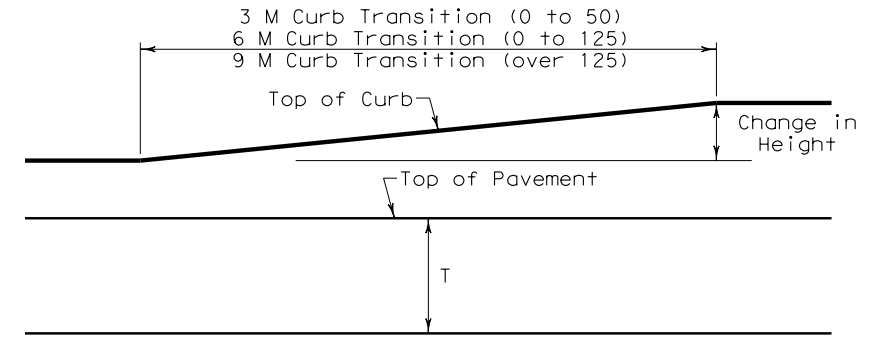
TYPE I CURB AND GUTTER  
50 - 100 mm HEIGHT



TYPE I CURB AND GUTTER (MOUNTABLE)  
125 - 150 mm HEIGHT

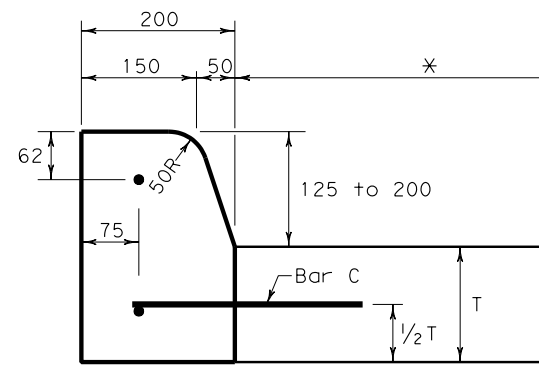
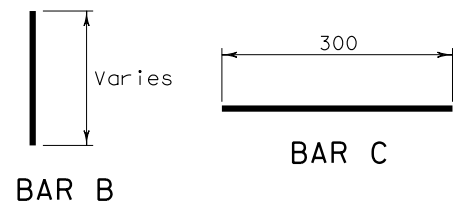


TYPE II CURB (MONOLITHIC)  
125 - 200 mm HEIGHT

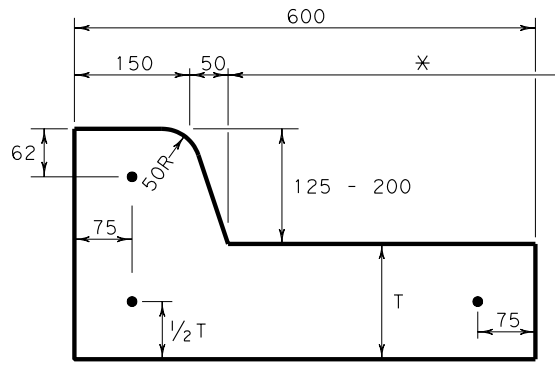


CURB TRANSITION

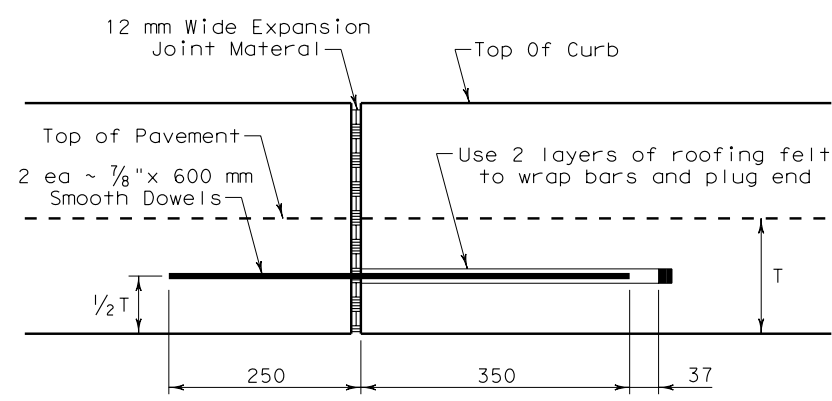
Note: To be paid for as Highest Curb



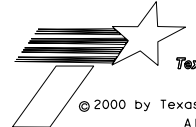
TYPE II CURB (ADD-ON)  
125 - 200 mm HEIGHT



TYPE II CURB AND GUTTER  
125 - 200 mm HEIGHT



EXPANSION JOINT DETAIL

  
 Texas Department of Transportation  
 © 2000 by Texas Department of Transportation; All rights reserved.

**CONCRETE CURB AND GUTTER DETAILS**  
**CC-CG (FW) (M)**

ORIG. DRAW	MAR 2000	REV. NO.	PROJECT NO.
		6	
REVISIONS: March 2002 - Revised Curb Types to comply with statewide standards.			
STATE	DIST. NO.	COUNTY	
TEXAS	FTW		
CONT.	SECT.	JOB	HIGHWAY NO.

\\public\standard\cccgfw.dgn