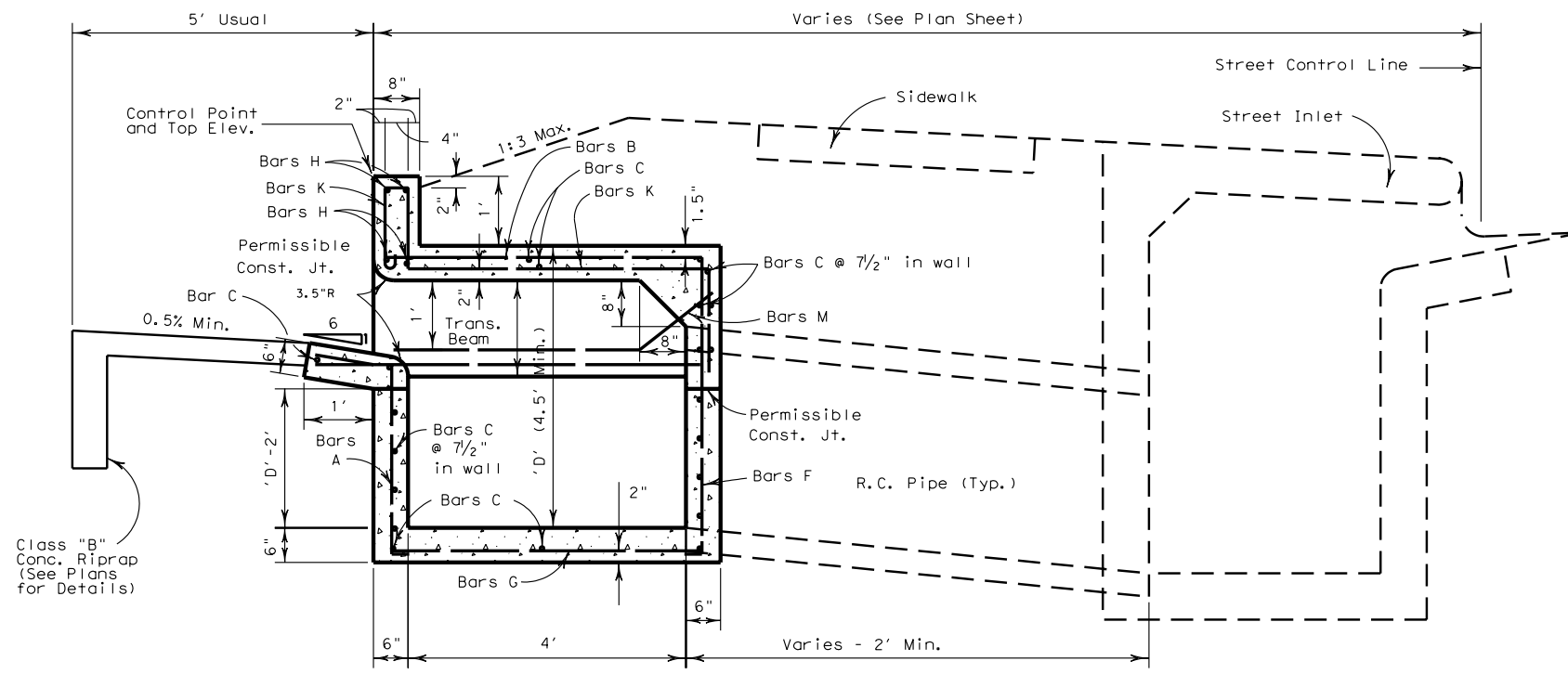


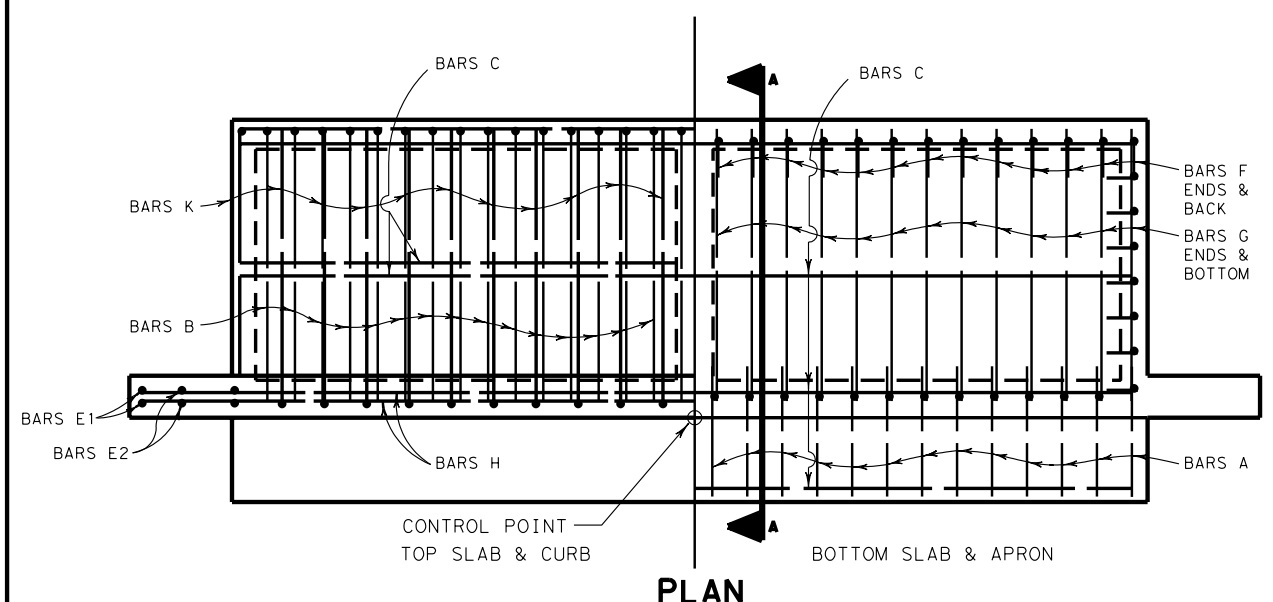
DISCLAIMER: Use of this standard is governed by the "Texas Engineering Practice Act." The quantity of work kind is made by TXDOT for those whose, however, TXDOT assumes no responsibility for the conversion of this standard to other formats or for incorrect results or damages resulting from its use.

http://www.dot.state.tx.us/ftw/spec/info/standard.htm chi-02fw.dgn

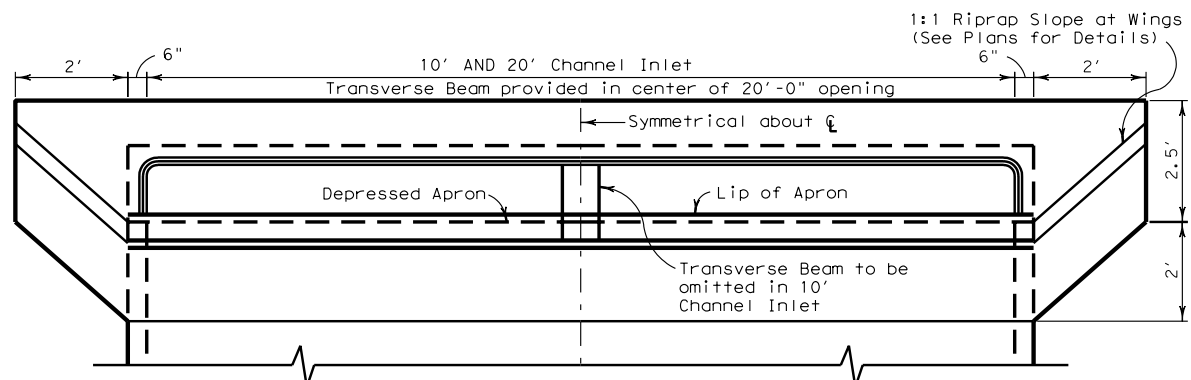
LEVELS DISPLAYED	1	2	3	4	5	6	7



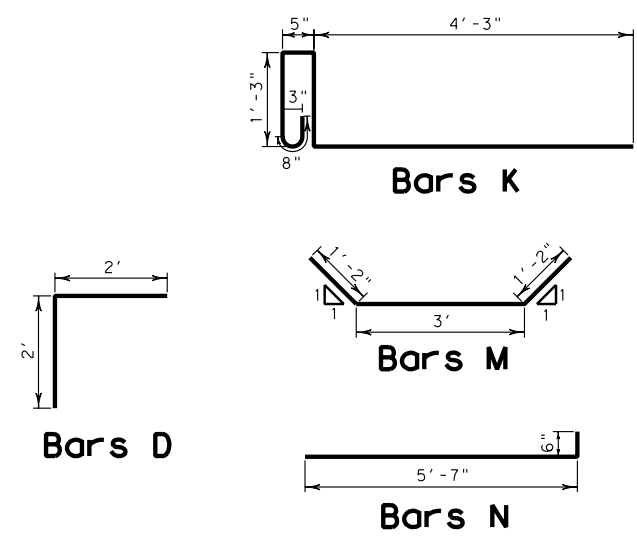
SECTION A-A



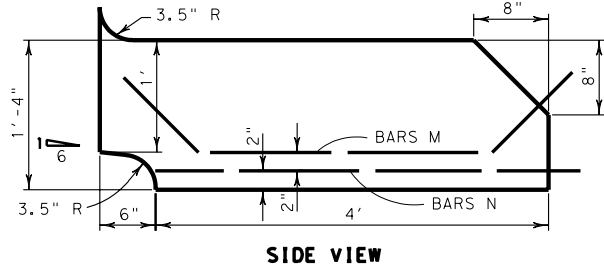
PLAN



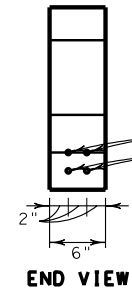
FRONT ELEVATION



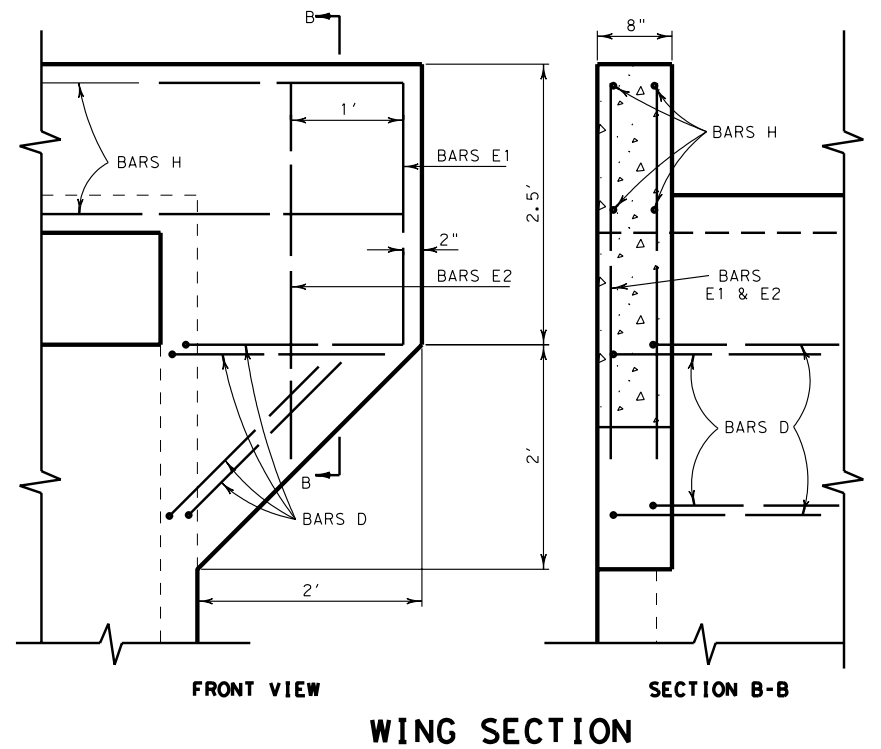
TOP VIEW



SIDE VIEW



END VIEW



FRONT VIEW

SECTION B-B

WING SECTION

General Notes

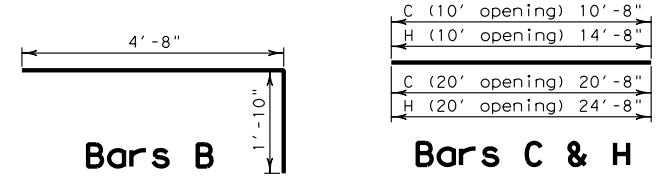
- All Concrete shall be Class "A".
- Chamfer all exposed corners $\frac{3}{4}$ " except where otherwise noted.
- Dimensions relating to reinforcing steel are to centers of bars.
- Field cut and bend bars as necessary to accommodate pipe.
- Location of inlet as shown in the plans refers to the control point shown on this sheet.

BILL OF REINFORCING STEEL & QUANTITIES												
10' Channel Inlet D = 4.5'												
Bars	A	B	C	D	E ₁	E ₂	F	G	H	K	-	-
Number	18	18	21	8	4	4	32	30	4	12	-	-
Size	#4	#4	#4	#4	#4	#4	#4	#4	#4	#4	-	-
Spacing	7.52"	7.52"	-	1.33'	-	-	7.52"	7.52"	-	1'	-	-
Length	4.8'	6.5'	10.6'	4'	2.3'	3.33'	5.17'	4.66'	14.7'	7.7'	-	-
Weight	57	77	150	22	7	9	110	95	40	62	-	-
Totals	Steel = 626 LBS. Conc. = 4.97 C.Y.											

20' Channel Inlet D = 4.5'												
Bars	A	B	C	D	E ₁	E ₂	F	G	H	K	M	N
Number	34	34	21	8	4	4	48	46	4	22	2	2
Size	#4	#4	#4	#4	#4	#4	#4	#4	#4	#4	#4	#4
Spacing	7.52"	7.52"	-	1.33'	-	-	7.52"	7.52"	-	1'	-	-
Length	4.8'	6.5'	20.6'	4'	2.3'	3.33'	5.17'	4.66'	24.6'	7.7'	5.33'	6.08'
Weight	108	148	291	22	7	9	165	143	66	112	7	9
Totals	Steel = 1087 LBS. Conc. = 8.89 C.Y.											

TOTAL AMOUNT OF CONCRETE & STEEL FOR ADDITIONAL DEPTHS					
10' INLET			20' INLET		
DEPTH	CONC. (CY)	STEEL (LBS)	DEPTH	CONC. (CY)	STEEL (LBS)
5'	5.26	644	5'	9.27	1113
5.5'	5.56	681	5.5'	9.74	1175
6'	5.85	721	6'	10.2	1239
6.5'	6.12	758	6.5'	10.66	1298

MAXIMUM DEPTH= 10'-0"



REVISIONS:		 Texas Department of Transportation FORT WORTH DISTRICT <small>© 2002 by Texas Department of Transportation; All Rights Reserved</small> CHANNEL HEADWALL INLET CHI-02 (FW)				
ORIG. DRAW DATE:	DESIGN:	FED. REG.	STATE	PROJ. NO.	HIGHWAY	
AUG. 2002	CHECKED:	6	TEXAS			
	DRAWN:	DISTRICT	COUNTY	CONTROL SECTION	JOB SHEET	
	CHECKED:	FTW				