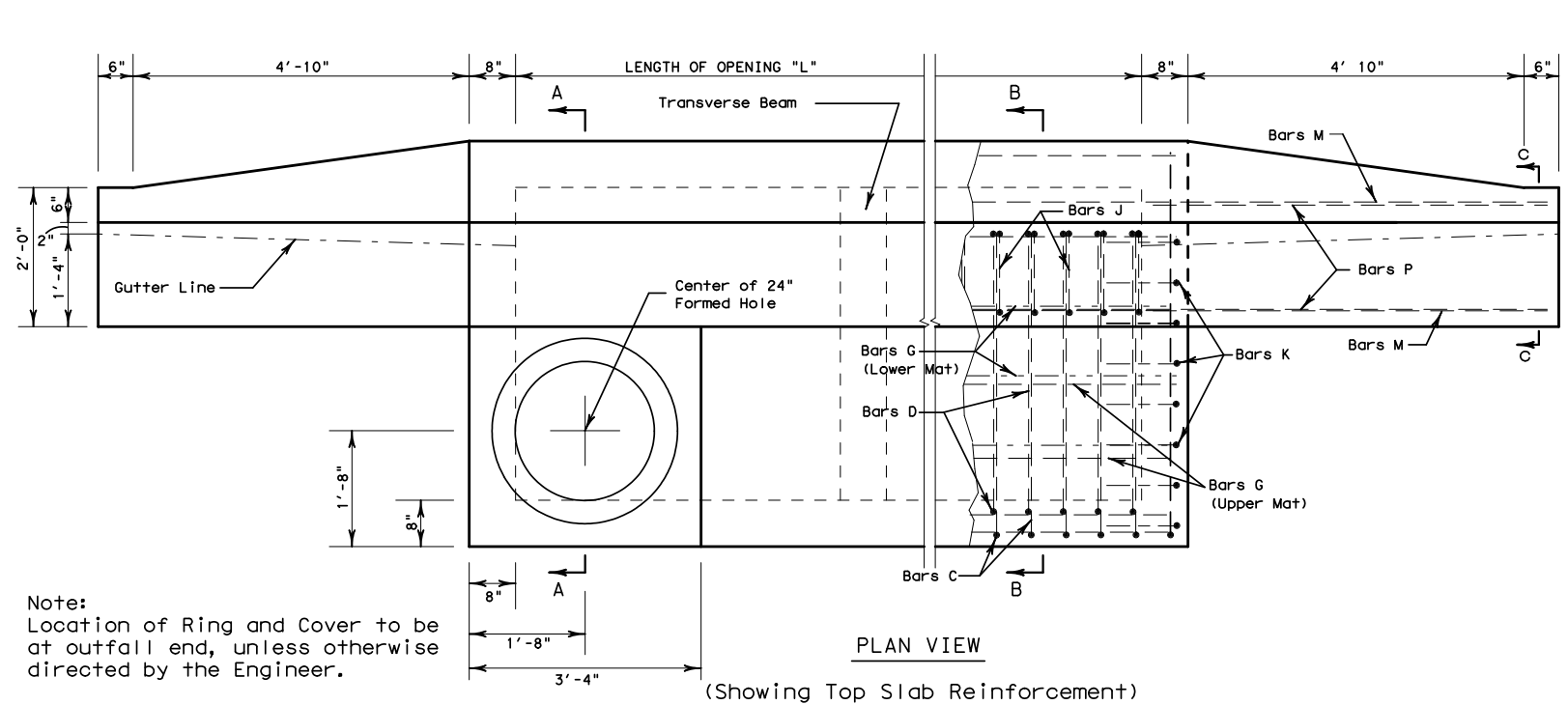


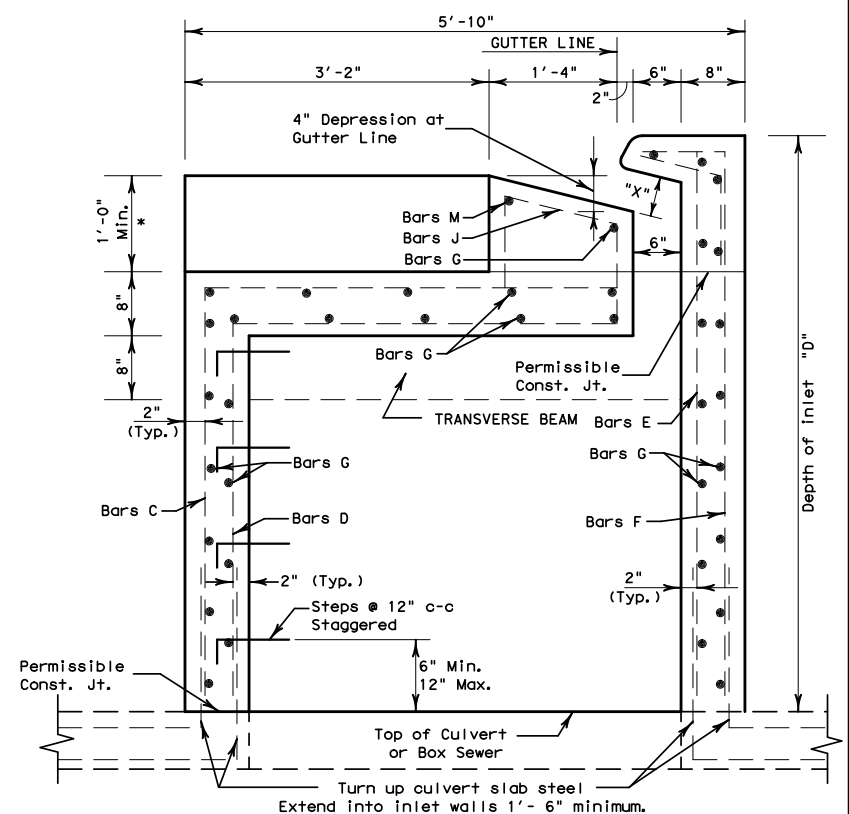
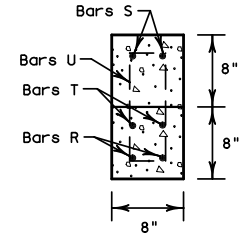
DISCLAIMER: The use of this standard is governed by the "Texas Engineering Practice Act". No warranty of any kind is made by TxDOT for any purpose whatsoever. TxDOT assumes no responsibility for the conversion of this standard to other formats or for incorrect results or damages resulting from its use.

http://www.dot.state.tx.us/ftw/spec/info/standard.htm ci202bcfw.dgn

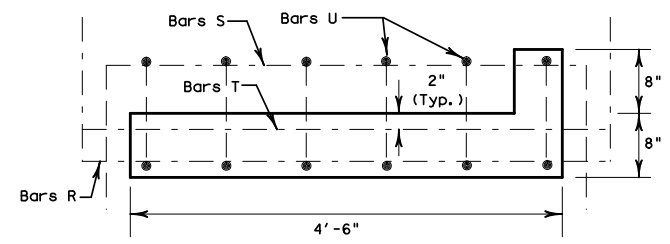
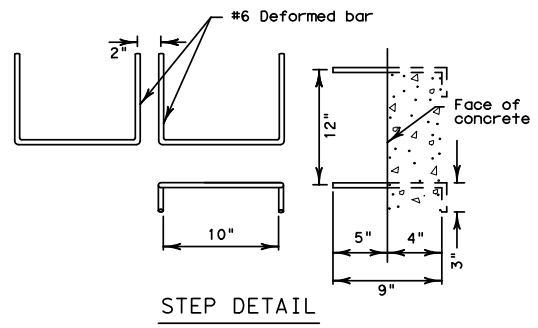
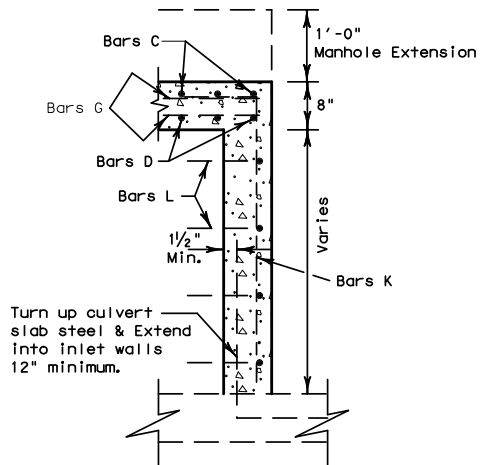
1	2	3	4	5	6	7	8	9	10	11	12	13	14	15	16	17	18	19	20	21	22	23	24	25	26	27	28	29	30
---	---	---	---	---	---	---	---	---	----	----	----	----	----	----	----	----	----	----	----	----	----	----	----	----	----	----	----	----	----



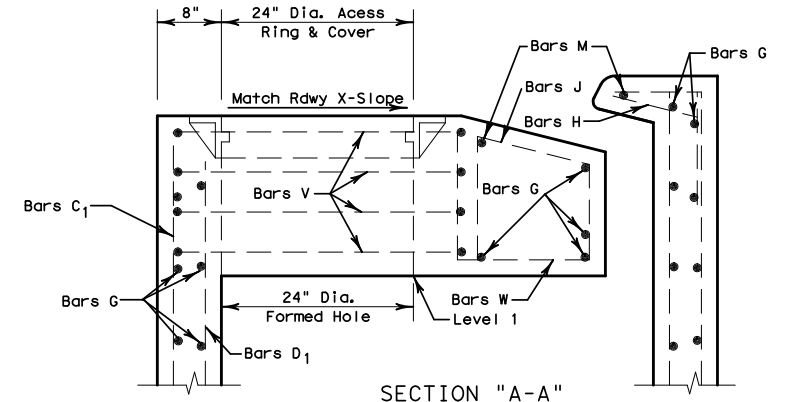
THROAT DIMENSION	
CURB HEIGHT	"X"
5"	5"
6"	5 7/8"
7"	6 1/4"
8"	6 1/2"



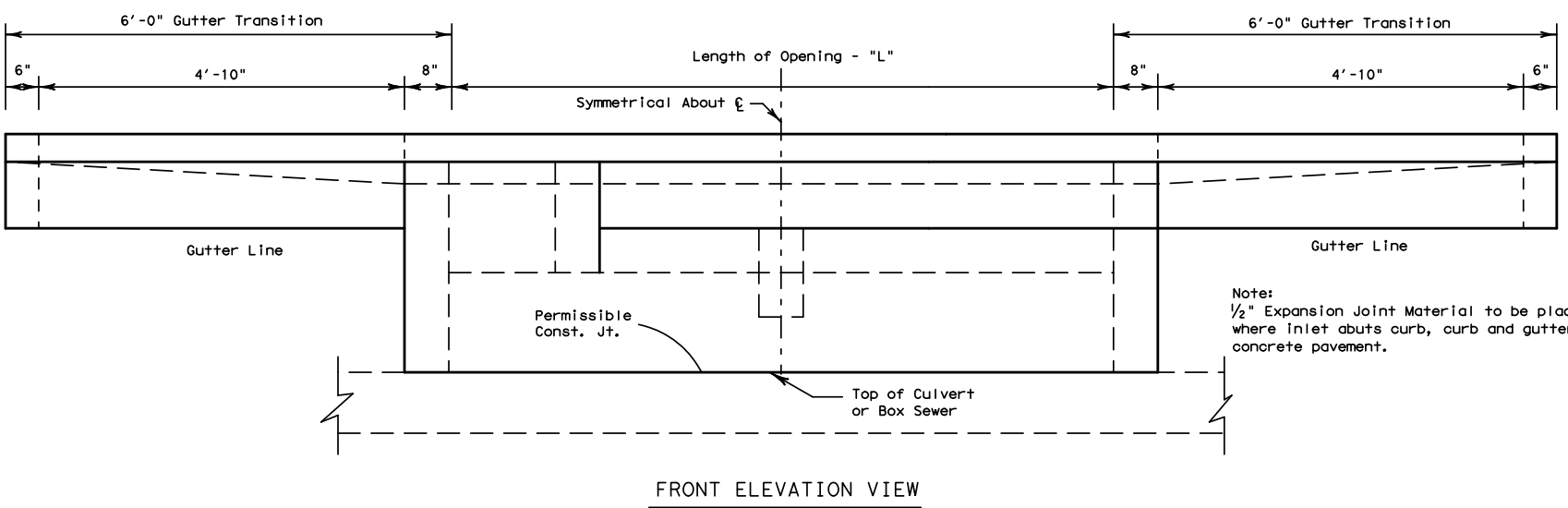
* Match depth of pavement structure (Base and Surface). Adjust bar lengths as directed by the Engineer. (See Detail, Sheet 2 of 2)



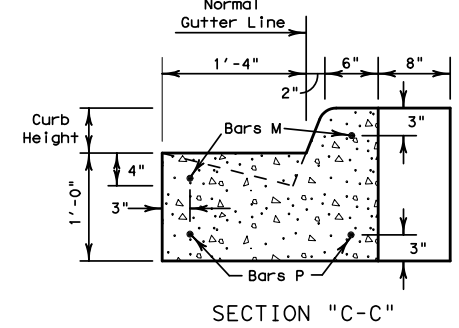
Beams at 5' c-c (10', 15' & 20' Inlets)



Note: See Sheet 2 of 2 for Details of Ring and Cover, Reinforcing Steel, Estimated Quantities, and General Notes.



Note: 1/2" Expansion Joint Material to be placed where Inlet abuts curb, curb and gutter or concrete pavement.



Note: See Sheet 2 of 2 for Ring and Cover Details, Details of Reinforcing Steel, Estimated Quantities, and General Notes.

Texas Department of Transportation
FORT WORTH DISTRICT

TYPE 2-C
CURB INLET ON BOX CULVERT
FOR USE W/ 5" TO 8" BARRIER CURB
5', 10', 15' & 20' OPENINGS

CI (2) - 08 - BC (FW)
SHEET 1 OF 2 SHEETS

FED. RD. DIV. NO.	PROJECT NO.	SHEET NO.
6		
STATE	DIST.	COUNTY
TEXAS	FTW	
CONT.	SECT.	JOB
		HIGHWAY NO.