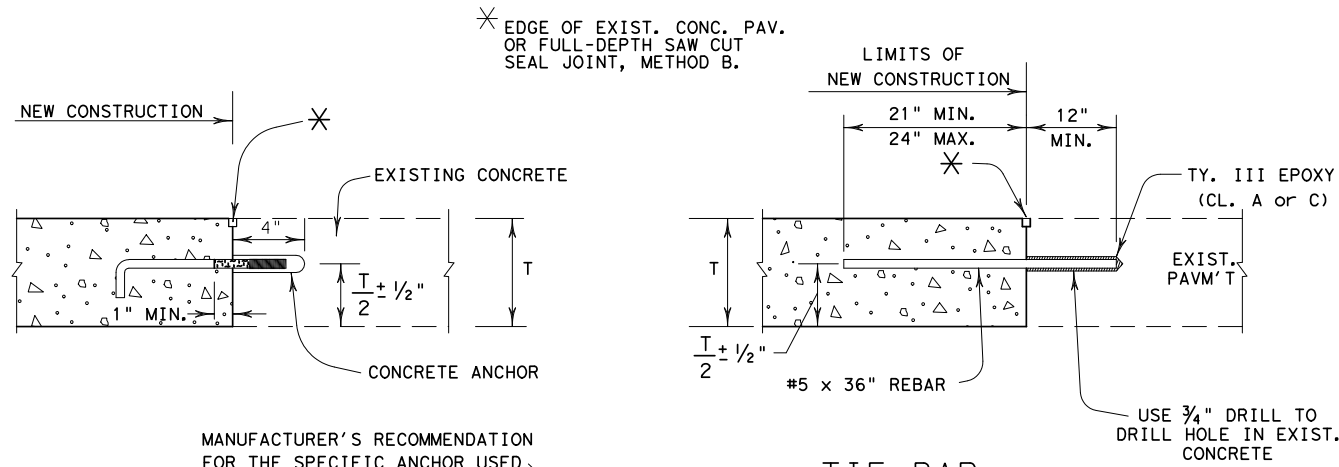


DISCLAIMER: The use of this standard is governed by the "Texas Engineering Practice Act". No warranty of any kind is made by TxDOT for any purpose whatsoever. TxDOT assumes no responsibility for the conversion of this standard to other formats or for incorrect results or damages resulting from its use.

optepfw.dgn

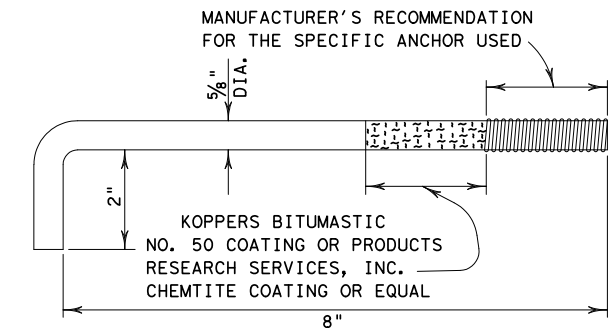
http://www.dot.state.tx.us/ftw/specinfo/standard.htm

| | |
|------------------|--|
| LEVELS DISPLAYED | |
| 1 | |
| 2 | |
| 3 | |
| 4 | |
| 5 | |
| 6 | |



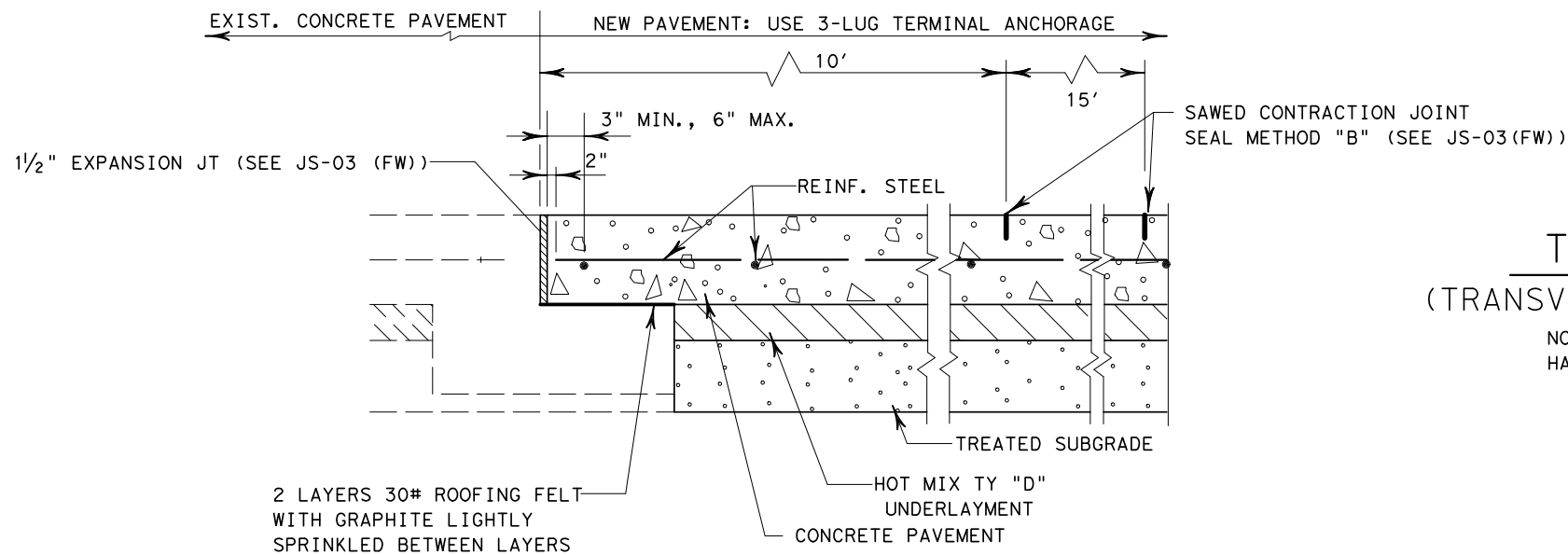
TIE BAR

1. EITHER THE HOOK TIE BOLT OR THE TIE BAR MAY BE USED TO PROVIDE LOAD TRANSFER FOR LONGITUDINAL JOINTS.
2. THE SPACING FOR EITHER TIE BARS OR HOOK TIE BARS BOTH IS 24" C-C.
3. SEE JS-03 (FW), METHOD "B" FOR JOINT SEALING DETAILS.
4. THIS DETAIL DOES NOT APPLY TO NEW CONSTRUCTION, STAGE CONSTRUCTION, OR BLOCKOUT (SEE' CPCR STANDARDS)

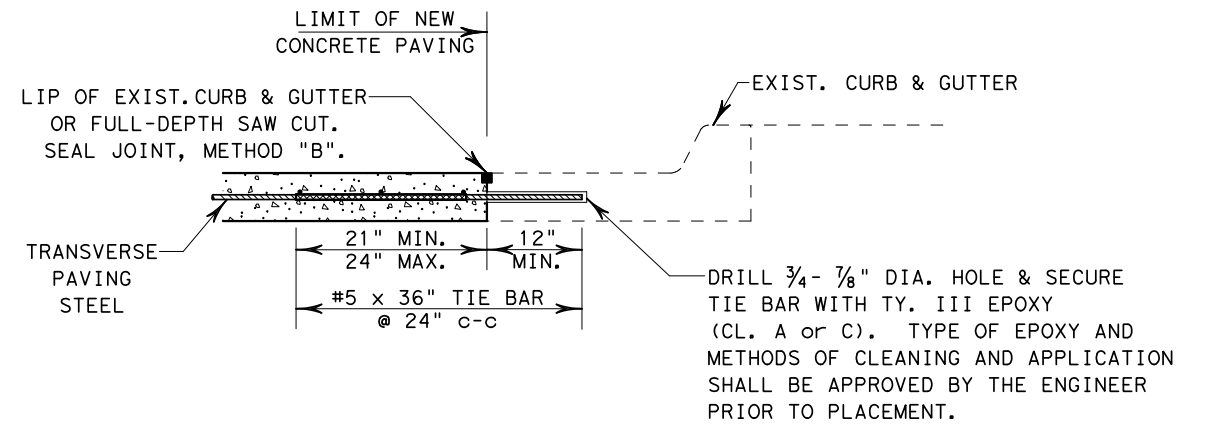


HOOK TIE BOLT

TIE TO EXIST. CONC. PAVEMENT (LONGITUDINAL JOINTS)



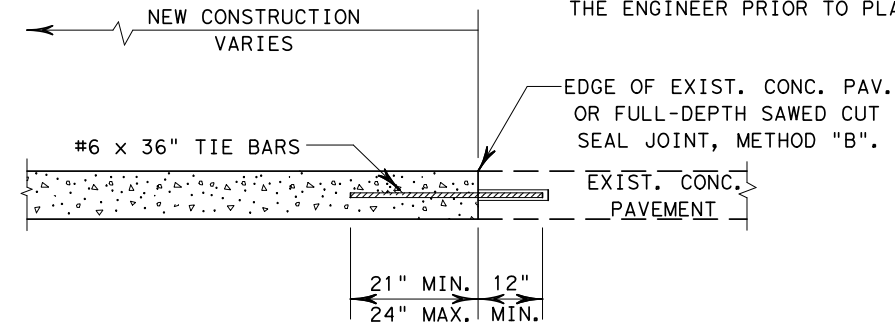
TIE TO EXIST. CONCRETE PAVEMENT (TRANSVERSE JOINTS W/EXISTING "SLEEPER" SLAB)



TIE TO EXIST. CONC. CURB & GUTTER

NOTE: SAWING OF PAVEMENT AND REMOVAL OF EXISTING CONC. WILL NOT BE PAID FOR DIRECTLY, BUT WILL BE SUBSIDIARY TO THE VARIOUS BID ITEMS.

DRILL 7/8" DIA. HOLE & SECURE TIE BARS WITH TY. III EPOXY (CL. A or C). TYPE OF EPOXY AND METHODS OF CLEANING AND APPLICATION SHALL BE APPROVED BY THE ENGINEER PRIOR TO PLACEMENT.



TIE TO EXIST. CONC. PAVEMENT (TRANSVERSE JOINTS W/O EXISTING "SLEEPER" SLAB)

NOTE: DETAILS SHOWN APPLY WHEN MULTIPLE-PIECE TIE BARS HAVE NOT BEEN INCLUDED IN THE PREVIOUS CONCRETE PLACEMENT

| TIE BAR SPACING | |
|--------------------|-------------|
| PAVEMENT THICKNESS | BAR SPACING |
| 8" | 12" |
| 9" | 10" |
| 10" | 8.5" |
| 11" | 7" |
| 12" | 6" |
| >12" | 6" |

GENERAL NOTES:

TIE BARS SHALL BE GROUTED INTO THE EXISTING CONCRETE THE MINIMUM LENGTHS SHOWN, AND MUST MEET THE REQUIREMENTS OF THE PULL-OUT TEST SPECIFIED IN ITEM 361, WHEN REQUIRED BY THE ENGINEER.



CONCRETE PAVEMENT TIES TO EXISTING PAVEMENT CP-TEP-03 (FW)

| | | | | |
|--|--|---------------------|-----------------|-----------------|
| ORIG DRAW | APR 2003 | FED. RD. DIV. NO. 6 | PROJECT NO. | SHEET NO. |
| REVISIONS: | | | | |
| JAN. 2008-SPECIFY TYPE OF EPOXY | 10/08 - UPDATED | STATE | STATE DIST. NO. | COUNTY |
| REFERENCES TO JS-03 (FW) | 04/10 - ADDED GRAPHITE ON SLEEPER SLAB | TEXAS | FTW | |
| 07/10 - UPDATED REFERENCES TO JS-03 (FW) | | CONT. | SECT. | JOB HIGHWAY NO. |