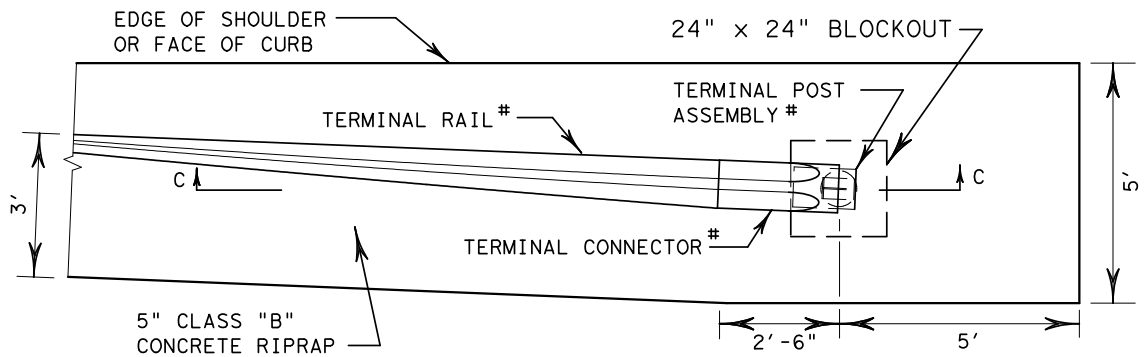
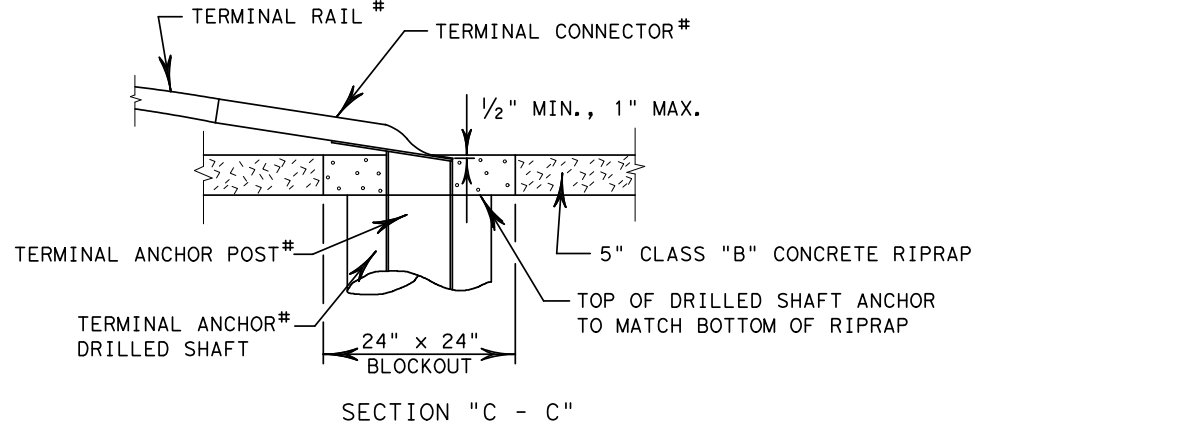


DISCLAIMER:
The use of this standard is governed by the "Texas Engineering Practice Act". No warranty of any kind is made by TxDOT for any purpose whatsoever. TxDOT assumes no responsibility for the conversion of this standard to other formats or for incorrect results or damages resulting from its use.

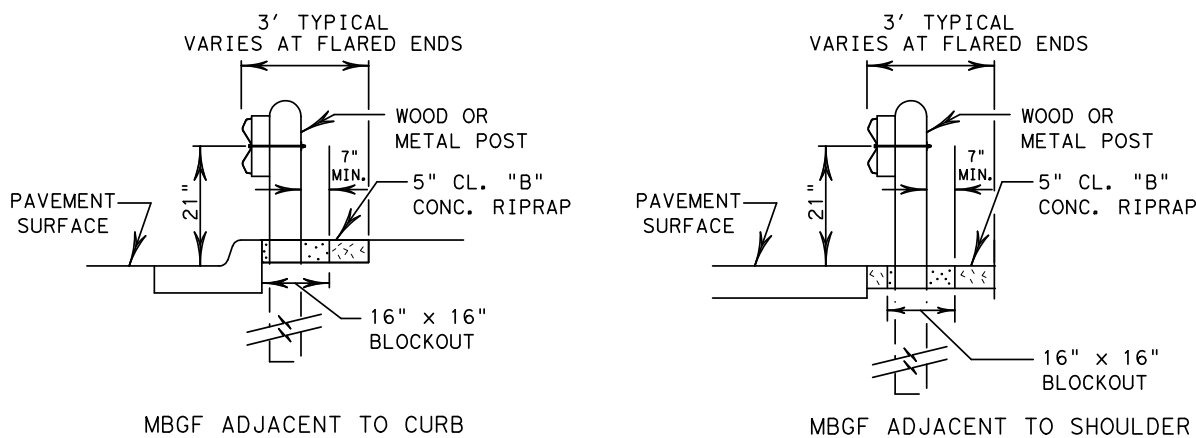
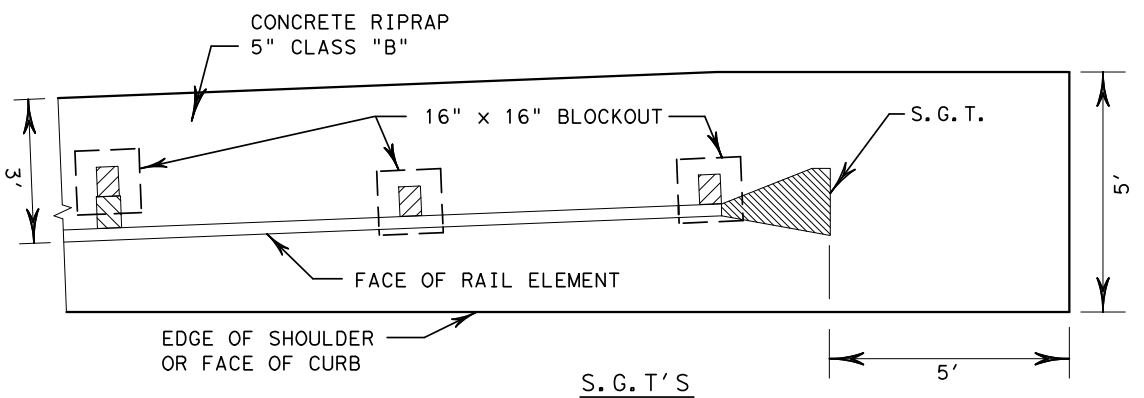
crvcfw.dgn

http://www.dot.state.tx.us/ftp/spec/info/standard.htm

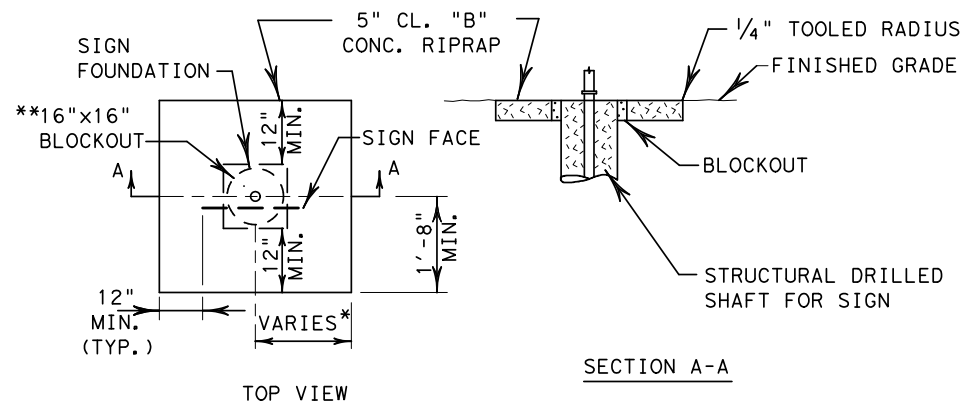
LEVELS DISPLAYED	
1	



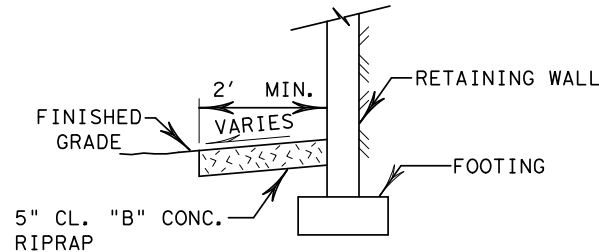
SEE MBGF DETAILS FOR ADDITIONAL INFORMATION



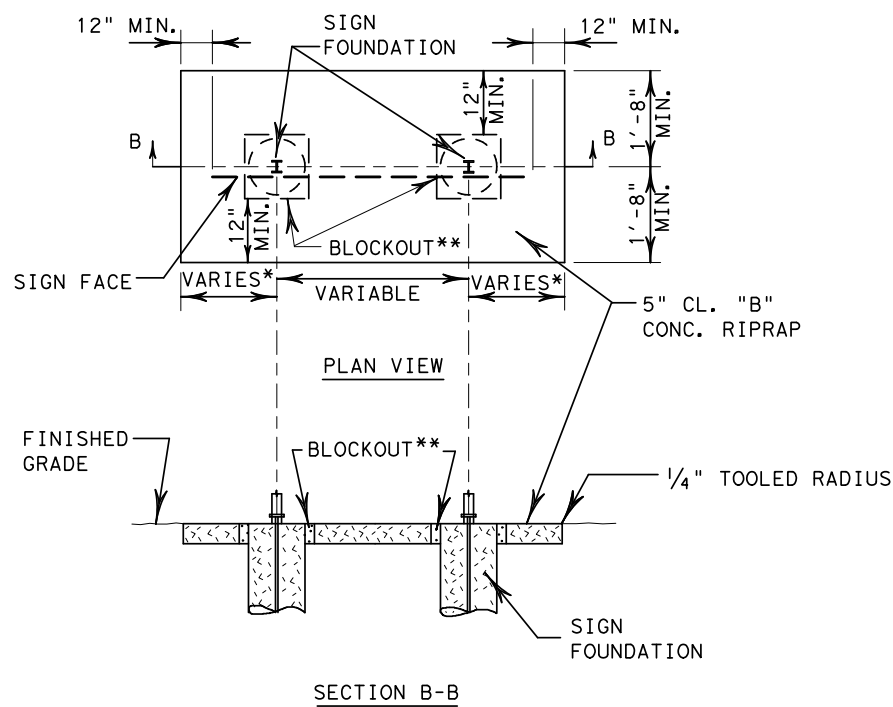
METAL BEAM GUARD FENCE



SMALL ROADSIDE SIGNS OR CANTILEVER SIGNS



RETAINING WALL



LARGE GROUND MOUNTED GUIDE SIGNS OR OVERHEAD SIGN BRIDGES

- * FOR LARGE GROUND MOUNTED GUIDE SIGNS AND SMALL ROADSIDE SIGNS, THE RIPRAP SHOULD EXTEND 12" BEYOND THE OUTSIDE LATERAL EDGES OF THE SIGNS. HOWEVER, IN THOSE INSTANCES WHERE THE EDGE OF THE SIGN DOES NOT EXTEND 12" FROM THE POST, A 2' MINIMUM DIMENSION WILL BE UTILIZED.
- * FOR OVERHEAD SIGN BRIDGES AND CANTILEVER SIGN MOUNTS THE DIMENSIONS SHALL BE MEASURED FROM OUTSIDE EDGE OF DRILL SHAFTS.
- ** 16" x 16" FOR 12" DRILLED SHAFT FOUNDATIONS
28" x 28" FOR 24" DRILLED SHAFT FOUNDATIONS
40" x 40" FOR 36" DRILLED SHAFT FOUNDATIONS
52" x 52" FOR 48" DRILLED SHAFT FOUNDATIONS

GENERAL NOTES:

THE TERMINAL CONNECTOR OPTION SHOWN ON THE MBGF STANDARD SHEET SHALL BE USED FOR ALL TERMINAL ANCHORS PLACED WITH CONCRETE RIPRAP FOR VEGETATION CONTROL.

THE THICKNESS OF THE CONCRETE RIPRAP SHALL NOT BE CONSIDERED IN DETERMINING DRILLED SHAFT LENGTHS FOR SIGN FOUNDATIONS.

BLOCKOUTS FOR MBGF POSTS AND SIGN SUPPORTS TO BE FILLED WITH 2-SACK GROUT AFTER RIPRAP HAS BEEN PLACED.

THIS TREATMENT SHALL BE PROVIDED FOR ALL SIGNS, MBGF AND RETAINING WALLS REQUIRING VEGETATION CONTROL, OR AS DIRECTED BY THE ENGINEER.

PAYMENT FOR RIPRAP SHALL BE IN ACCORDANCE WITH ITEM 432, "RIPRAP". GROUT WILL NOT BE PAID FOR DIRECTLY, BUT WILL BE CONSIDERED SUBSIDIARY TO THE VARIOUS BID ITEMS.

ALL RIPRAP CONCRETE SHALL BE CLASS "B"

REINFORCEMENT FOR RIPRAP SHALL BE WWF 6x6-W2.9xW2.9 OR EQUIVALENT.



FORT WORTH DISTRICT
CONCRETE RIPRAP FOR
VEGETATION CONTROL
CRVC (FW)

ORIGINAL DRAWING: 5/2003	crvcfw.dgn	FED. RD. DIV. NO. 6	PROJECT NO.	SHEET NO.
DATE	REVISIONS			
4/06	7" MIN. FOR MBGF POST DEFLECTION	STATE TEXAS	COUNTY FTW	
		CONT.	SECT.	JOB
				HIGHWAY NO.