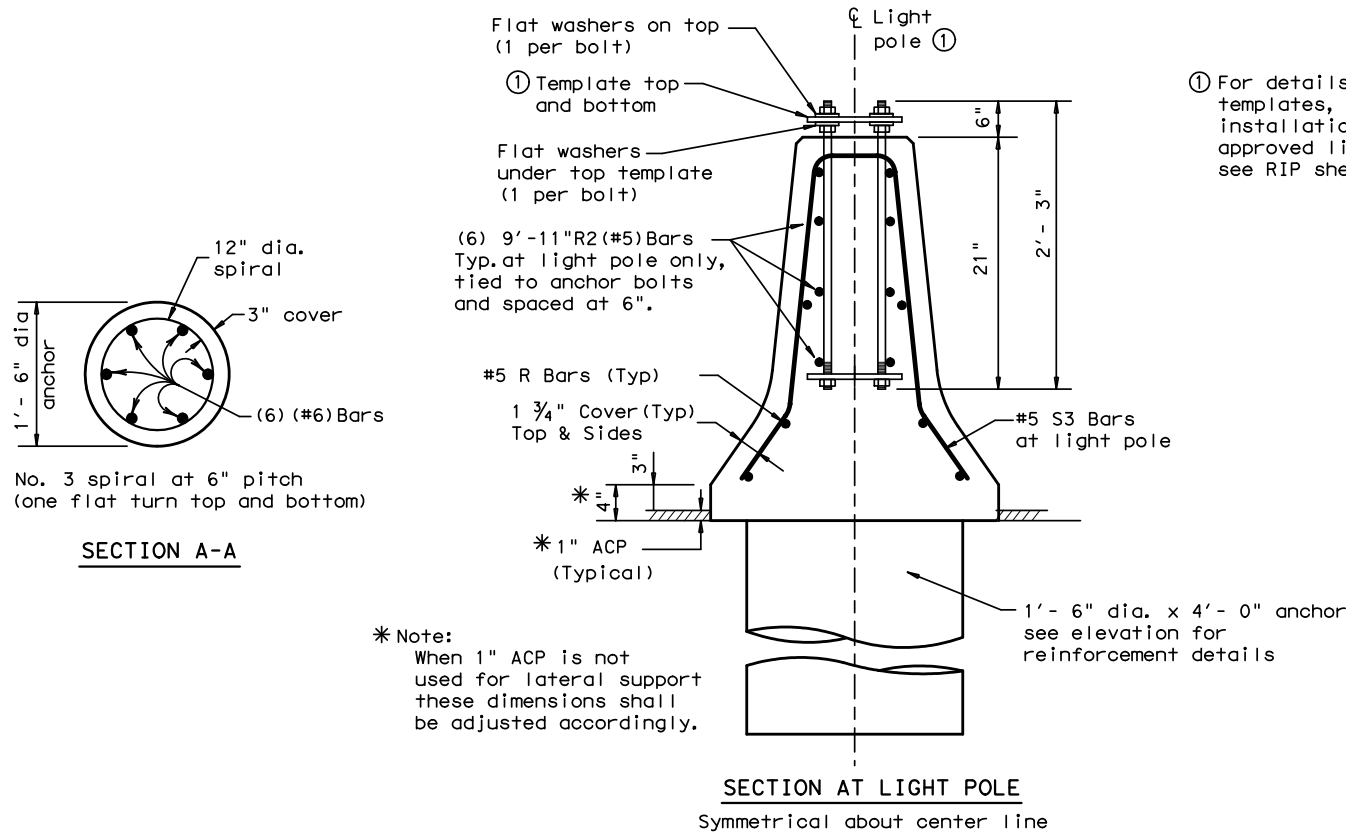


DISCLAIMER: The use of this standard is governed by the "Texas Engineering Practice Act". No warranty of any kind is made by TxDOT for any purpose whatsoever. TxDOT assumes no responsibility for the conversion of this standard to other formats or for incorrect results or damages resulting from its use.

http://www.dot.state.tx.us/ftw/spec/info/standard.htm/csb404fw.dgn

LEVELS DISPLAYED	
1	
3	

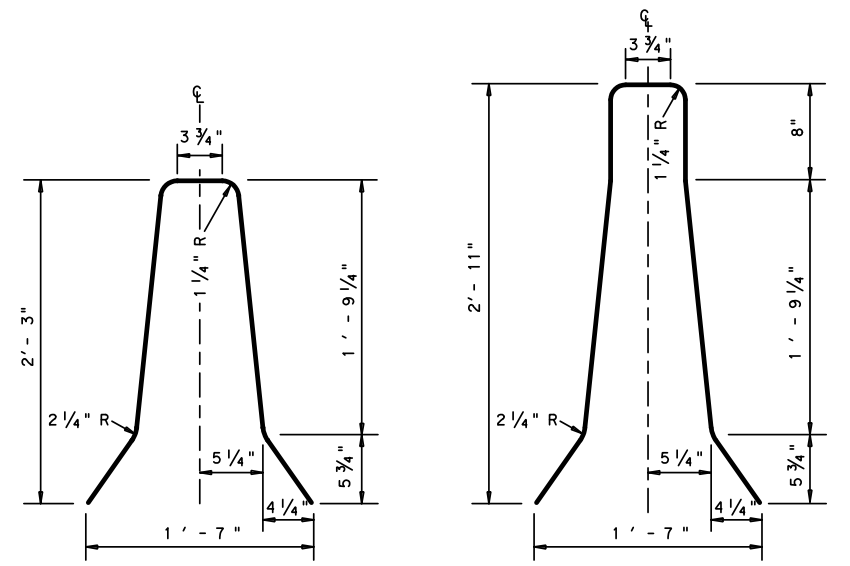


① For details of light pole, ground rod, templates, conduit, and anchor bolt installation see sheet CSB(5). (For approved light pole designation see RIP sheets.)

Schedule of reinforcement for each 10 foot cast-in-place section at light poles (excluding anchor)

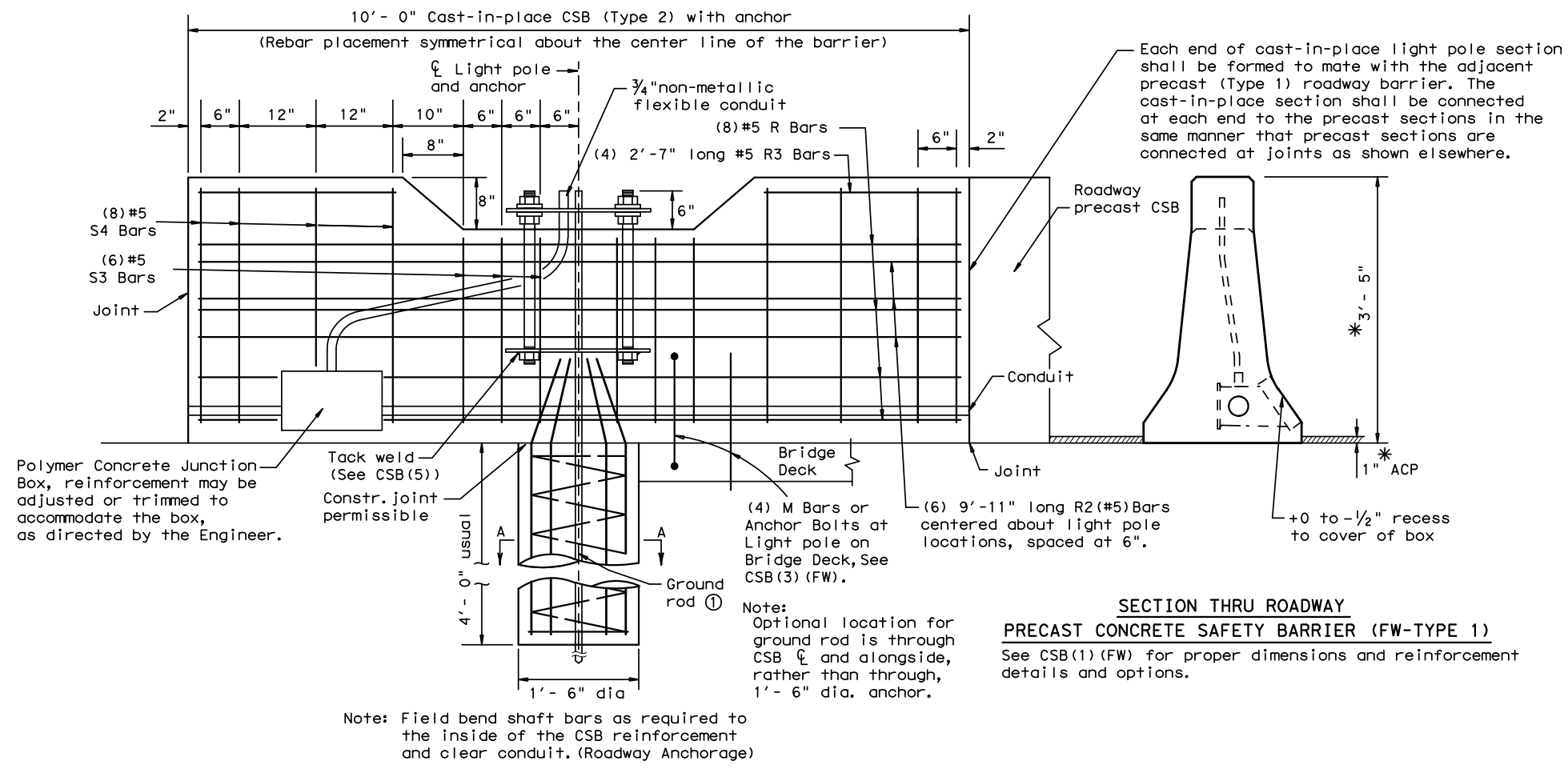
BAR	SIZE	QUANTITY
S3	#5	6
S4	#5	8
R	#5	8
R2	#5	6
R3	#5	4

Note: (6) (#5) R2 Bars 9'-11" long required at all light pole locations.



**GENERAL NOTES**

- All concrete for Concrete Safety Barrier (CSB), including anchor, shall be Class C or H.
- Anchor bolts, ground rods, drilled shaft anchor, junction box and rigid metal conduit when required shall not be paid for directly, but will be considered subsidiary to the various bid items.
- See CSB(3) (FW) for anchorage of light pole section on a bridge deck.
- Junction boxes shall be polymer concrete, and shall be mounted flush (+0, - 1/2") with concrete surface of CSB.
- In line fuse holder shall be installed as required on RID Sheets. Typically fuse holders are installed in the barrier junction box adjacent to each light pole. By direction of the Engineer, the fuse holder may be installed at the poles hand hole. In this case, the 3/4" flexible non-metallic from the junction box to the pole will be increased in size up to 1 1/4" to accommodate the Branch circuit conductors. Conductors shall not be reduced in size to #12 AWG, except on the load side of the fuse holder.
- Anchor bolts and their assemblies shall be in accordance with Item 449, "Anchor Bolts" High-Strength Steel or Alloy Steel. Galvanization in accordance with required specification for anchor bolts is shown on CSB(5) (FW).



**SECTION THRU ROADWAY**  
**PRECAST CONCRETE SAFETY BARRIER (FW-TYPE 1)**  
 See CSB(1) (FW) for proper dimensions and reinforcement details and options.

**ELEVATION OF TREATMENT AT LIGHT POLE**  
 Symmetrical about center line

Texas Department of Transportation

**CONCRETE SAFETY BARRIER (F-SHAPE)**  
**CAST-IN-PLACE BARRIER AT LIGHT POLE (FW-TYPE 2)**  
**CSB(4)-04 (FW)**

FILE: CSB4FW.dgn	DN: TxDOT	CK: AM	DW: BGD	CK:
© TxDOT December 2004	DIST	FEDERAL AID PROJECT		SHEET
REVISIONS				
Apr 2006 FTW Add 8" Height	COUNTY	CONTROL SECT	JOB	HIGHWAY