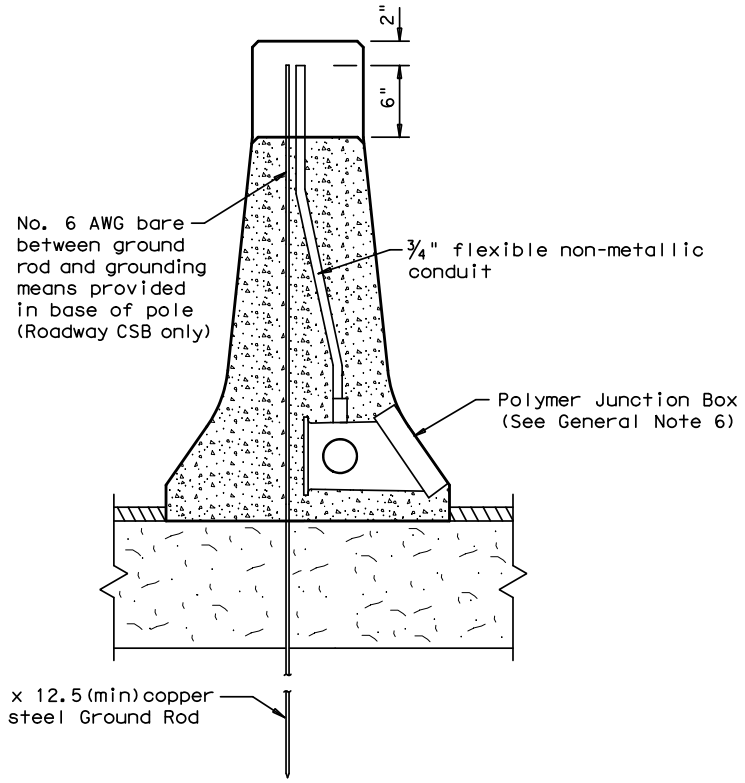


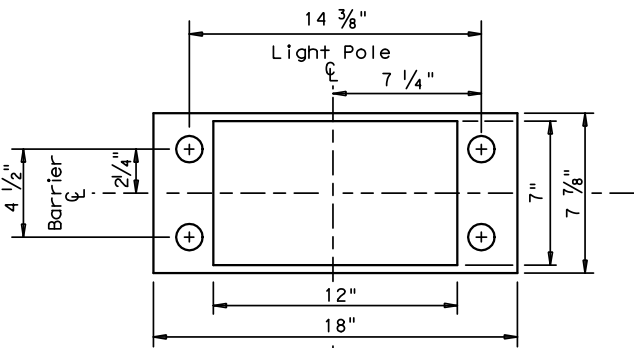
DISCLAIMER: The use of this standard is governed by the "Texas Engineering Practice Act". No warranty of any kind is made by TxDOT for any purpose whatsoever. TxDOT assumes no responsibility for the conversion of this standard to other formats or for incorrect results or damages resulting from its use.

http://www.dot.state.tx.us/ftw/spec/info/standard.htm/csb504fw.dgn

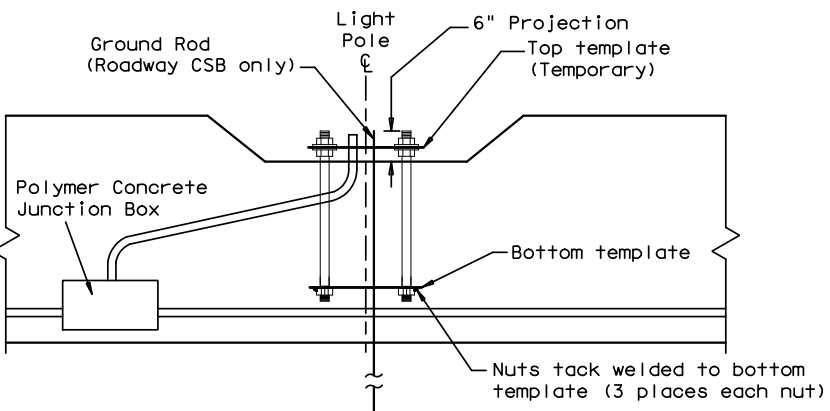
LEVELS DISPLAYED	
1	



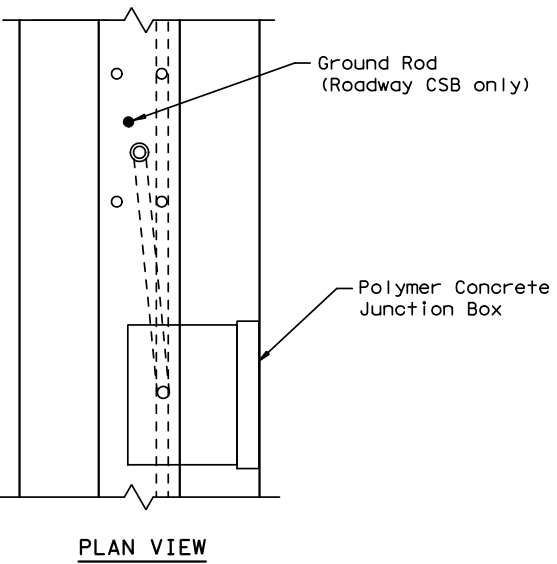
**SERVICE LEAD AND GROUND DETAIL
AT LIGHT POLE (Roadway CTB)**



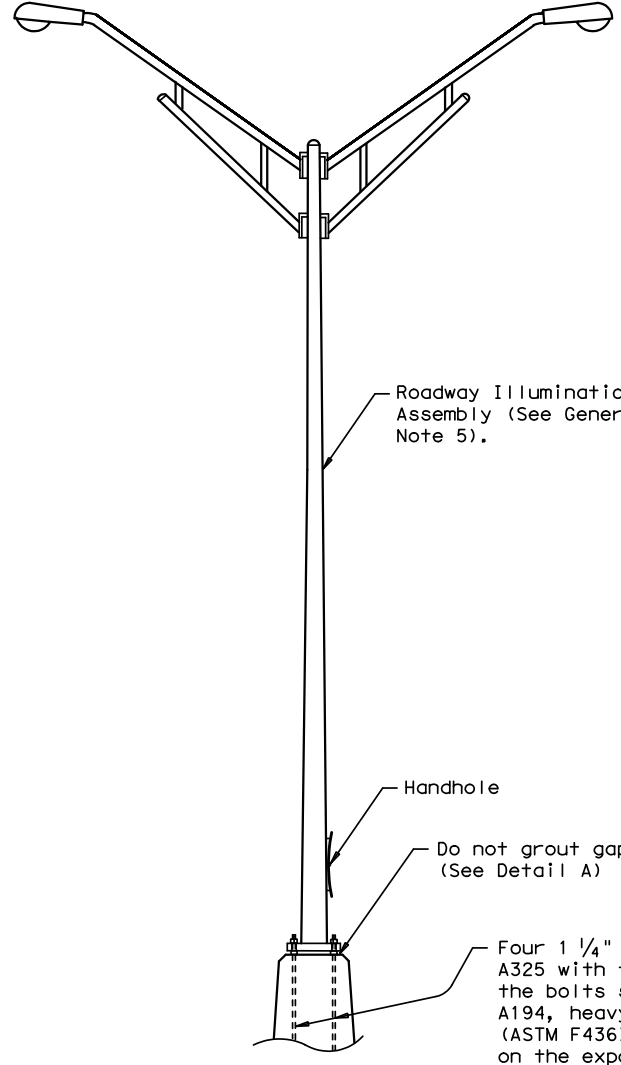
ANCHOR BOLT TEMPLATE DETAIL
See RIP Standard sheets for Top & Bottom Template Details



**DETAILS AT LIGHT POLE ON BRIDGES AND
ROADWAY (Cast-In-Place)**



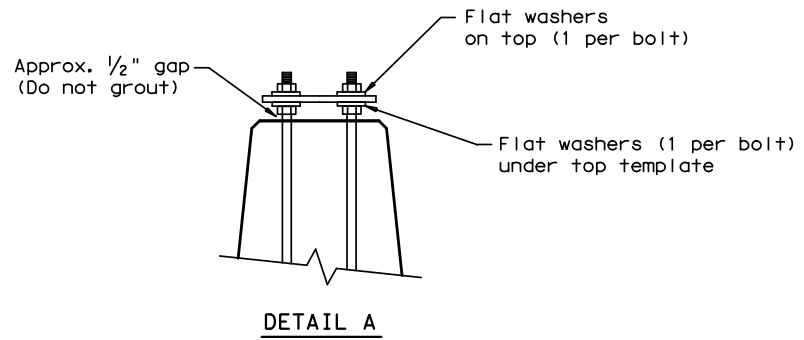
PLAN VIEW



LIGHT POLE DETAIL

Four 1 1/4" x 2'-3" anchor bolts (ASTM A193 Grade B7, A321, or A325 with the top threaded 5 1/2"). The top and bottom end of the bolts shall be furnished with nuts (ASTM A563 Grade DH or A194, heavy hex) and templates. Furnish two flat washers (ASTM F436) at the top end of the bolt. Galvanize anchor bolts on the exposed end at least 12". Galvanize exposed nuts and washers. Templates and embedded nuts need not be galvanized.

Tighten anchor bolt nuts when erecting pole in accordance with Item 449, "Anchor Bolts."



DETAIL A

GENERAL NOTES

1. Poles on bridge barrier shall be grounded using a ground rod near the wing wall and grounding conductor to each pole.
2. Where roadway sections are precast, light poles shall be placed on cast-in-place sections as shown on sheet CSB(4) (FW). See sheet CSB(4) (FW) for reinforcing steel requirement at light pole locations.
3. Anchor bolts or rods, nuts, washers, templates and ground rods will not be paid for directly, but shall be considered subsidiary to the Item 610, "Roadway Illumination Assemblies."
4. All conduit bends shall be in accordance with the National Electrical Code.
5. Luminaire pole designs shall be in accordance with the RIP standard sheets.
6. Junction boxes shall be polymer concrete, and shall be mounted flush (+0, -1/2") with concrete surface of CSB. For details on barrier junction box see DMS-11030.
7. In line fuse holder shall be installed as required on RID sheets. Typically fuse holders are installed in the barrier junction box adjacent to each light pole. By direction of the Engineer, the fuse holder may be installed at the poles hand hole. In this case, the 3/4" flexible non-metallic conduit from the junction box to the pole will be increased in size up to 1 1/4" to accommodate the Branch circuit conductors. Conductors shall not be reduced in size to #12 AWG, except on the load side of the fuse holder.
8. See RIP standard sheets for pole and anchor bolt details not shown here.



**CONCRETE SAFETY
BARRIER (F-SHAPE)**

BRIDGE AND ROADWAY WITH ILLUMINATION,
POLE, CONDUIT, AND ANCHOR BOLT DETAILS
CSB(5) -04 (FW)

FILE: CSB5FW.dgn	DN: TxDOT	CK: AM	DW: BGD	CK:
© TxDOT December 2004	DIST	FEDERAL AID PROJECT		SHEET
REVISIONS				
Apr 2006 FTW Add 8" Height				
COUNTY	CONTROL	SECT	JOB	HIGHWAY