

PLAN VIEW

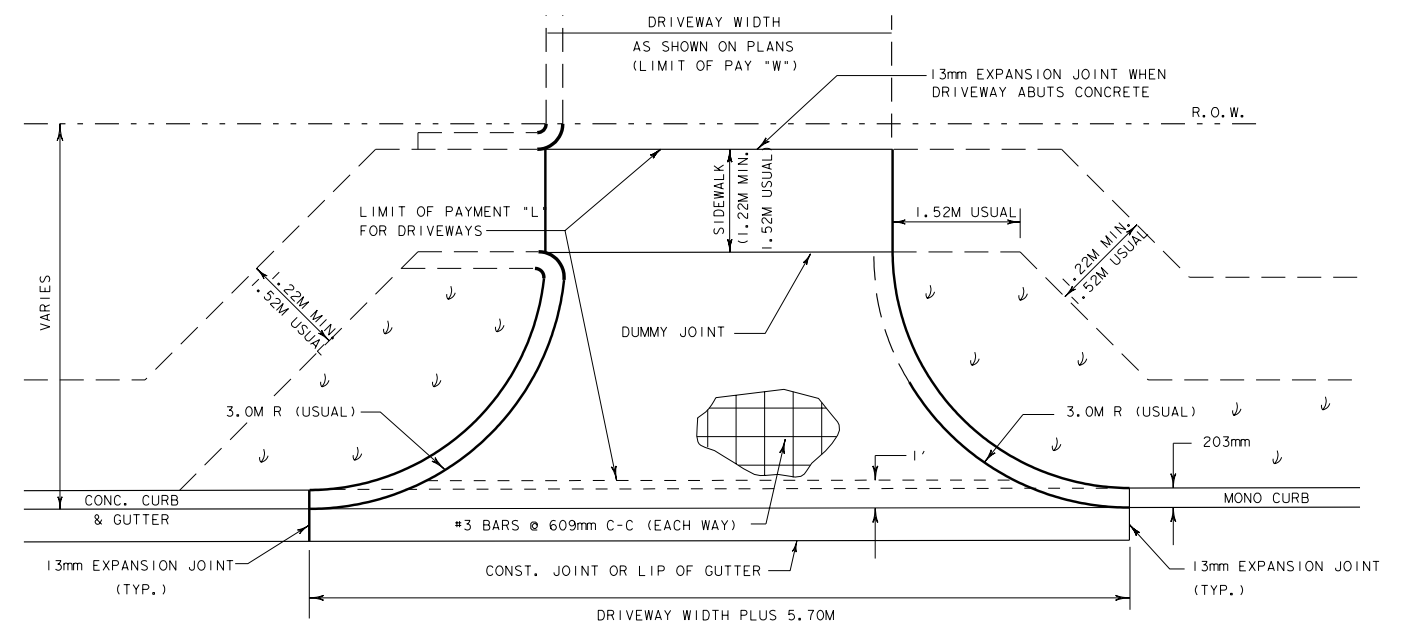


PAY AREA FOR DRIVEWAY SHALL BE THE PRODUCT OF "L" x "W"

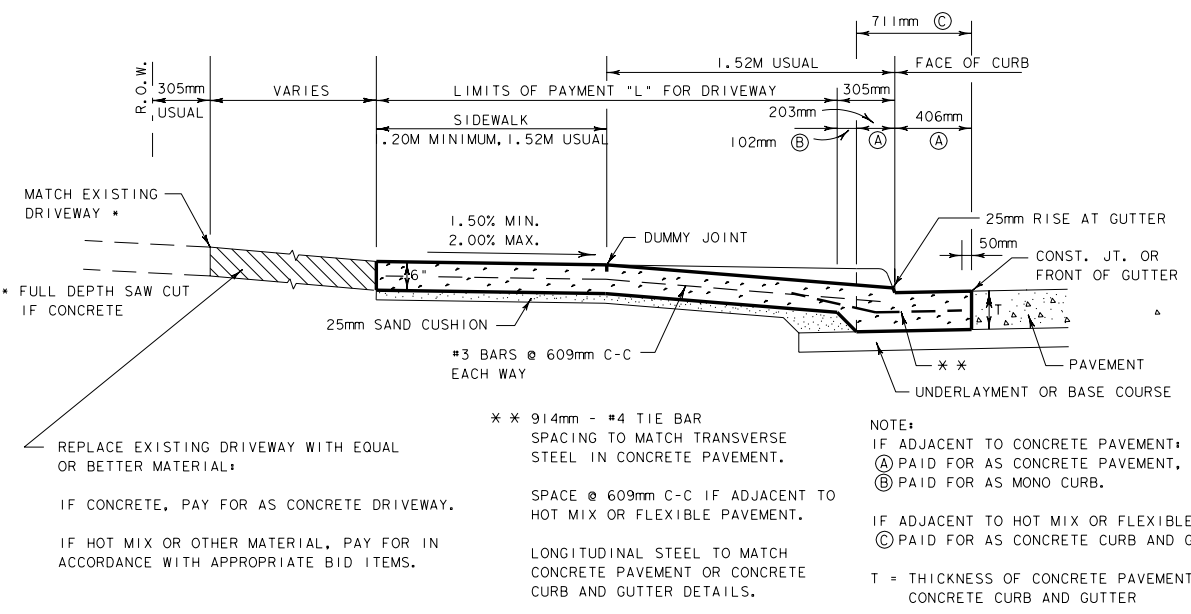
S.Y. NON-PAY CONCRETE IN DRIVEWAY RADIUS	
2-90° RADIUS (M)	M2 NON-PAY CONC.
1.5M	0.35
3.0M	2.54
6.0M	12.84
9.1M	31.09

↓ - SEEDING OR OTHER SURFACE NOT SUITABLE AS PEDESTRIAN WALKWAY.

NOTE: AREA ADJACENT TO DRIVEWAY CURB SHALL NOT BE PAVED, BUT SHALL BE SEED OR LANDSCAPED.

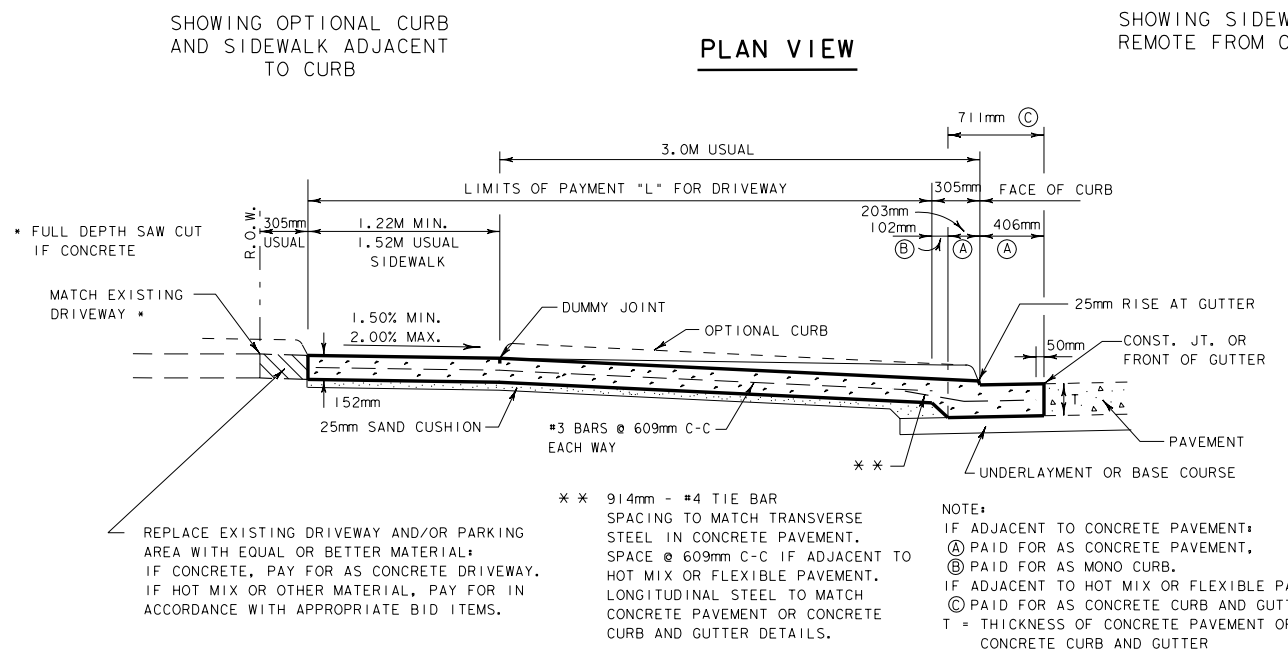


PLAN VIEW



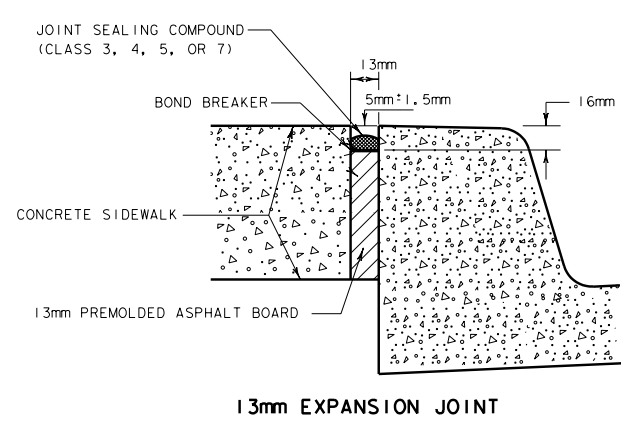
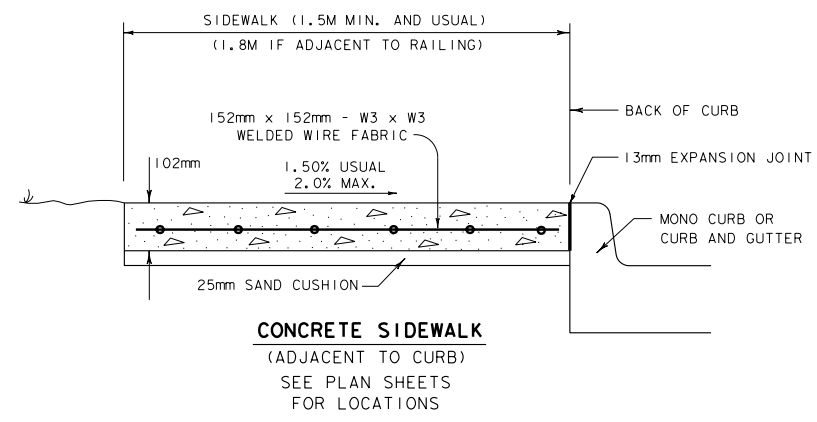
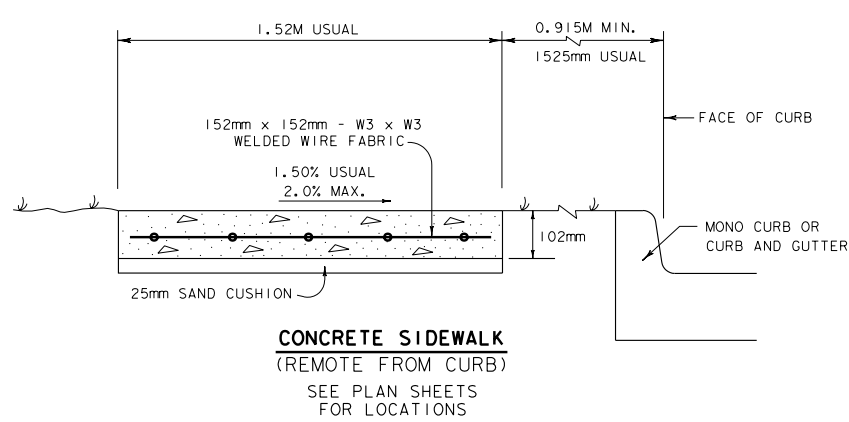
SECTION VIEW

CONCRETE RESIDENTIAL DRIVEWAY



SECTION VIEW

CONCRETE COMMERCIAL DRIVEWAY



Texas Department of Transportation

FORT WORTH DISTRICT

CONCRETE SIDEWALK AND DRIVEWAY DETAILS

CSDD-00 (M) (FW)

ORIGINAL DRAWING	FED. RD. DIV. NO.	PROJECT NO.	SHEET NO.
JUNE 2000	6		
REVISIONS:	STATE	DIST.	COUNTY
	TEXAS		
	CONT.	SECT.	JOB
			HIGHWAY NO.

© 2000 by Texas Department of Transportation; (512) 416-2055; all rights reserved

f:\p\ftw-1pd-ws\13\dub\11c\standards\eng\1\shstd\csddfw.dgn