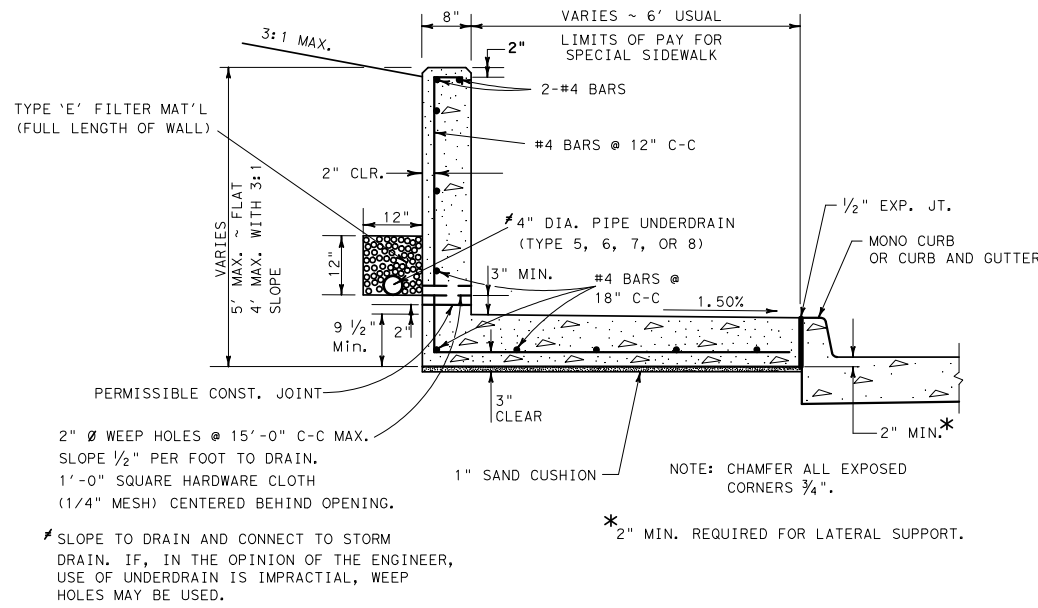


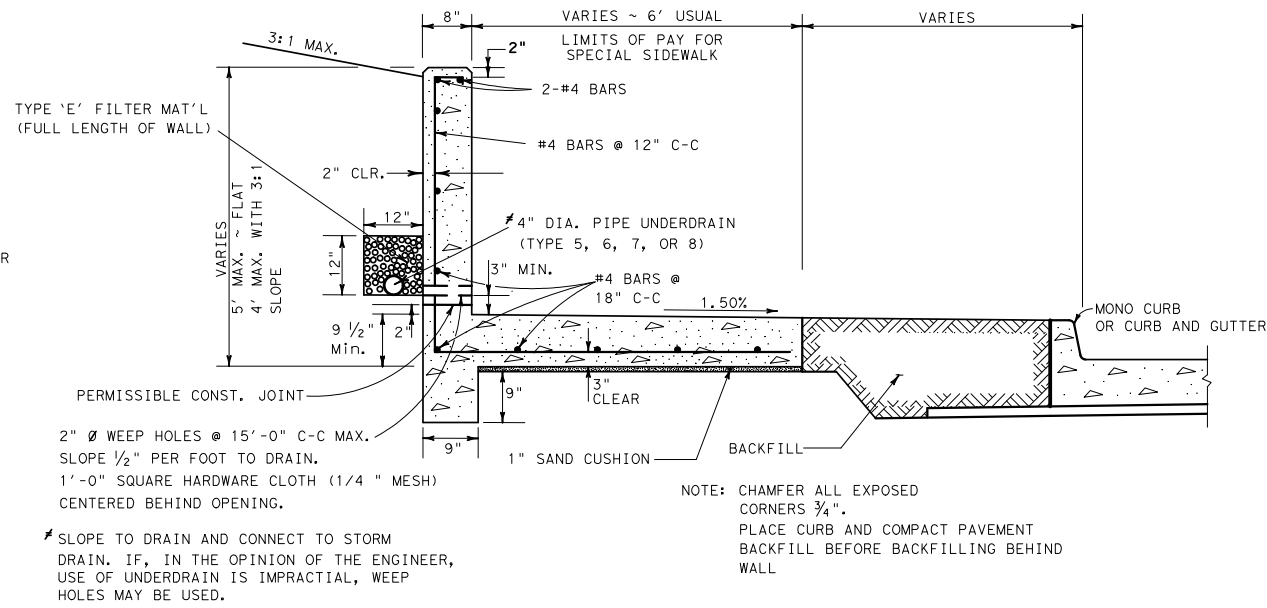
DISCLAIMER: The use of this standard is governed by the "Texas Engineering Practice Act". No warranty of any kind is made by TxDOT for any purpose whatsoever. TxDOT assumes no responsibility for the conversion of this standard to other formats or for incorrect results or damages resulting from its use.

http://www.dot.state.tx.us/ftw/specinfo/standard.htm cswdfw.dgn

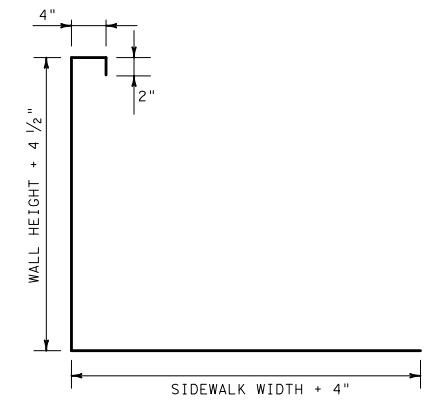
LEVELS DISPLAYED	
1	
2	
3	
4	
5	
6	



**SIDEWALK ADJACENT TO CURB**

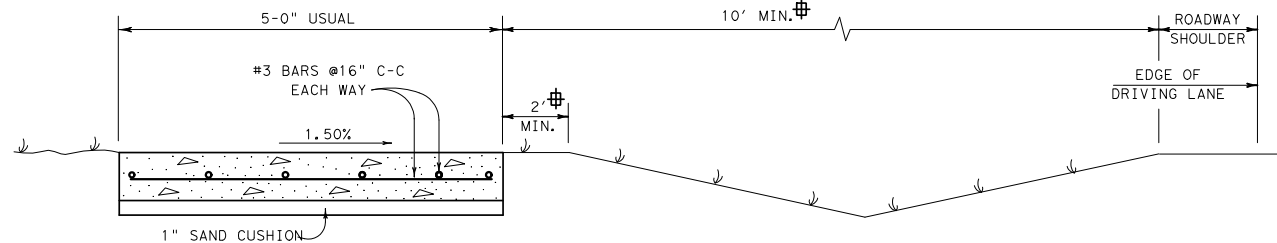


**SIDEWALK REMOTE FROM CURB**



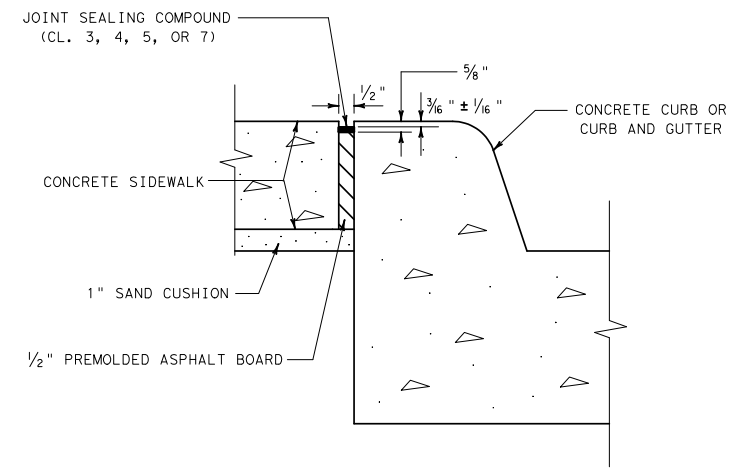
**REINFORCING STEEL DETAIL**

**SPECIAL CONCRETE SIDEWALK w/ RETAINING WALL**



**CONCRETE SIDEWALK (ROADWAY W/O CURB)**

⊕ SIDEWALK TO BE 10' MIN. FROM EDGE OF SHOULDER OR 2' MIN. FROM TOP OF DITCH BACK SLOPE, WHICHEVER IS GREATER (10' MIN. FROM EDGE OF SHOULDER IF NO DITCH.)



**1/2" EXPANSION JOINT (SIDEWALK ADJACENT TO CURB)**

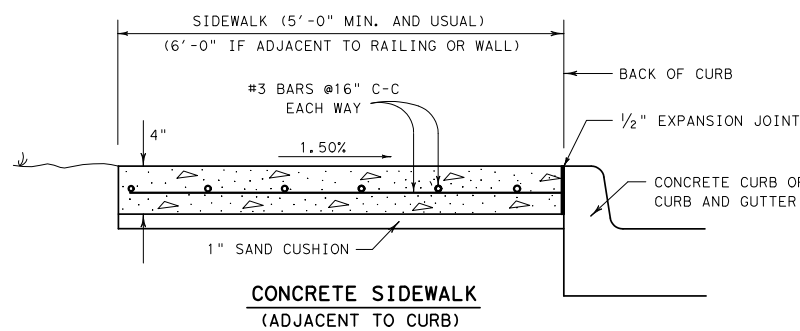
SEE PLAN SHEETS FOR LOCATIONS OF SIDEWALKS AND RETAINING WALLS.

LONGITUDINAL SLOPE OF SIDEWALKS SHALL NOT EXCEED 5% EXCEPT IN CASES WHERE THE ADJACENT ROADWAY SLOPE EXCEEDS 5%. IF ROADWAY SLOPE EXCEEDS 5%, LONGITUDINAL SLOPE OF SIDEWALK MAY MATCH THAT OF ROADWAY.

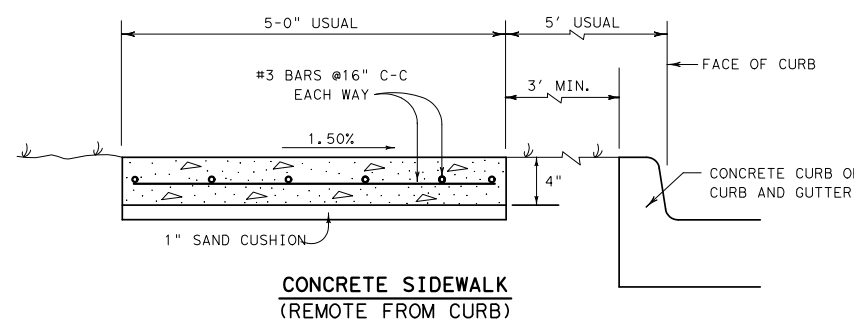
IF SIDEWALK WIDTH IS LESS THAN 5', PROVIDE 5' x 5' PASSING AREAS AT INTERVALS NOT TO EXCEED 200' SPACING.

WHERE SIDEWALK WITH RETAINING WALL IS SPECIFIED, RETAINING WALL WILL BE SUBSIDIARY TO THE ITEM, "CONCRETE SIDEWALK (SPECIAL) (RETAINING WALL)", WITH LIMITS OF PAY AS SHOWN HEREON.

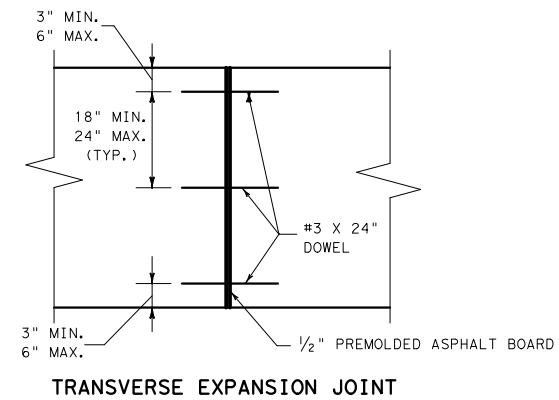
SURFACE TREATMENT OF RETAINING WALL FACE DETAILED ELSEWHERE IN THE PLANS.



**CONCRETE SIDEWALK (ADJACENT TO CURB)**



**CONCRETE SIDEWALK (REMOTE FROM CURB)**



**TRANSVERSE EXPANSION JOINT**

**CONCRETE SIDEWALK DETAILS**

Texas Department of Transportation  
**FORT WORTH DISTRICT**  
**CONCRETE SIDEWALK DETAILS**  
**CSWD-08 (FW)**

ORIGINAL DRAWING	FED. RD. DIV. NO.	PROJECT NO.	SHEET NO.
JUNE 2008	6		
REVISIONS:	STATE	DIST.	COUNTY
	TEXAS		
	CONT.	SECT.	JOB
			HIGHWAY NO.