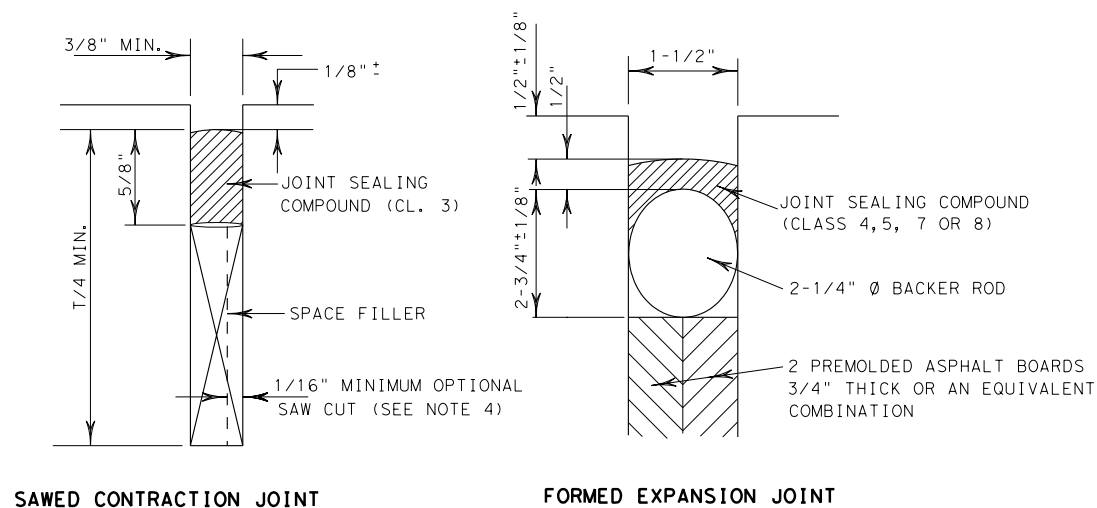


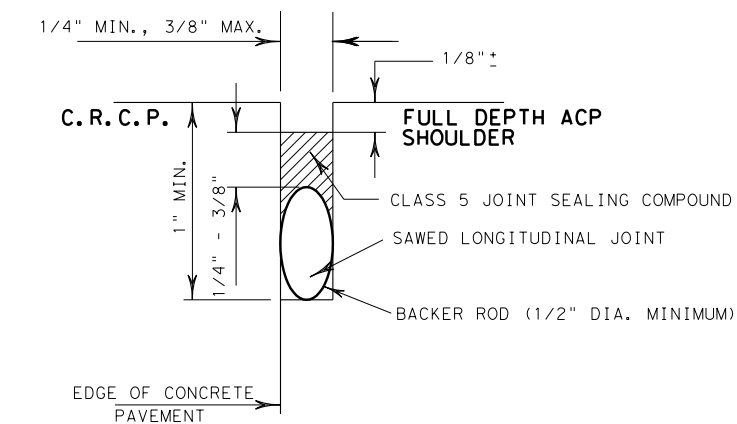
DISCLAIMER:
 The use of this standard is governed by the "Texas Engineering Practice Act". No warranty of any kind is made by TxDOT for any purpose whatsoever. TxDOT assumes no responsibility for the conversion of this standard to other formats or for incorrect results or damages resulting from its use.

http://www.dot.state.tx.us/ftw/specinfo/standard.htm js03fw.dgn

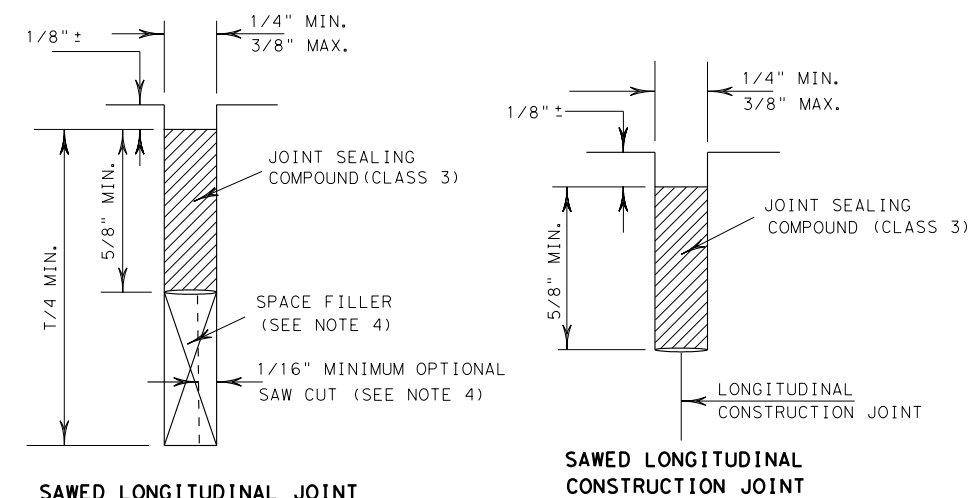
LEVELS DISPLAYED	
1	



TRANSVERSE JOINT SEALS



LONGITUDINAL SHOULDER JOINT SEAL



LONGITUDINAL JOINT SEALS

METHOD B: JOINT SEALING COMPOUND

GENERAL NOTES:

- METHOD "A" - PREFORMED COMPRESSION SEALS (CLASS 6 JOINT SEALANT) WILL NOT BE PERMITTED.
- LONGITUDINAL JOINTS SHALL BE SAWED AS DETAILED IN THE STANDARD SPECIFICATIONS OR AS SHOWN IN THE PLANS.
- TRANSVERSE JOINTS SHALL BE SAWED AND SHALL BE PLACED AS SHOWN ELSEWHERE IN THE PLANS.
- A SUITABLE SPACE FILLER SHALL BE USED WHERE SHOWN AND THE JOINT SEAL COMPOUND POURED TO THE DEPTH INDICATED, EXCEPT THAT IF THE MINIMUM SAW CUT IS USED, THE SPACE FILLER MAY BE OMITTED.
- AT THE CONTRACTOR'S OPTION, THE SPACE FILLER MAY BE OMITTED IN LONGITUDINAL JOINTS ONLY, AND THE JOINT SEALING COMPOUND POURED FULL DEPTH.
- BACKER RODS SHALL BE COMPATIBLE WITH THE CLASS OF SEALANT USED.
- CLASS 4 OR 5 JOINT SEALER, OR AS SHOWN IN THE PLANS, MAY BE USED IN SAWED JOINTS IN LIEU OF CLASS 3.
- BOTH FACES OF ALL JOINTS SHALL BE THOROUGHLY CLEANED BY SANDBLASTING AND AIRBLASTING, LEAVING A CLEAN, NEWLY EXPOSED CONCRETE SURFACE.
- IF CONCRETE PAVEMENT CONTAINS SILICEOUS RIVER GRAVEL, SAWED DEPTH SHALL BE T/3.

Texas Department of Transportation
 FORT WORTH DISTRICT
CONCRETE PAVING DETAILS
JOINT SEALS
JS-03 (FW)

DRAWING	DATE	FED. AD. DIV. NO.	STATE	PROJECT NO.	HIGHWAY
ORIGINAL	July 2003	6	TEXAS		
REVISED					
REVISED			STATE DIST.	COUNTY	CONT. SECT. JOB SHEET NO.
REVISED			FTW		