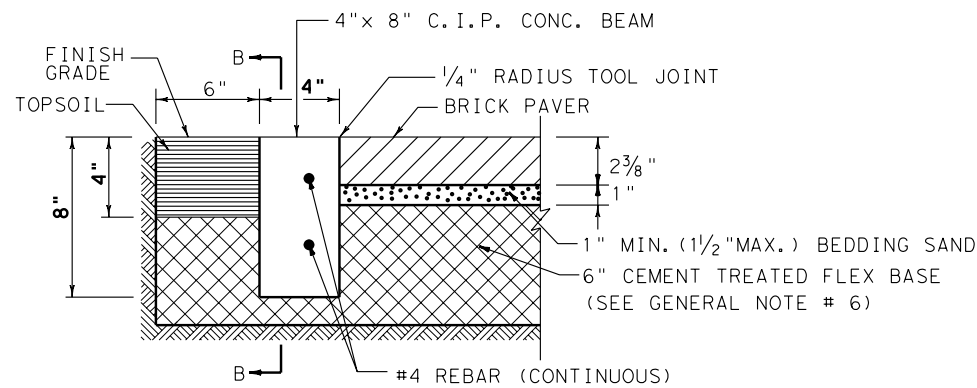


DISCLAIMER: The use of this standard is governed by the "Texas Engineering Practice Act". No warranty of any kind is made by TxDOT for any purpose whatsoever. TxDOT assumes no responsibility for the conversion of this standard to other formats or for incorrect results or damages resulting from its use.

http://www.dot.state.tx.us/ftp/spec/info/standard.htm lpdfw.dgn

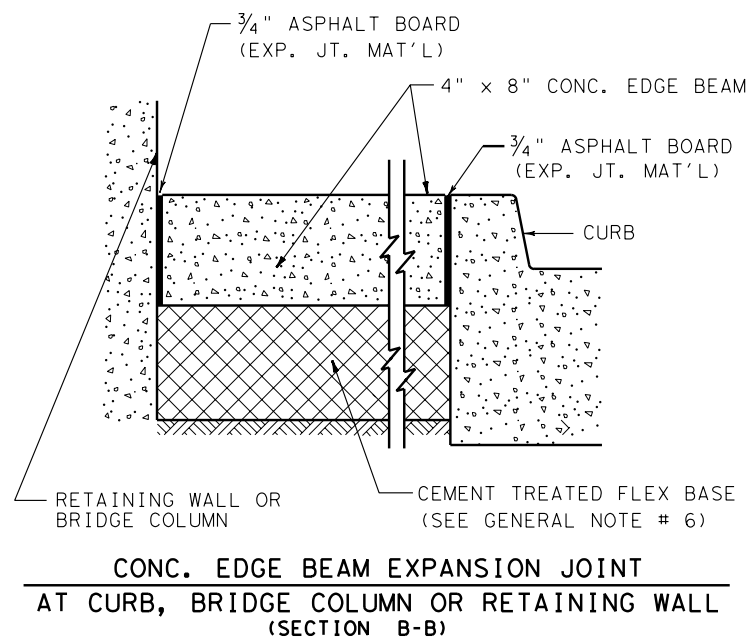
LEVELS DISPLAYED	
1	



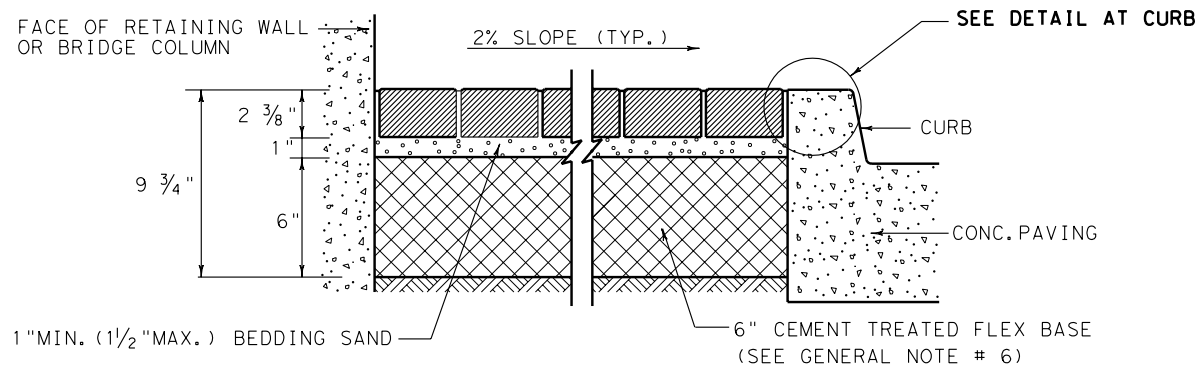
NOTES:

- EDGE BEAM SHALL BE STRAIGHT, OR FORM A SMOOTH CURVE, SO AS TO COMPLEMENT THE ALIGNMENT OF PAVING STONES.
- SIDES OF EDGE BEAM SHALL BE VERTICAL.

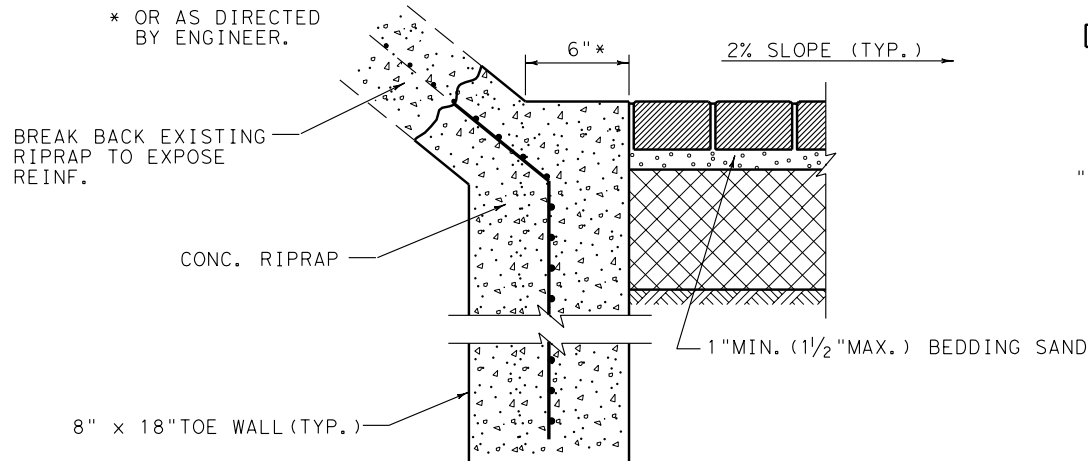
**CONC. EDGE & PAVER DETAIL
(SECTION A-A)**



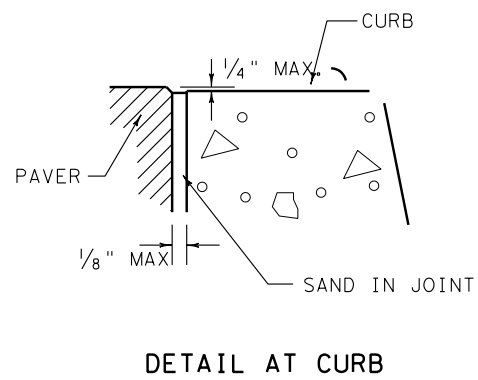
**CONC. EDGE BEAM EXPANSION JOINT
AT CURB, BRIDGE COLUMN OR RETAINING WALL
(SECTION B-B)**



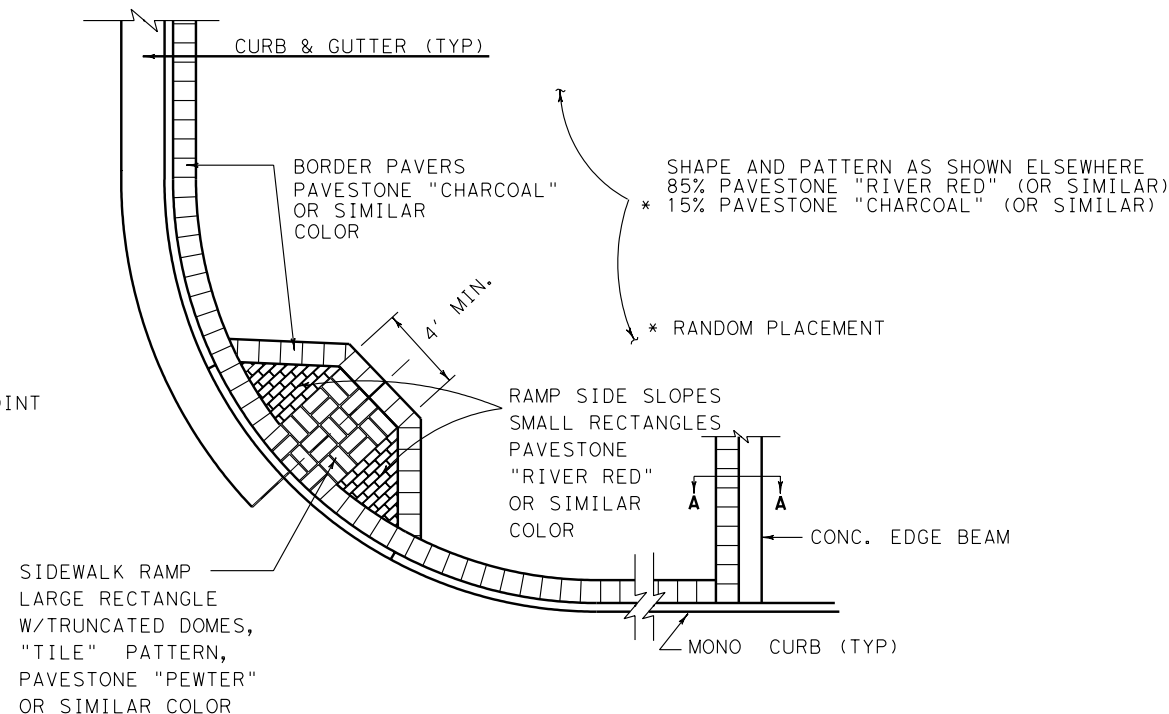
**PAVER DETAIL AT CURB & AT BRIDGE COLUMN
OR RETAINING WALL**



PAVER DETAIL AT RIPRAP SLOPE



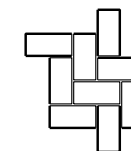
DETAIL AT CURB



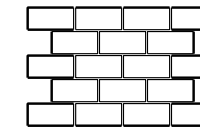
**TYPICAL PAVER LAYOUT
NOT TO SCALE**

GENERAL NOTES:

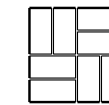
- Prior to placement of Flex Base, the area to be paved shall be rough graded, and clean of all trash, rocks, plants, roots etc. Materials removed shall be disposed of as directed by the Engineer.
- Locations, shapes and patterns shall be shown elsewhere in the plans.
- At locations where landscape pavers constitute a pedestrian walking area, slopes shall conform to the requirements of sidewalk and sidewalk ramp details shown elsewhere in the plans.
- Border pavers shall be rectangular in shape. The dimensions shall be as approved by the Engineer.
- Density requirements for Flex Base may be waived, if approved by the engineer.
- Ty IP Cement shall be added to the Flex Base in accordance with Item 275 or 276 at a rate of 4% by weight. No strength is specified. 6" Type "B" Hot Mix or 6" Class "B" Concrete may be used in lieu of Cement Treated Flex Base.
- Furnishing and installation of Flex Base, Cement, Bedding Sand, Expansion Joint Material, Joint Sand, and all other materials or labor necessary to complete the work will not be paid for directly, but will be considered subsidiary to Landscape Pavers.



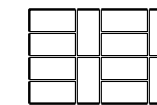
"HERRINGBONE"



"RUNNER"



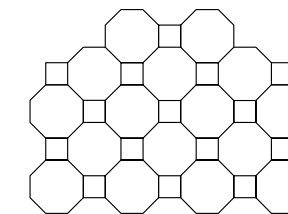
"TILE"



BASKETWEAVE"

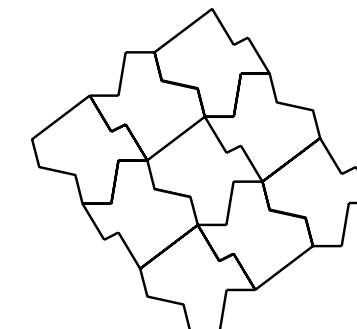
RECTANGULAR

- LARGE - PAVESTONE "HOLLAND-STONE" OR SIMILAR (4"±x8"±)
- SMALL - PAVESTONE "APPIAN-STONE" (1/2-SQUARE) OR SIMILAR (2 1/4"±x4 1/2"±)



"SQUARE - OCTAGON"

PAVESTONE "UNI-DECOR" OR SIMILAR



"TEXAS"

**PATTERN DETAILS
NOT TO SCALE**

NOTE: Paver shapes are for illustration only. Exact Paver shape and dimensions may differ by manufacturer.

FORT WORTH DISTRICT			
LANDSCAPE PAVER DETAILS			
LPD-00 (FW)			
FED. RD. DIV. NO.	PROJECT NO.	SHEET NO.	
6			
STATE	DIST.	COUNTY	
TEXAS			
CONT.	SECT.	JOB	HIGHWAY NO.

Revised April 2003
Add Base Options.
© 2003 by Texas Department of Transportation;
all rights reserved