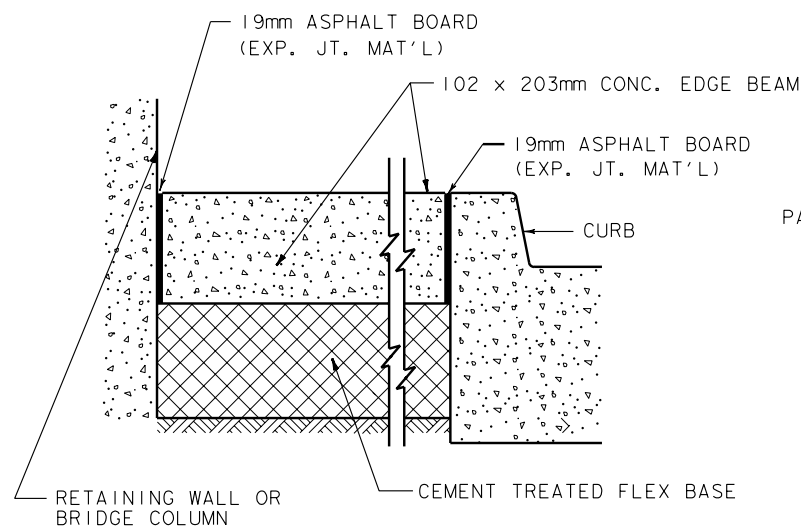


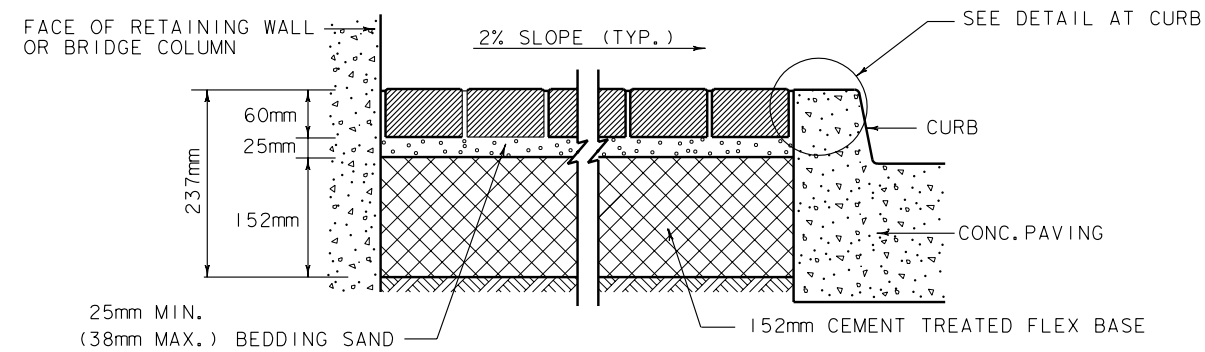
**NOTES:**

1. EDGE BEAM SHALL BE STRAIGHT, OR FORM A SMOOTH CURVE, SO AS TO COMPLEMENT THE ALIGNMENT OF PAVING STONES.
2. SIDES OF EDGE BEAM SHALL BE VERTICAL.

**CONC. EDGE & PAVER DETAIL  
(SECTION A-A)**

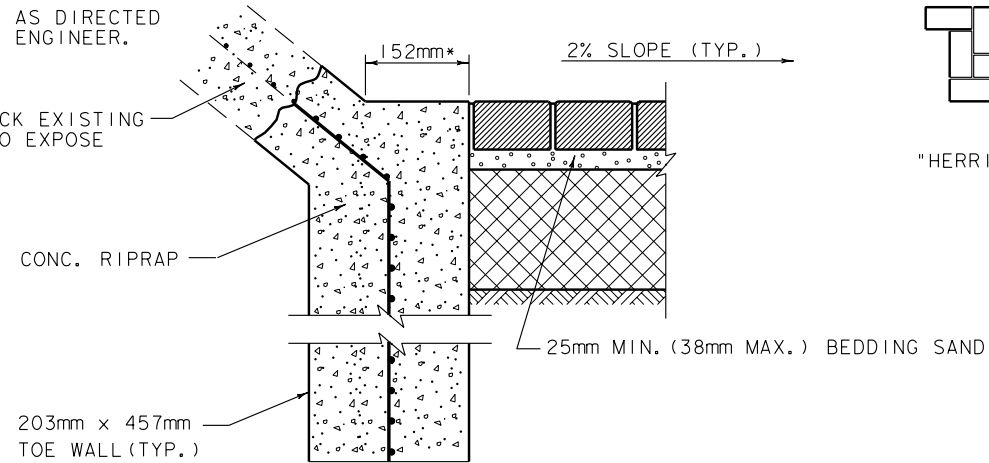


**CONC. EDGE BEAM EXPANSION JOINT  
AT CURB, BRIDGE COLUMN OR RETAINING WALL  
(SECTION B-B)**

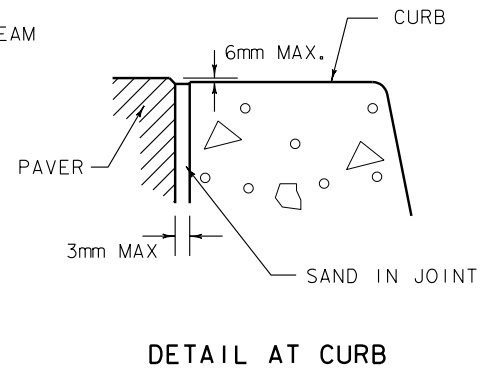


**PAVER DETAIL AT CURB & AT BRIDGE COLUMN  
OR RETAINING WALL**

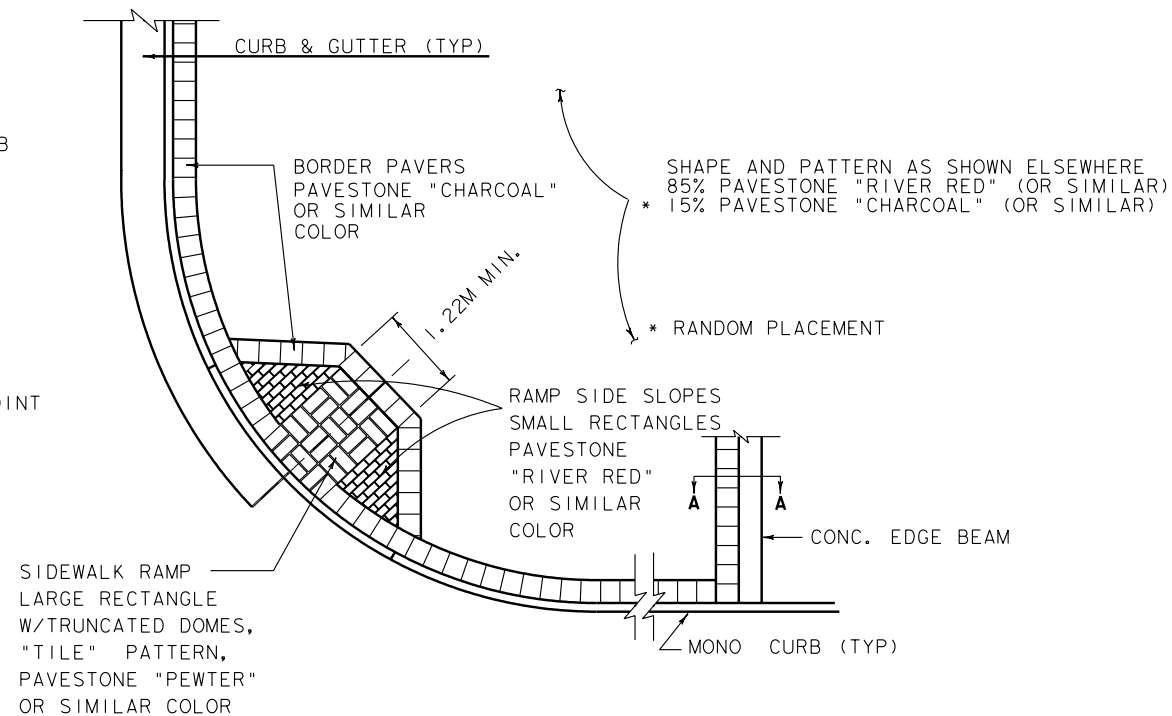
\* OR AS DIRECTED BY ENGINEER.  
BREAK BACK EXISTING RIPRAP TO EXPOSE REINF.



**PAVER DETAIL AT RIPRAP SLOPE**



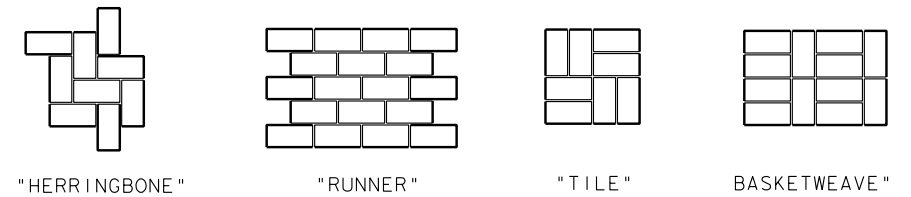
**DETAIL AT CURB**



**TYPICAL PAVER LAYOUT  
NOT TO SCALE**

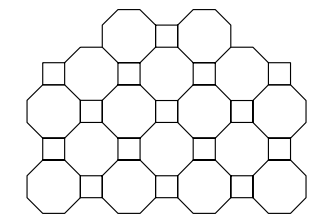
**GENERAL NOTES:**

1. Prior to placement of Flex Base, the area to be paved shall be rough graded, and clean of all trash, rocks, plants, roots etc. Materials removed shall be disposed of as directed by the Engineer.
2. Locations, shapes and patterns shall be shown elsewhere in the plans.
3. At locations where landscape pavers constitute a pedestrian walking area, slopes shall conform to the requirements of sidewalk and sidewalk ramp details shown elsewhere in the plans.
4. Border pavers shall be rectangular in shape. The dimensions shall be as approved by the Engineer.
5. Density requirements for Flex Base may be waived, if approved by the engineer.
6. Ty IP Cement shall be added to the Flex Base in accordance with Item 275 or 276 at a rate of 4% by weight. No strength is specified.
7. Furnishing and installation of Flex Base, Cement, Bedding Sand, Expansion Joint Material, Joint Sand, and all other materials or labor necessary to complete the work will not be paid for directly, but will be considered subsidiary to Landscape Pavers.

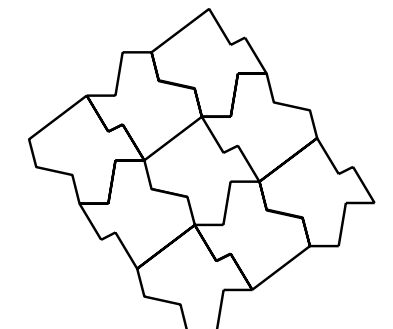


**RECTANGULAR**

- LARGE - PAVESTONE "HOLLAND-STONE" OR SIMILAR  
102mm ± x 203mm ±
- SMALL - PAVESTONE "APPIAN-STONE" (1/2-SQUARE) OR SIMILAR  
57mm ± x 114mm ±



**"SQUARE - OCTAGON"  
PAVESTONE "UNI-DECOR" OR SIMILAR**



**"TEXAS"**

**PATTERN DETAILS  
NOT TO SCALE**

**NOTE:**

Paver shapes are for illustration only. Exact Paver shape and dimensions may differ by manufacturer.

f:\p:\ftw-tpd-ws\13\pub\lic\standards\eng\l1shstd\lpdfwm.dgn

 <b>FORT WORTH DISTRICT</b>			
<b>LANDSCAPE PAVER DETAILS</b>			
<b>LPD-00 (M) (FW)</b>			
FED. RD. DIV. NO.	PROJECT NO.	SHEET NO.	
6	NH 2001 (46)		
STATE	DIST.	COUNTY	
TEXAS	FTW	TARRANT	
CONT.	SECT.	JOB	HIGHWAY NO.
0747	03	073	FMI57

Revised June 2000

© 2000 by Texas Department of Transportation,  
(512) 416-2055; all rights reserved