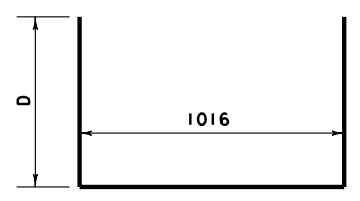
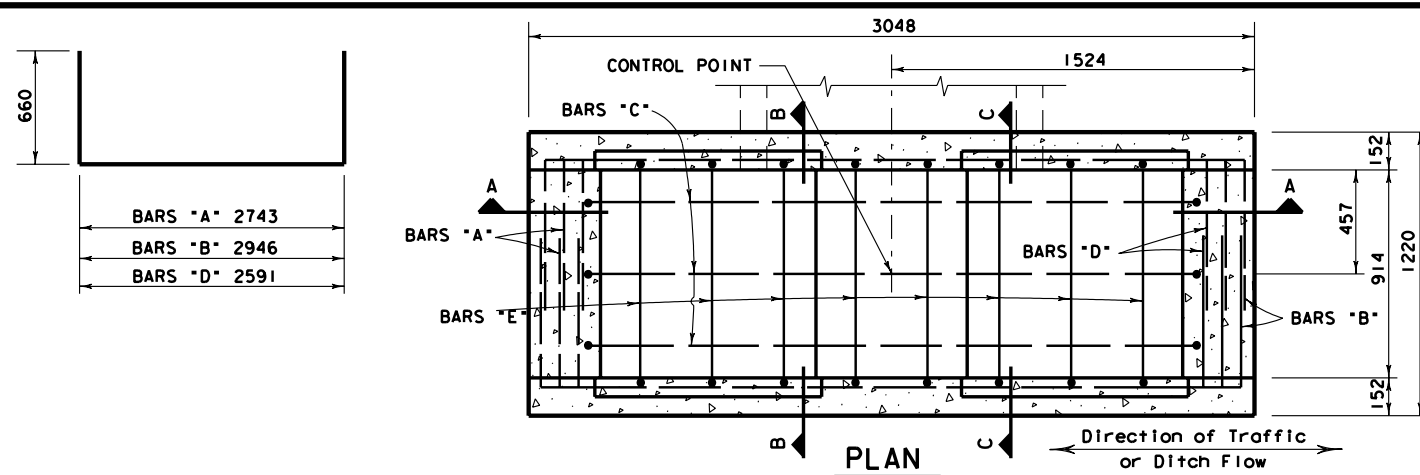
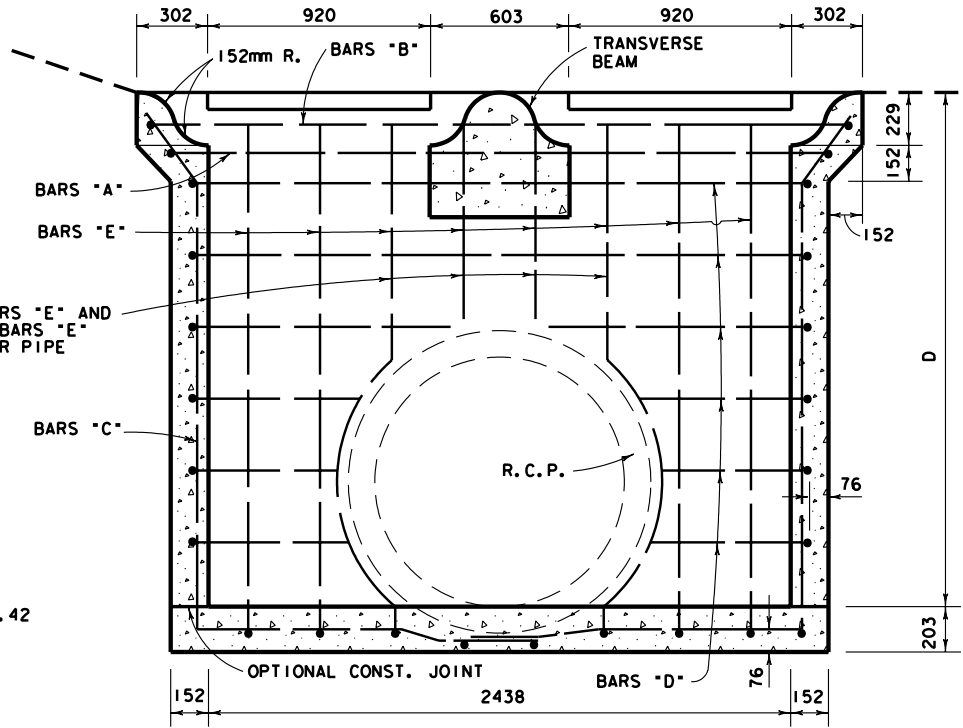


BARS	SIZE	SPAC.	D = 1220			D = 1525			D = 1830			D = 2135			D = 2440		
			NO.	LNTH.	WT.	NO.	LNTH.	WT.	NO.	LNTH.	WT.	NO.	LNTH.	WT.	NO.	LNTH.	WT.
A	No. 4	-	2	4064	8	2	4064	8	2	4064	8	2	4064	8	2	4064	8
B	No. 4	-	2	4267	9	2	4267	9	2	4267	9	2	4267	9	2	4267	9
C	No. 4	305	6	2743	16	6	3048	18	6	3353	20	6	3658	22	6	3962	24
D	No. 4	305	6	3912	23	8	3912	31	10	3912	39	12	3912	47	14	3912	54
E	No. 4	305	8	3454	28	8	4064	32	8	4674	37	8	5283	42	8	5893	47
STEPS	No. 6	305	2	864	4	3	864	6	4	864	8	5	864	10	6	864	12
L	No. 4	-	4	1321	5	4	1321	5	4	1321	5	4	1321	5	4	1321	5
T	No. 4	-	4	1626	13	4	1626	13	4	1626	13	4	1626	13	4	1626	13
TRANSVERSE BEAM	STEEL		18kg			18kg			18kg			18kg			18kg		
	CONC.		0.23m ³			0.23m ³			0.23m ³			0.23m ³			0.23m ³		
TOTAL STEEL, kg			106			122			139			155			171		
CL. "A" CONC. m ³			2.024			2.293			2.562			2.831			3.100		
D = 1220 TO D = 4570			ADD. STEEL			54kg/m			ADD. CONC.			0.883m ³ /m					

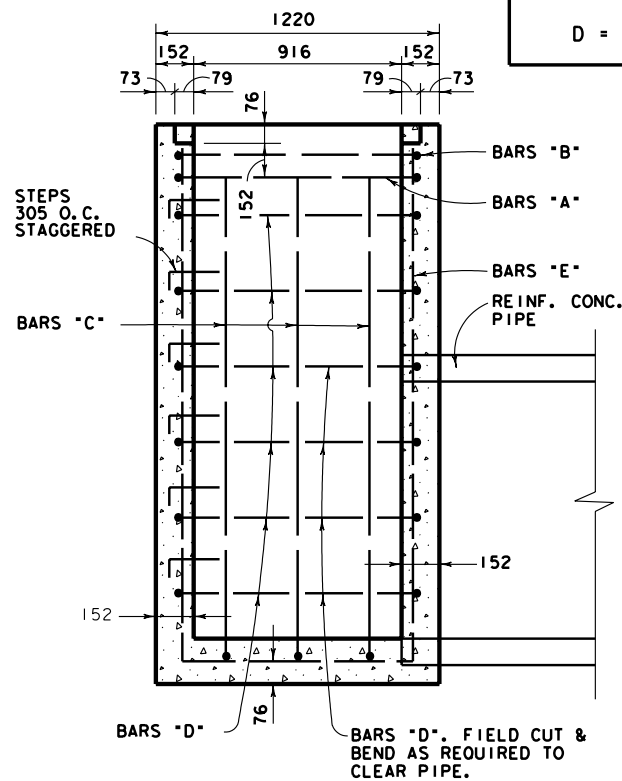


BARS E

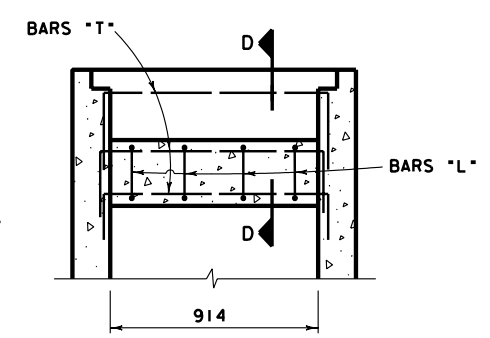
FIELD CUT CENTER BARS "E" AND FIELD BEND OUTSIDE BARS "E" AS REQUIRED TO CLEAR PIPE



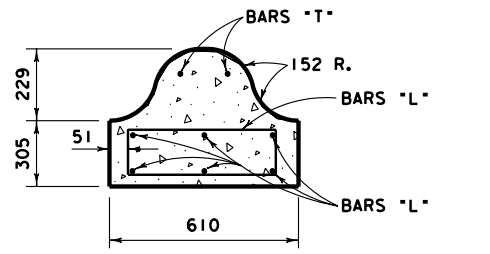
SECTION A-A



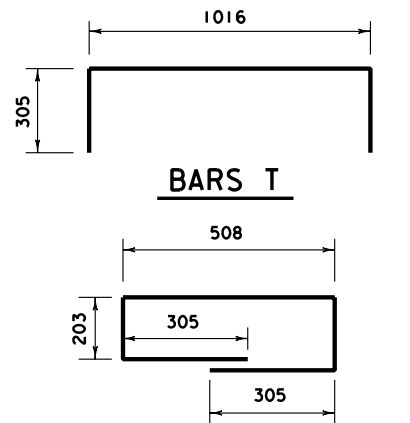
SECTION B-B



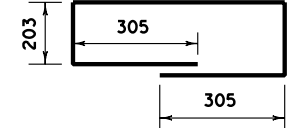
SECTION C-C



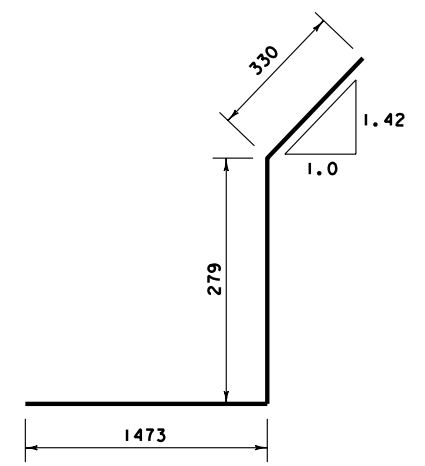
SECTION D-D



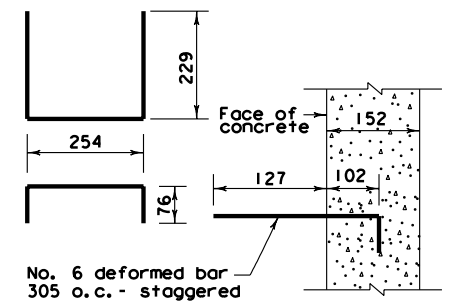
BARS T



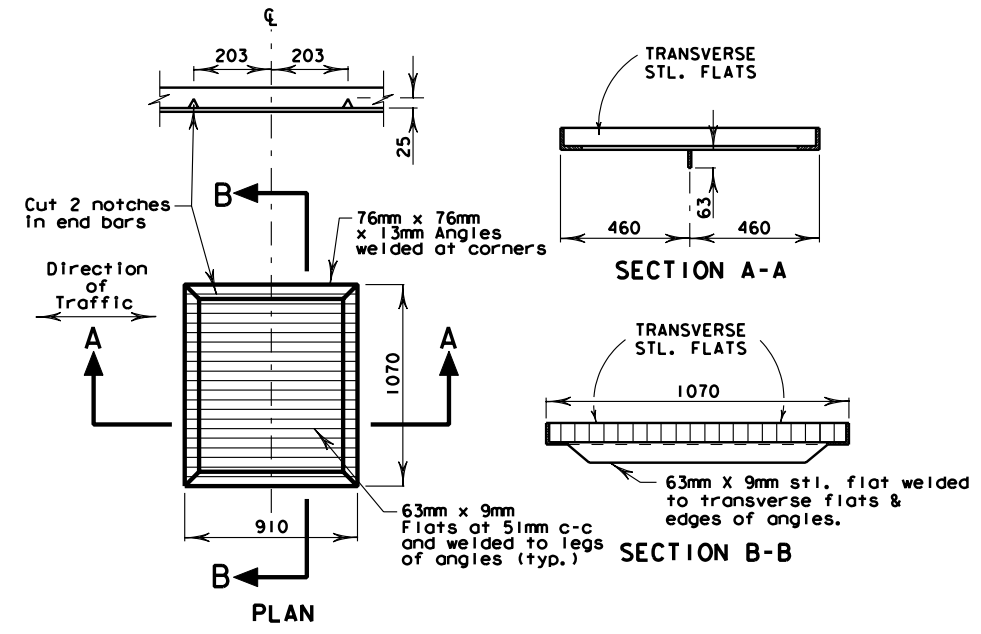
BARS L



BARS C



STEPS DETAIL



GRATE DETAIL

GENERAL NOTES:

1. ALL CONCRETE SHALL BE CLASS "A" CONCRETE.
2. ALL DIMENSIONS RELATING TO REINFORCING STEEL ARE TO CENTERS OF BARS. REINFORCING STEEL SHALL BE PLACED WITH THE CENTERS OF OUTSIDE LAYERS OF BARS 76mm FROM THE CONCRETE SURFACE.
3. GRATE SHALL CONFORM TO ITEM 471
4. LOCATION GIVEN IN PLANS IS TO CENTROID OF STRUCTURE.
5. ALL DIMENSIONS ARE mm UNLESS SHOWN OTHERWISE.

Pipe Diameter (mm)	Reduction One Pipe (m ³)
375	0.03
450	0.04
525	0.06
600	0.07
675	0.08
750	0.11
825	0.13
900	0.15
1050	0.20
1200	0.27

REVISIONS:

Texas Department of Transportation

TYPE E-E INLET DETAIL

MI-13(FW)(M)

© 1999 by Texas Department of Transportation
15120-1/6-2005, all rights reserved.

ORIG DRAW DATE:	DESIGN:	FED. REG.	STATE	FEDERAL AID PROJ NO.	HIGHWAY
MAR. 1996	CHECKED:	6	TEXAS		
	DRAWN:	DISTRICT	COUNTY	CONTROL SECTION	JOB SHEET
	CHECKED:	FTW			

P:\pub\11c\met\std\m131.htm.dgn