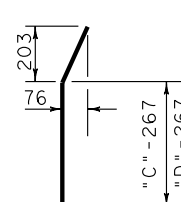
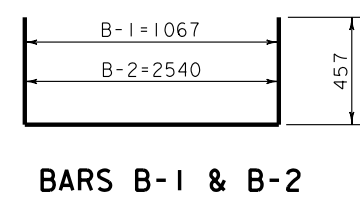
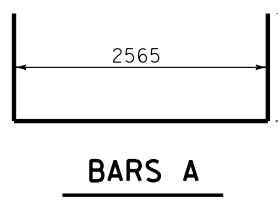
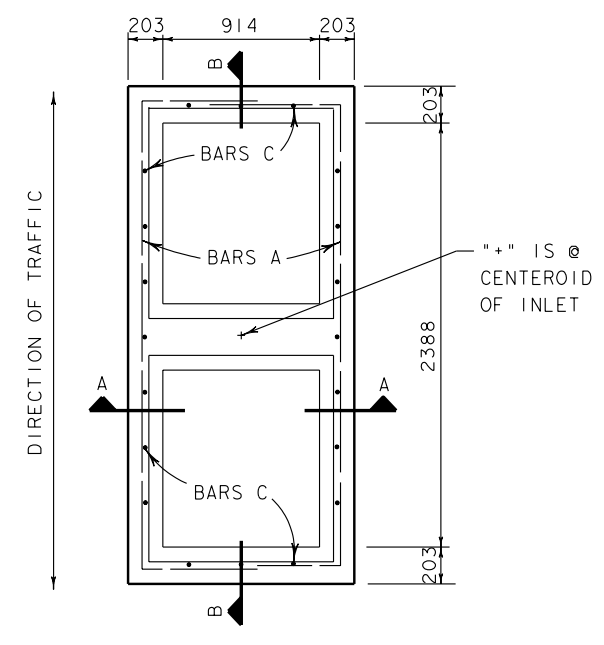


"MI" TABLE OF QUANTITIES
"D" = 1219

BARS A @ 305±		BARS B-1 @ 305±		BARS B-2 @ 305±		BARS C @ 305±		BARS R		BARS Q @ 229±		STEPS @ 305 (#6)	
NO.	LGTH.	NO.	LGTH.	NO.	LGTH.	NO.	LGTH.	NO.	LGTH.	NO.	LGTH.	NO.	LGTH.
10	4064	7	1981	3	3454	20	1156	4	1676	4	1118	3	864
TOTAL STEEL											104.62 kg		
TOTAL CONC.											2.65m ³		
ADDITIONAL STEEL											52.73 kg/m		
ADDITIONAL CONC.											1.508m ³ /m		

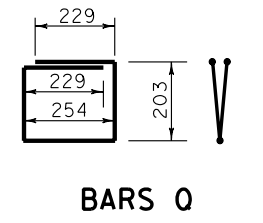
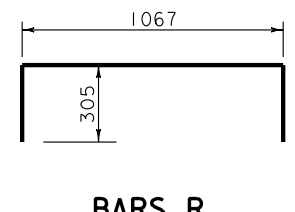


PLAN

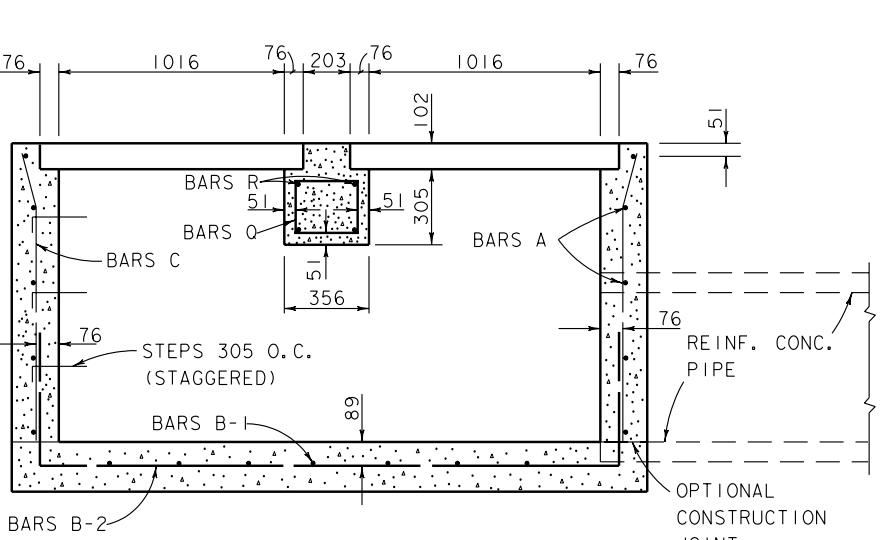
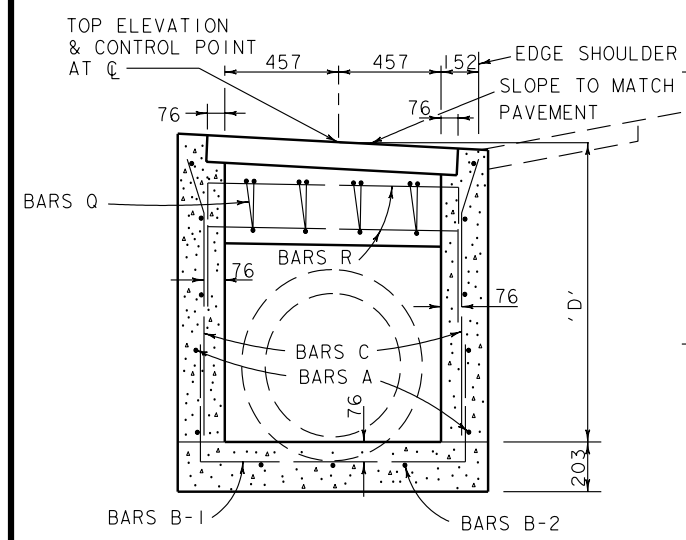


"M2" TABLE OF QUANTITIES
"C" = 457

BARS A @ 305±		BARS C @ 305±		BARS R		BARS Q @ 229±		STEPS @ 305 (#6)	
NO.	LGTH.	NO.	LGTH.	NO.	LGTH.	NO.	LGTH.	NO.	LGTH.
6	4064	20	394	4	1676	4	1118	1	864
TOTAL STEEL									45.36 kg
TOTAL CONC.									0.76m ³
ADDITIONAL STEEL									52.73 kg/m
ADDITIONAL CONC.									1.508m ³ /m



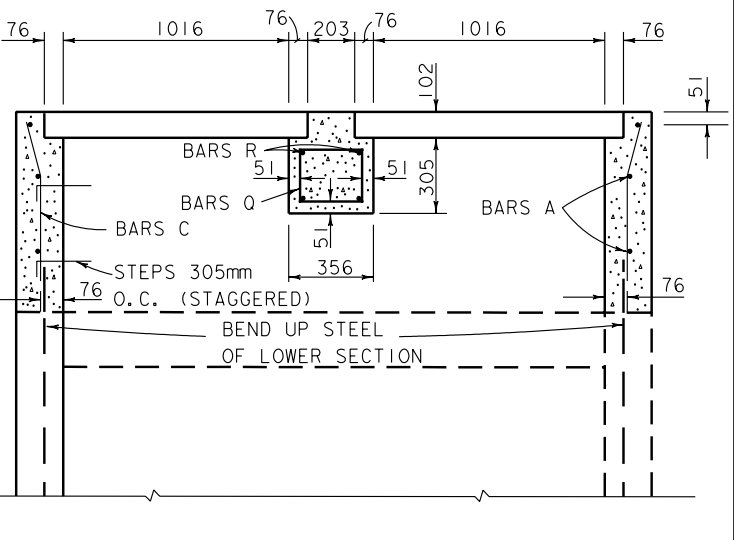
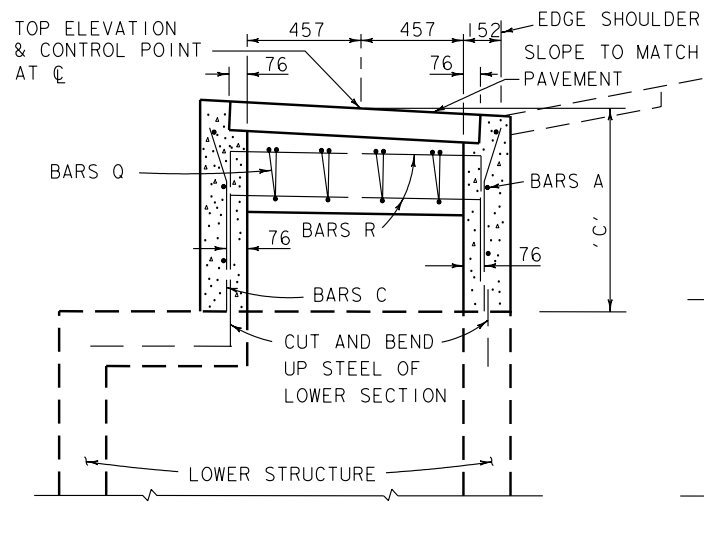
PLAN



SECTION A-A

SECTION B-B

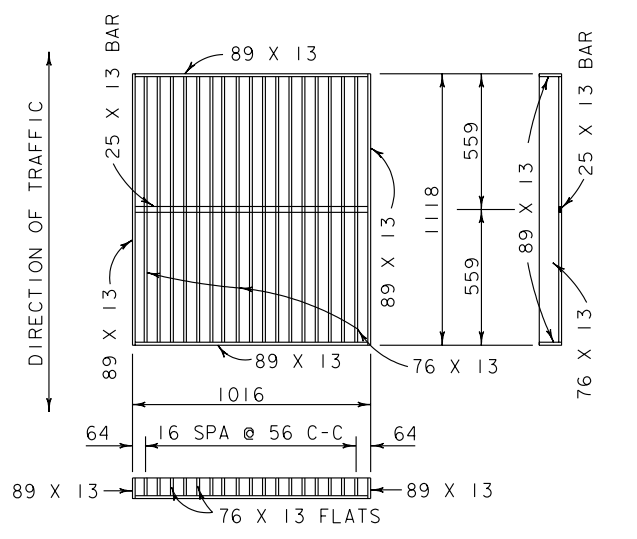
TYPE "MI" STRUCTURE



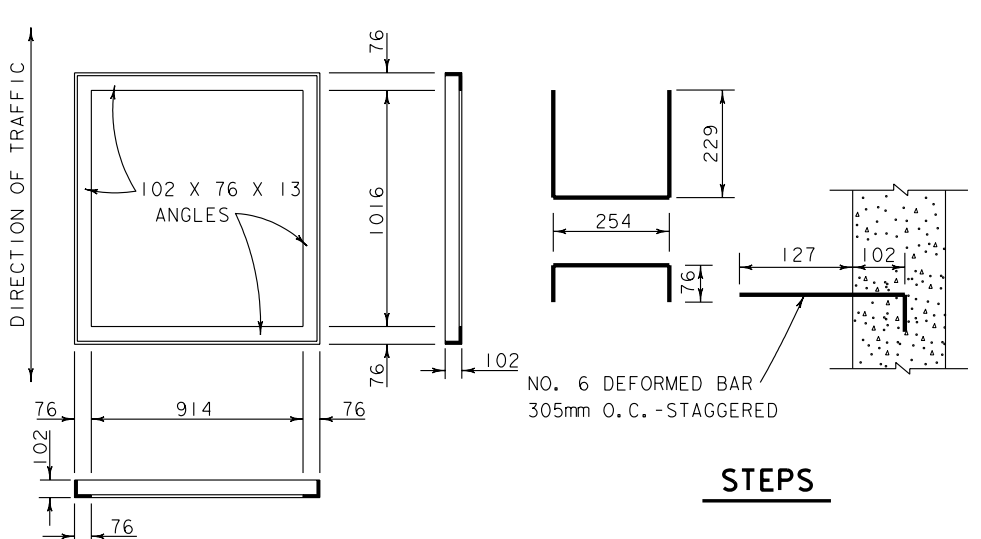
SECTION A-A

SECTION B-B

TYPE "M2" STRUCTURE



GRATE DETAIL



FRAME DETAIL

STEPS

CONCRETE QUANTITY REDUCTION TABLE

Pipe Diameter (mm)	Reduction One Pipe (m ³)
450	0.05
525	0.08
600	0.09
675	0.11
750	0.14
825	0.17
900	0.20
1050	0.28
1200	0.34
1350	0.44
1500	0.54

GENERAL NOTES:

- LOCATION GIVEN IN PLANS IS TO CENTROID OF TOP STRUCTURE. BOTTOM STRUCTURE SHALL BE POSITIONED TO PROVIDE A COMMON LONG WALL WITH THE TOP STRUCTURE.
- ALL CONCRETE SHALL BE CLASS "A".
- ALL DIMENSIONS ARE mm UNLESS SHOWN OTHERWISE.
- ALL REINFORCING STEEL SHALL BE NO. 4 BARS. STEPS ARE TO BE NO. 6 BARS. DIMENSIONS RELATING TO STEEL ARE TO CENTERS OF BARS. FIELD CUT AND BEND BARS AS REQUIRED TO ACCOMMODATE TIES TO LOWER STRUCTURE AND TO CLEAR PIPES.
- REDUCE CONCRETE QUANTITIES IN TABLES FOR AREA OF EACH PIPE IN STRUCTURE.
- GRATE AND FRAME SHALL CONFORM TO ITEM 471.

© 1999 by Texas Department of Transportation
15121 416-2025, all rights reserved.

Texas Department of Transportation

TYPES "MI" & "M2" GRATED INLETS

MI-5 (FW) (M)

ORIG. DATE:	DESIGN:	FED. REG.:	STATE:	FEDERAL AID PROJ. NO.:	HIGHWAY:
MAR. 1996	CHECKED:	6	TEXAS		
	DRAWN:	DISTRICT:	COUNTY:	CONTROL SECTION:	JOB SHEET:
	CHECKED:	FTW			

/pub/1/c/mets/d/mi5fw.m.dgn