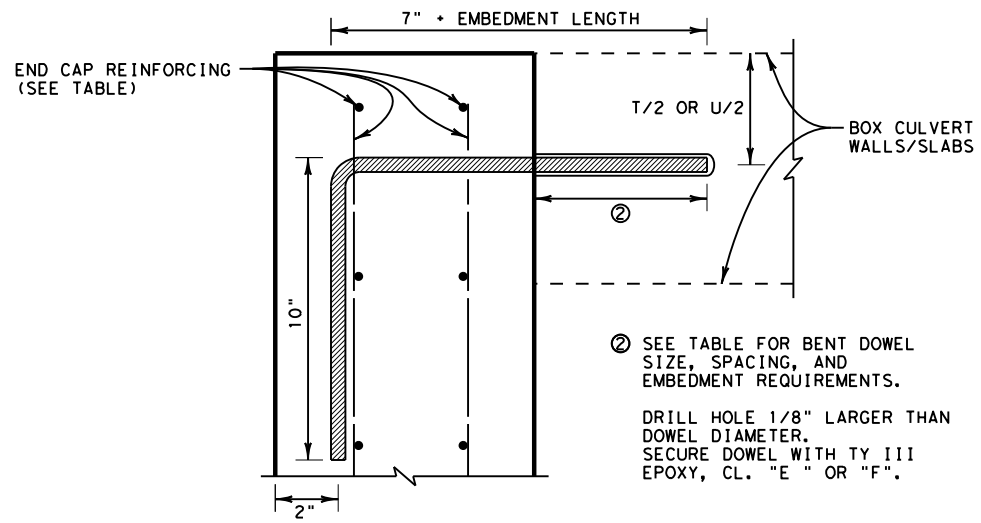


DISCLAIMER: THE USE OF THIS STANDARD IS GOVERNED BY THE "TEXAS ENGINEERING PRACTICE ACT". NO WARRANTY OF ANY KIND IS MADE BY TxDOT FOR ANY PURPOSE WHATSOEVER. TxDOT ASSUMES NO RESPONSIBILITY FOR THE CONVERSION OF THIS STANDARD TO OTHER FORMATS OR FOR INCORRECT RESULTS OR DAMAGES RESULTING FROM ITS USE.

http://www.dot.state.tx.us/ftw/specinfo/standard.htm  
 9/3/2019 3:40:13 PM  
 I:\GENDESIGN\District Hydraulics\inlet Standards Update\100% website\drainage\bcecd-ftw.dgn

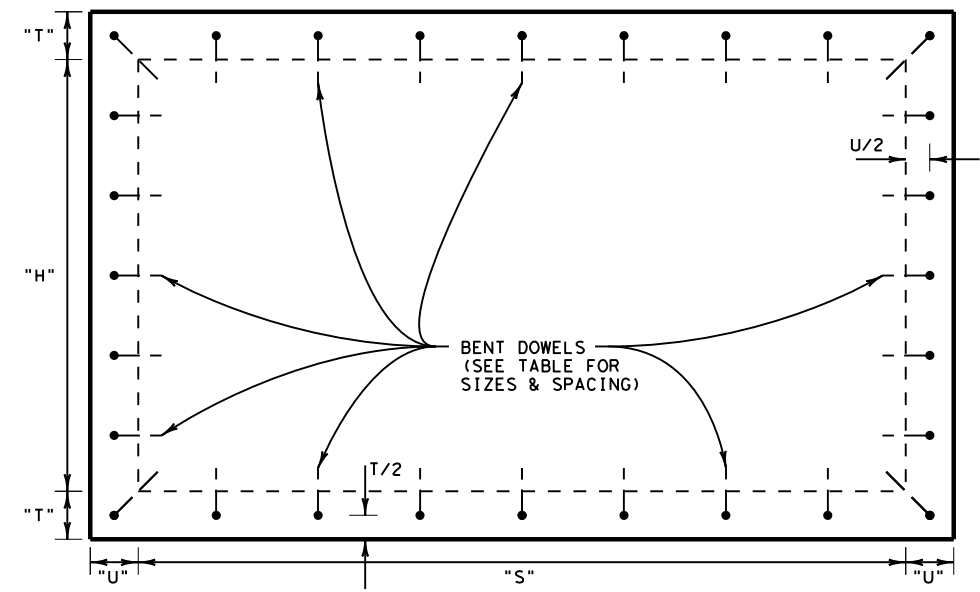


② SEE TABLE FOR BENT DOWEL SIZE, SPACING, AND EMBEDMENT REQUIREMENTS.  
 DRILL HOLE 1/8" LARGER THAN DOWEL DIAMETER.  
 SECURE DOWEL WITH TY III EPOXY, CL. "E" OR "F".

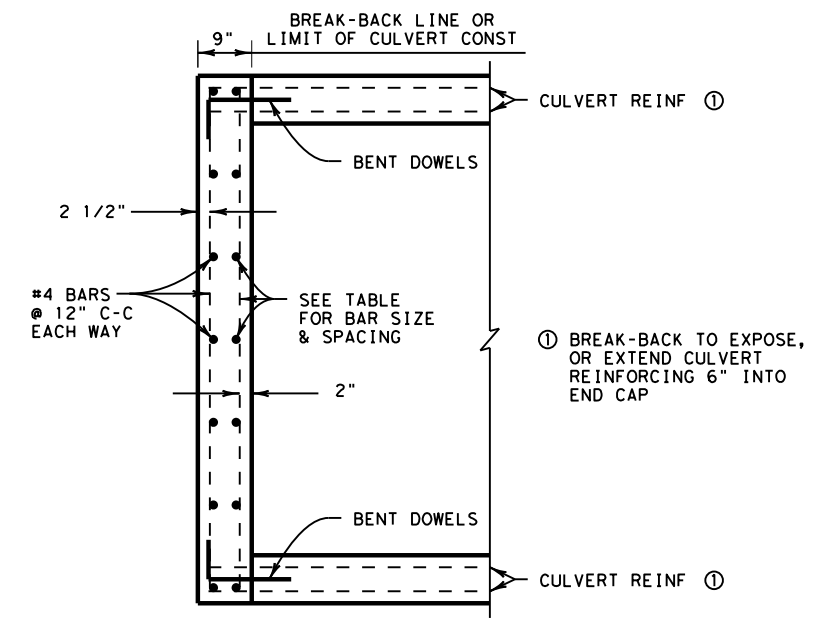
**BENT DOWEL DETAIL**  
 N. T. S.  
 (SEE TABLE FOR SIZES AND SPACING)

BENT DOWEL SIZE/SPACING/EMBEDMENT				BOX CULVERT - END CAP REINFORCEMENT				
"T" OR "U" (IN)	SIZE	SPACING	EMBEDMENT	"S" OR "H" (MAX)	INSIDE MAT OF REINFORCING			
					MAX FILL ≤ 15'		15' < MAX FILL ≤ 30'	
					SIZE	SPACING	SIZE	SPACING
4"	#3	6"	4"	< 4'	4	12"	4	12"
5"	#4	8"	5"	5'	4	12"	4	10"
6"	#4	8"	6"	6'	4	12"	5	11"
> 6"	#5	12"	6"	7'	4	10"	5	9"
				8'	5	12"	6	9"
				9'	5	10"	6	8"
				10'	5	9"	6	7"
				11'	5	8"	6	6"
				12'	5	8"	6	6"

OUTSIDE MAT OF REINFORCING: # 4 BARS @ 12" C-C EA WAY



**FRONT ELEVATION VIEW**  
 N. T. S.



**SIDE ELEVATION VIEW**  
 N. T. S.

**GENERAL NOTES**

1. ALL CONCRETE SHALL BE CLASS "C" EXCEPT AS NOTED.
2. ALL REINFORCING STEEL SHALL BE GRADE 60.
3. DIMENSIONS RELATING TO REINFORCING ARE TO CENTERS OF BARS.
4. PERMANENT FORMS MAY BE USED FOR INTERIOR FACE OF CAP.
5. WHEN CONSTRUCTED IN CONJUNCTION WITH NEW CULVERT INSTALLATION, END CAP MAY BE FORMED MONOLITHICALLY WITH CULVERT. FOR PRECAST CULVERT END CAPS, USE CLASS "H" CONCRETE, (MINIMUM DESIGN STRENGTH = 5000 PSI) AND SUBMIT SEALED ENGINEERING CALCULATIONS AND DRAWINGS FOR APPROVAL PRIOR TO FABRICATION

<b>BOX CULVERT          END CAP DETAILS          BC-ECD (FTW)</b>			
ORIGINAL DRAWING: 05/2019	BC-ECD-FTW.DGN	FED. RD. DIV. NO. 6	PROJECT NO.
DATE	REVISIONS	6	SHEET NO.
05/2019	REPLACES CEC (FTW)	STATE DIST. NO. TEXAS	COUNTY FTW
		CONT. SECT.	JOB HIGHWAY NO.