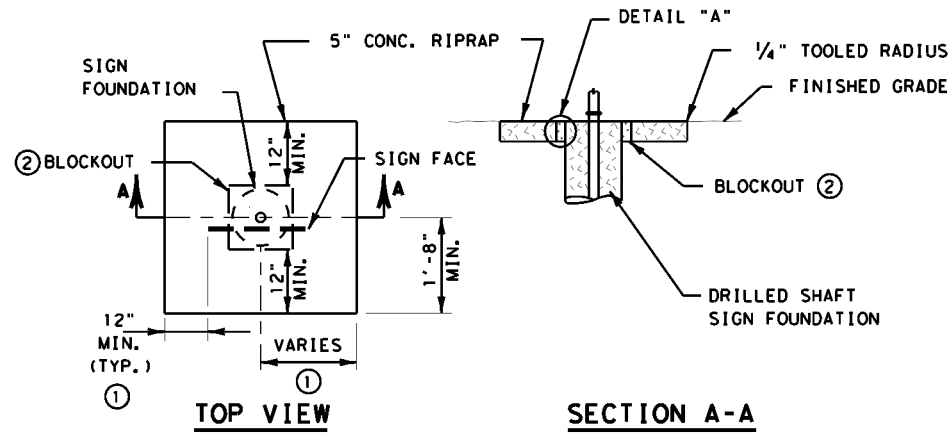
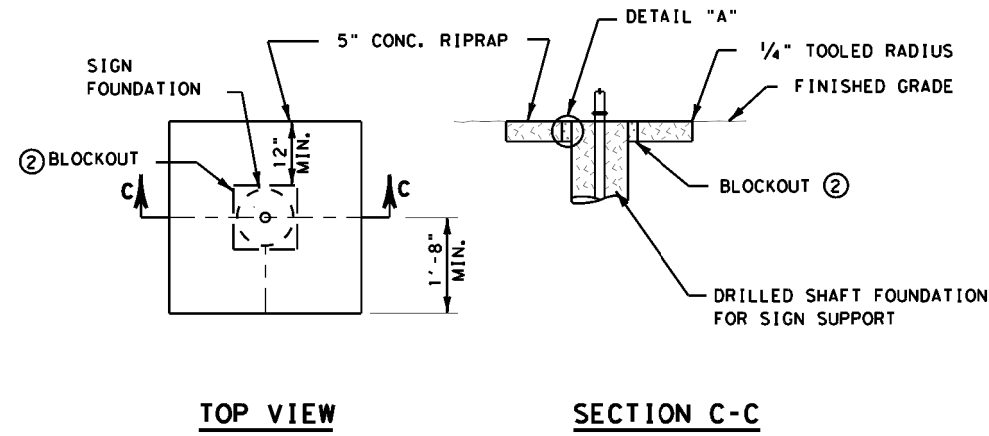


DISCLAIMER: THE USE OF THIS STANDARD IS COVERED BY THE "TEXAS ENGINEERING PRACTICE ACT". NO WARRANTY OF ANY KIND IS MADE BY TxDOT FOR ANY PURPOSE WHATSOEVER. TxDOT ASSUMES NO RESPONSIBILITY FOR THE CONVERSION OF THIS STANDARD TO OTHER FORMATS OR FOR INCORRECT RESULTS OR DAMAGES RESULTING FROM ITS USE.

https://www.dot.state.tx.us/ftw/specinfo/standard.htm  
 9/4/2019 11:44:48 AM  
 T:\CENTERS\District Hydraulics\Inlet Standards Update\100% website\roadway\crms-ftw.dgn



**SMALL ROADSIDE SIGNS**

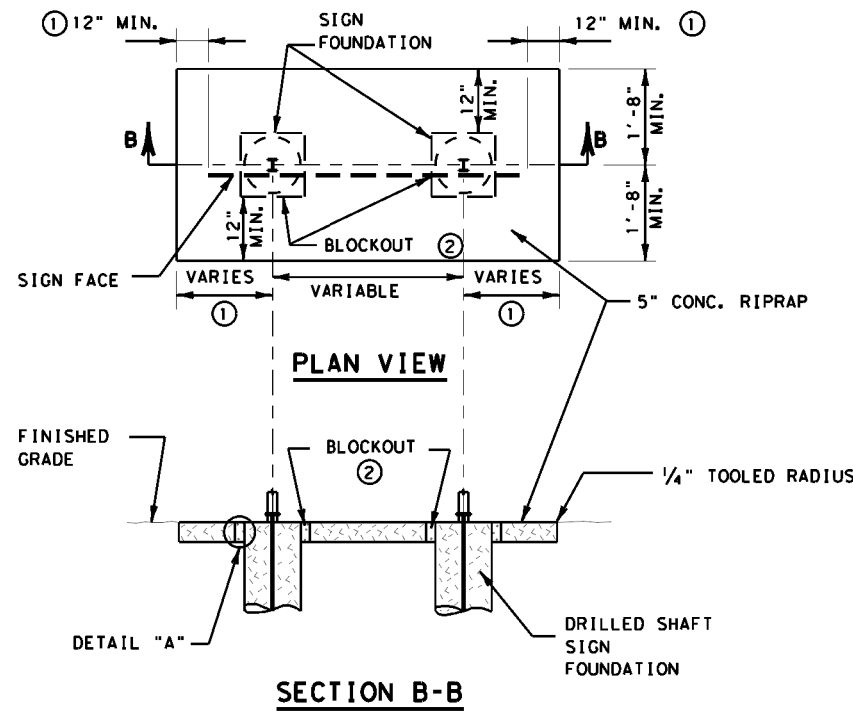


**CANTILEVER OR SINGLE COLUMN OVERHEAD SIGNS**

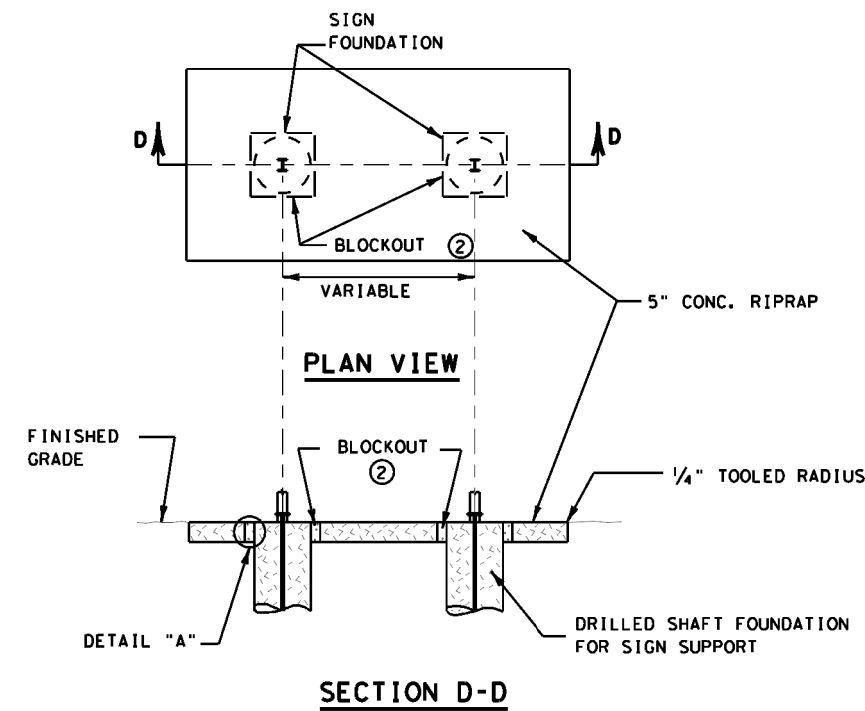
① FOR LARGE GROUND MOUNTED GUIDE SIGNS AND SMALL ROADSIDE SIGNS, THE RIPRAP SHOULD EXTEND 12" BEYOND THE OUTSIDE LATERAL EDGES OF THE SIGN. HOWEVER, IN THOSE INSTANCES WHERE THE EDGE OF THE SIGN DOES NOT EXTEND 12" FROM THE POST, THE RIPRAP SHOULD EXTEND 2' FROM THE CENTER OF THE DRILLED SHAFT FOUNDATION.

FOR OVERHEAD SIGN BRIDGES AND CANTILEVER SIGN MOUNTS THE CONCRETE RIPRAP SHALL EXTEND A MINIMUM OF 14" FROM THE FACE OF THE DRILLED SHAFT FOUNDATION.

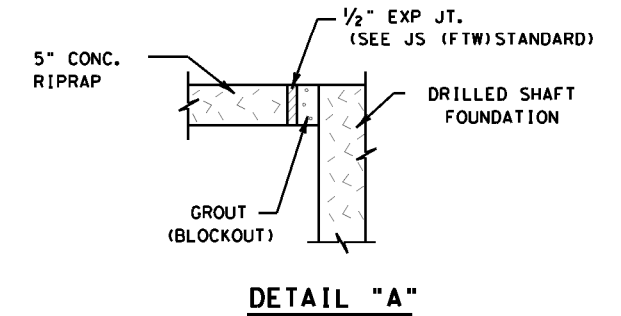
- ② 16" x 16" FOR 12" DIAM DRILLED SHAFT FOUNDATIONS
- 22" x 22" FOR 18" DIAM DRILLED SHAFT FOUNDATIONS
- 28" x 28" FOR 24" DIAM DRILLED SHAFT FOUNDATIONS
- 40" x 40" FOR 36" DIAM DRILLED SHAFT FOUNDATIONS
- 52" x 52" FOR 48" DIAM DRILLED SHAFT FOUNDATIONS
- 58" x 58" FOR 54" DIAM DRILLED SHAFT FOUNDATIONS



**LARGE GROUND MOUNTED GUIDE SIGNS**



**OVERHEAD SIGN BRIDGES**



**GENERAL NOTES**

THE THICKNESS OF THE CONCRETE RIPRAP SHALL NOT BE CONSIDERED IN DETERMINING DRILLED SHAFT LENGTHS FOR SIGN FOUNDATIONS.

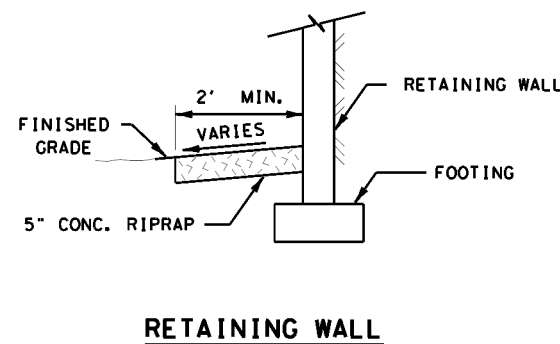
BLOCKOUTS FOR SIGN SUPPORTS TO BE FILLED WITH 2-SACK GROUT AFTER RIPRAP HAS BEEN PLACED.

THIS TREATMENT SHALL BE PROVIDED FOR ALL SIGNS AND RETAINING WALLS REQUIRING MOW STRIPS OR AS DIRECTED BY THE ENGINEER.

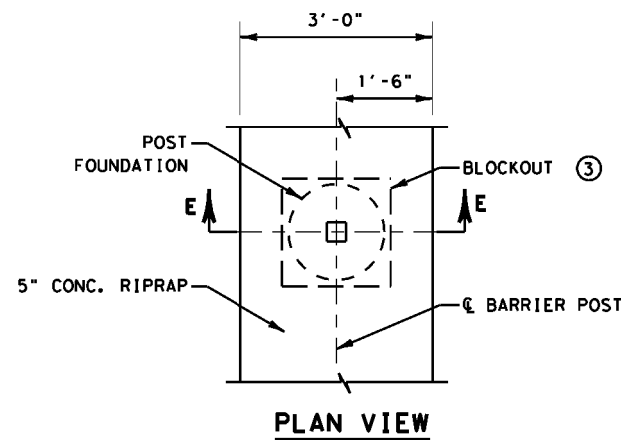
PAYMENT FOR RIPRAP SHALL BE IN ACCORDANCE WITH ITEM 432, "RIPRAP". GROUT WILL NOT BE PAID FOR DIRECTLY, BUT WILL BE CONSIDERED SUBSIDIARY TO THE VARIOUS BID ITEMS.

ALL RIPRAP CONCRETE SHALL BE CLASS "B"

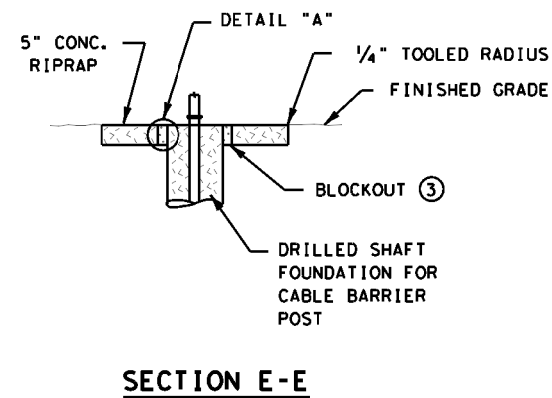
REINFORCEMENT FOR RIPRAP SHALL BE WWF 6x6-W2.9xW2.9 OR EQUIVALENT.



**RETAINING WALL**



**CABLE BARRIER**



**SECTION E-E**

©2019 by Texas Department of Transportation; All Rights Reserved

		Fort Worth District Standard	
<b>CONCRETE RIPRAP MOW STRIPS CRMS (FTW)</b>			
ORIGINAL DRAWING: 05/2019	crms-ftw.dgn	FED. RD. DEV. NO. 6	PROJECT NO.
DATE	REVISIONS	STATE	COUNTY
05/2019	REPLACES CRVC (FTW)	TEXAS	FTW
		CONT.	SECT. JOB HIGHWAY NO.