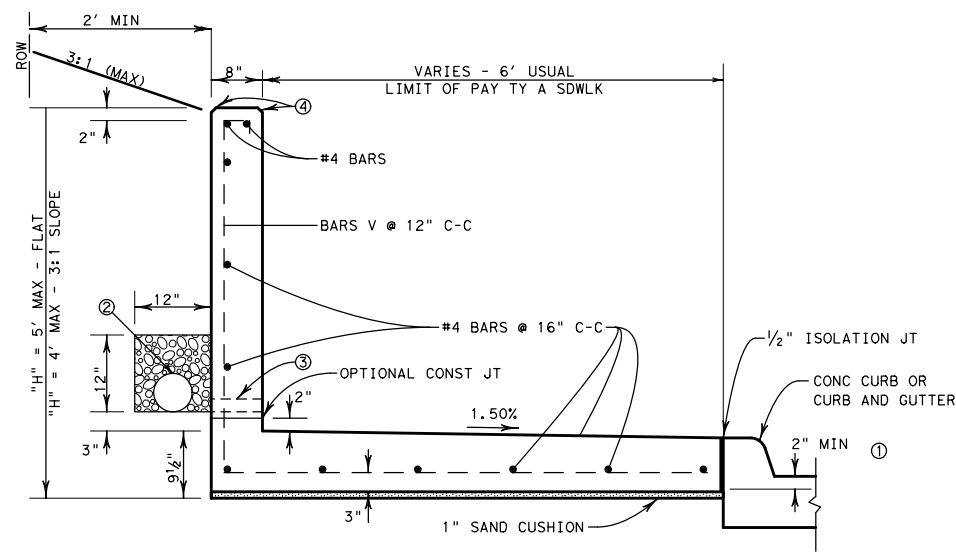
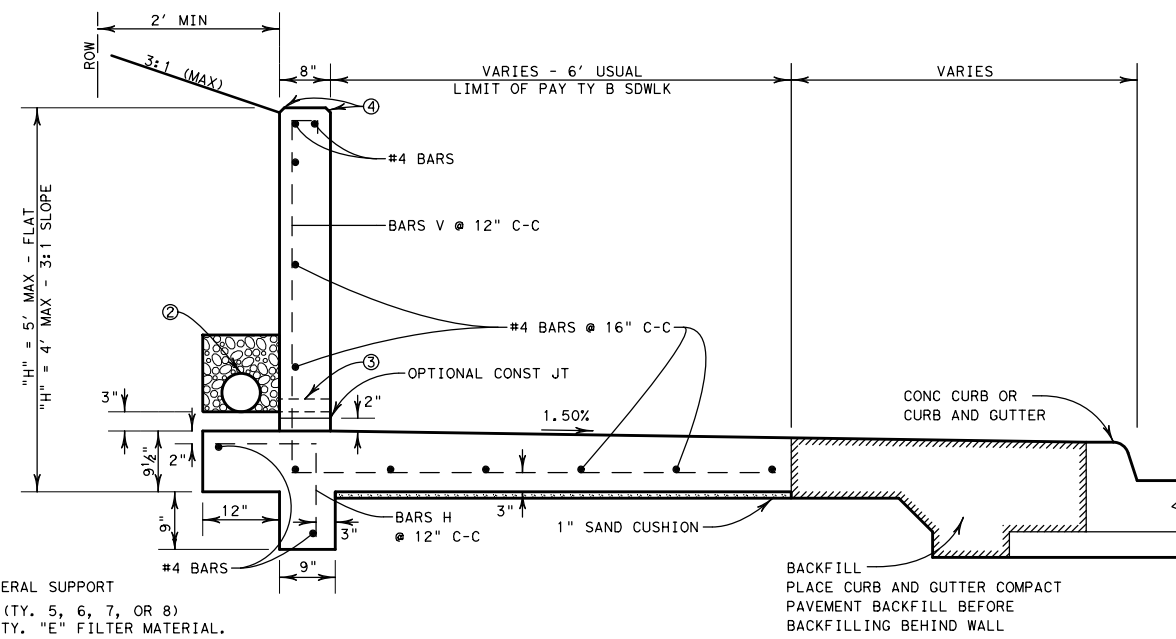


DISCLAIMER: THIS STANDARD IS COVERED BY THE "TEXAS ENGINEERING PRACTICE ACT". NO WARRANTY OF ANY KIND IS MADE BY TxDOT FOR ANY PURPOSE WHATSOEVER. TxDOT ASSUMES NO RESPONSIBILITY FOR THE CONVERSION OF THIS STANDARD TO OTHER FORMATS OR FOR INCORRECT RESULTS OR DAMAGES RESULTING FROM ITS USE.

http://www.dot.state.tx.us/ftw/specinfo/standard.htm
 11/24/2020 10:41:22 AM
 P:\PROJECTS\TXDOT\16121\5 FTW Standards Revision\CADD\Modifications in Progress\cswd-ftw.dgn



TYPE A SIDEWALK-ADJACENT TO CURB

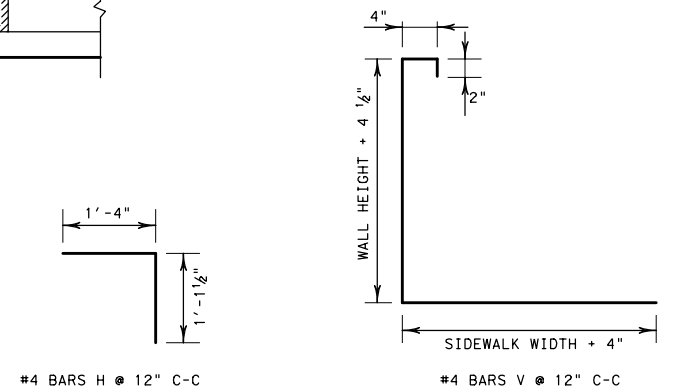
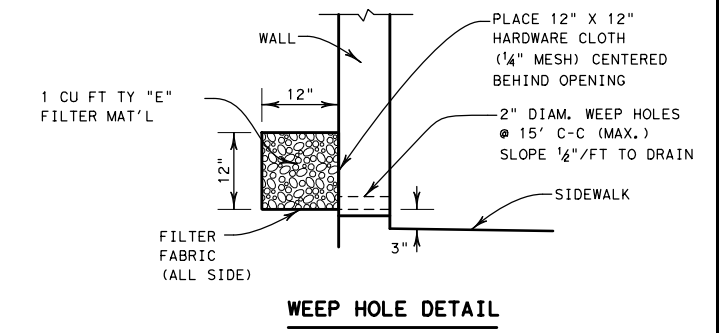


TYPE B SIDEWALK-REMOTE FROM CURB

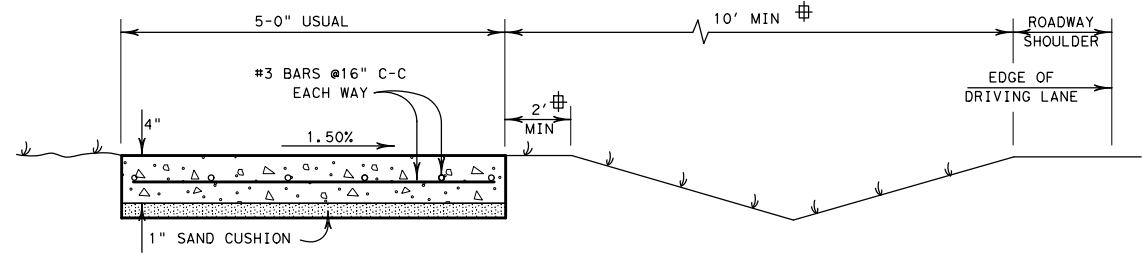
- ① 2" MINIMUM REQUIRED FOR LATERAL SUPPORT
- ② INSTALL 6" PIPE UNDERDRAIN (TY. 5, 6, 7, OR 8) ENTIRE LENGTH OF WALL. USE TY. "E" FILTER MATERIAL. SLOPE TO DRAIN AND CONNECT TO STORM DRAIN.
- ③ IF, IN THE OPINION OF THE ENGINEER, USE OF UNDERDRAIN IS IMPRACTICAL, INSTALL WEEP HOLES AS SHOWN.
- ④ 3/4" CHAMFER

SPECIAL CONCRETE SIDEWALK w/ INTEGRATED RETAINING WALL

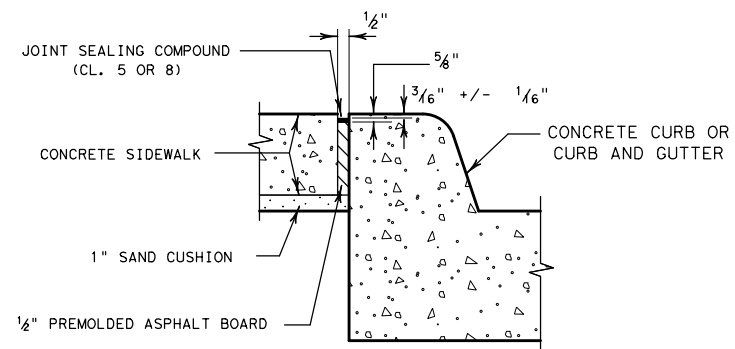
N. T. S.



REINFORCING STEEL DETAILS



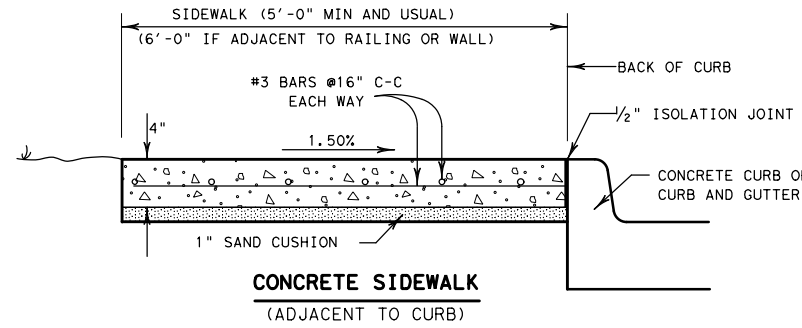
CONCRETE SIDEWALK (ROADWAY W/O CURB)



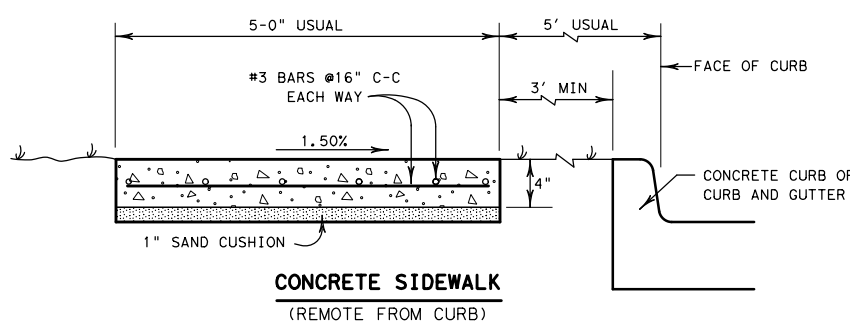
1/2" ISOLATION JOINT (SIDEWALK ADJACENT TO CURB)

GENERAL NOTES:

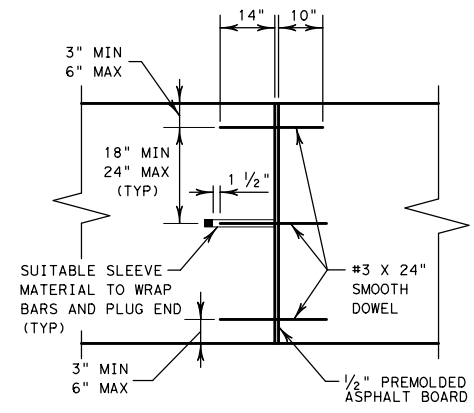
1. ALL CONCRETE SHALL BE CLASS "C".
2. ALL REINFORCING STEEL SHALL BE GRADE 60, # 4 BARS UNLESS OTHERWISE INDICATED.
3. SEE PLAN SHEETS FOR LOCATIONS OF SIDEWALKS AND RETAINING WALLS.
4. LONGITUDINAL SLOPE OF SIDEWALKS SHALL NOT EXCEED 5% EXCEPT IN CASES WHERE THE ADJACENT ROADWAY SLOPE EXCEEDS 5%. IF ROADWAY SLOPE EXCEEDS 5%, LONGITUDINAL SLOPE OF SIDEWALK MAY MATCH THAT OF ROADWAY.
5. IF SIDEWALK WIDTH IS LESS THAN 5', PROVIDE 5' X 5' PASSING AREAS AT INTERVALS NOT TO EXCEED 200' SPACING.
6. RETAINING WALL WILL BE SUBSIDIARY TO THE ITEM, "CONC SIDEWALKS (SPECIAL) (TYPE A)" OR "CONC SIDEWALKS (SPECIAL) (TYPE B)", WITH LIMITS OF PAY AS SHOWN.
7. SURFACE TREATMENT OF RETAINING WALL FACE DETAILED ELSEWHERE IN THE PLANS.
8. SEE PED STANDARDS FOR TREATMENT AT INTERSECTIONS AND CROSSWALKS.



CONCRETE SIDEWALK (ADJACENT TO CURB)



CONCRETE SIDEWALK (REMOTE FROM CURB)



TRANSVERSE EXPANSION JOINT

CONCRETE SIDEWALK DETAILS

N. T. S.

		Fort Worth District Standard	
<h2>CONCRETE SIDEWALK DETAILS</h2> <h3>CSWD (FTW)</h3>			
ORIGINAL DRAWING: 05/2019	cswd-ftw.dgn	PROJECT NO.	
DATE	REVISIONS	STATE	STATE DIST. NO.
05/2019	NEW STANDARD	TEXAS	FTW
11/2020	REVISE JOINT NOMENCLATURE, REVISE ALLOWABLE SEALANT TYPES	CONT.	SECT.
		JOB	HIGHWAY NO.

©2020 by Texas Department of Transportation; All Rights Reserved