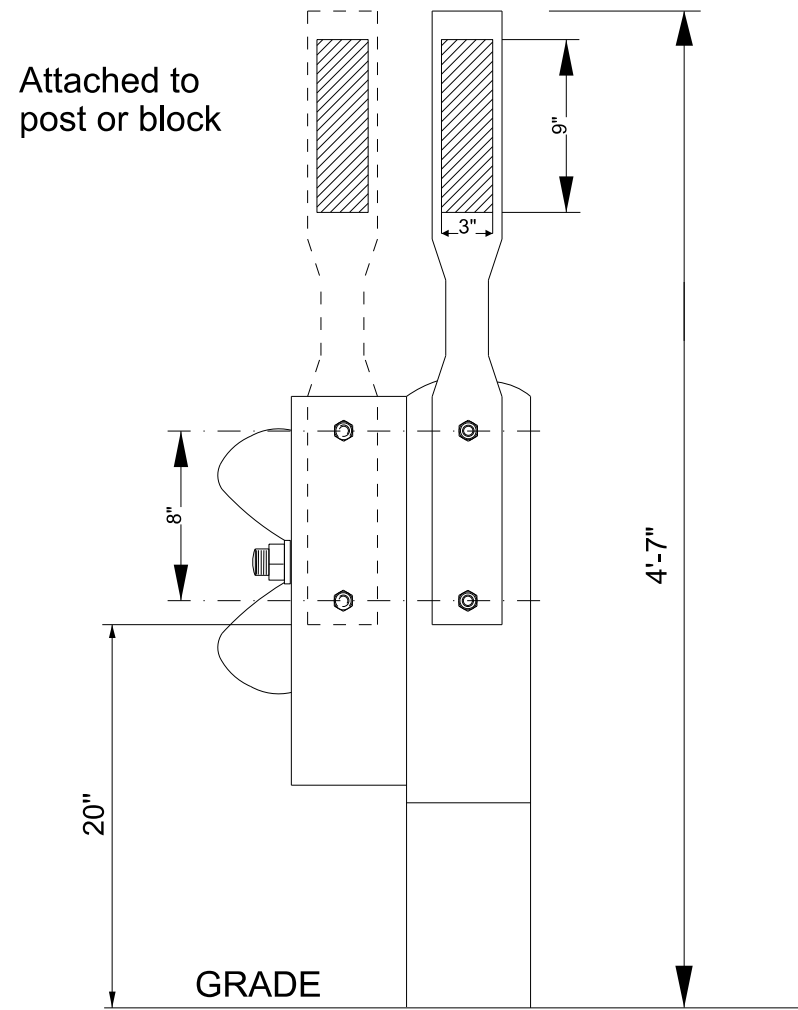
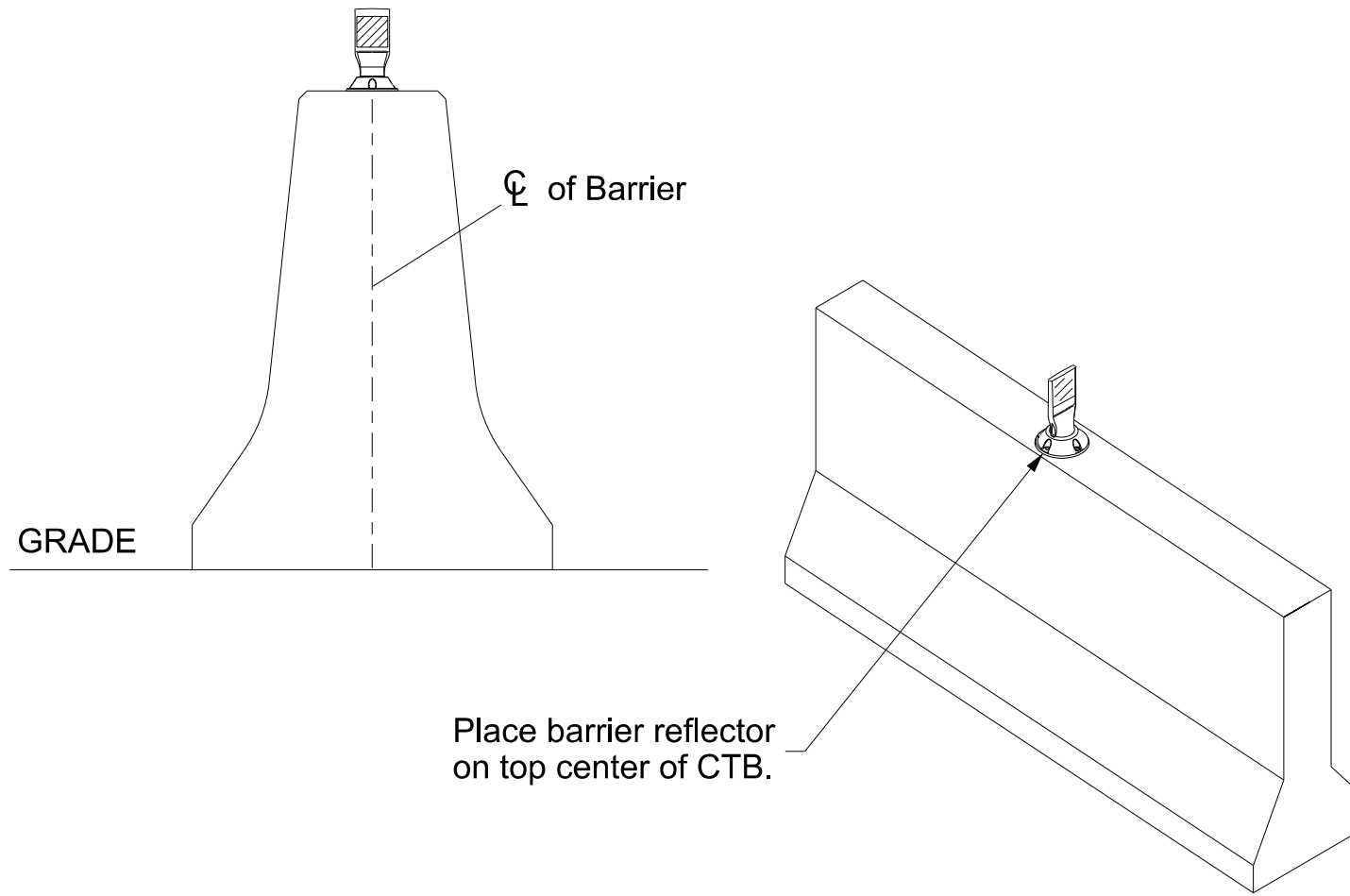


DISCLAIMER: THE USE OF THIS STANDARD IS GOVERNED BY THE "TEXAS ENGINEERING PRACTICE ACT", NO WARRANTY OF ANY KIND IS MADE BY TxDOT FOR ANY PURPOSE WHATSOEVER. TxDOT ASSUMES NO RESPONSIBILITY FOR THE CONVERSION OF THIS STANDARD TO OTHER FORMATS OR FOR INCORRECT RESULTS OR DAMAGES RESULTING FROM ITS USE.

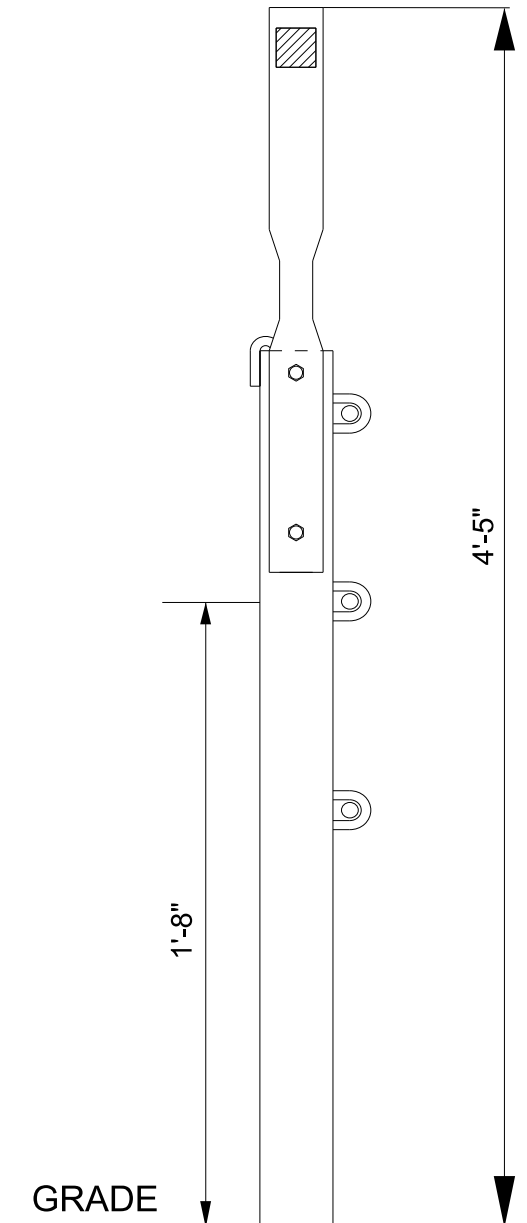
TYPICAL METAL BEAM GAURD FENCE



TYPICAL CONCRETE TRAFFIC BARRIER

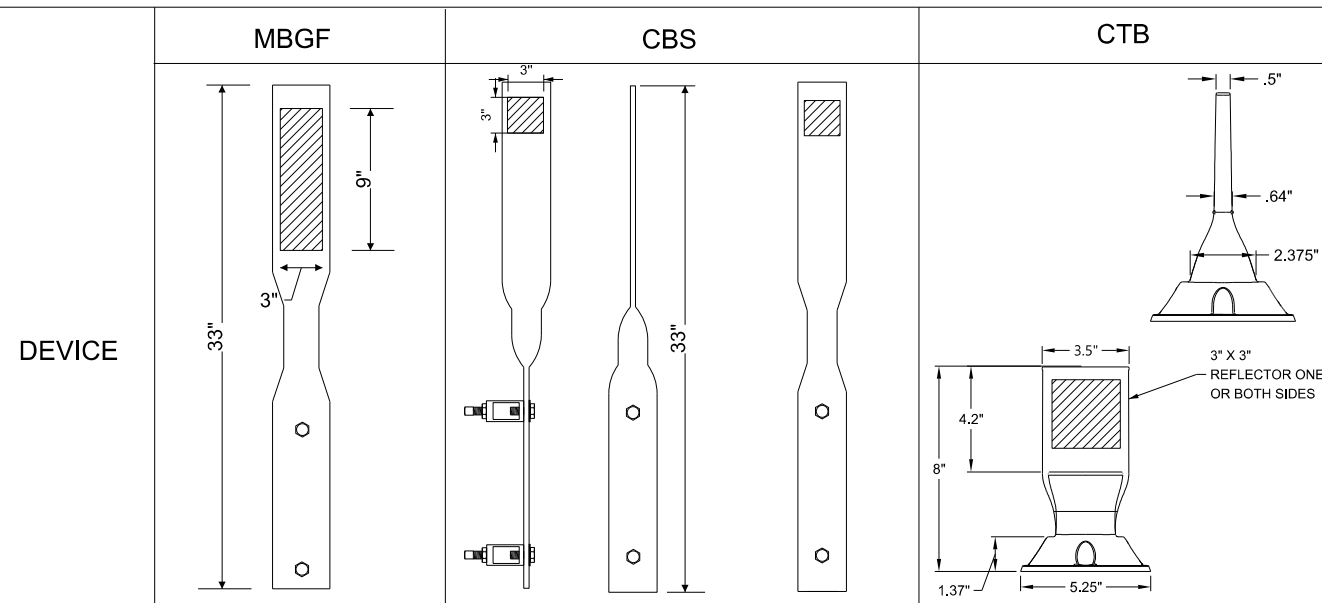


TYPICAL CABLE BARRIER SYSTEM



BARRIER REFLECTORS (BRF)

GENERAL NOTES



1. See "Flexible Delineator and Object Marker Posts" Material Producer List for approved devices.
2. Install per manufacturer's recommendations.
3. When separating opposing direction of travel, such as centerline or median use, the posts shall be yellow.
4. Barrier reflectors shall meet the requirements of DMS 8600.
5. Approved Barrier Reflectors are listed on the "Barrier Reflectors" Material Producer List at: www.txdot.gov.
6. Reflective sheeting shall have a minimum dimension of 3 inches and minimum surface area of 9 square inches.
7. Posts shall be permanently sealed at the top and have a 3-1/2 wide x 13" flattened surface to accommodate up to a 3" x 12" reflective sheet on both sides.
8. The delineator or barrier reflector color shall conform to the color of the pavement edge line on the side of the road where the delineators or barrier reflectors are placed.
9. Single red delineators may be mounted on the back side of the delineator posts for wrong way drive applications.

SHEETING Yellow, White & Red

DEPARTMENT MATERIAL SPECIFICATIONS

FLEXIBLE DELINEATOR & OBJECT MARKER POSTS (EMBEDDED & SURFACE MOUNT TYPES)	DMS-4400
SIGN FACE MATERIALS	DMS-8300
DELINEATORS, OBJECT MARKERS AND BARRIER REFLECTORS	DMS-8600



DELINEATOR &
OBJECT MARKER
D & OM (ST-FTW) - 21

ORIGINAL DRAWING: 10/2021	st - ftw.dgn	FED. RD. DIV. NO. 6	PROJECT NO.	SHEET NO.
DATE 10/19/21	REVISIONS	STATE TEXAS	STATE DIST. NO. FTW	COUNTY
		CONT.	SECT.	JOB
				HIGHWAY NO.