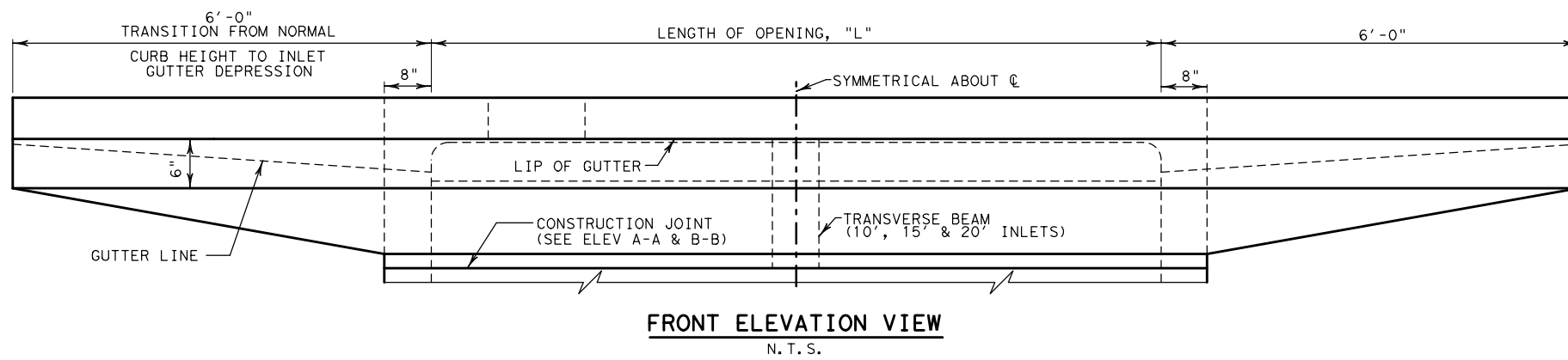
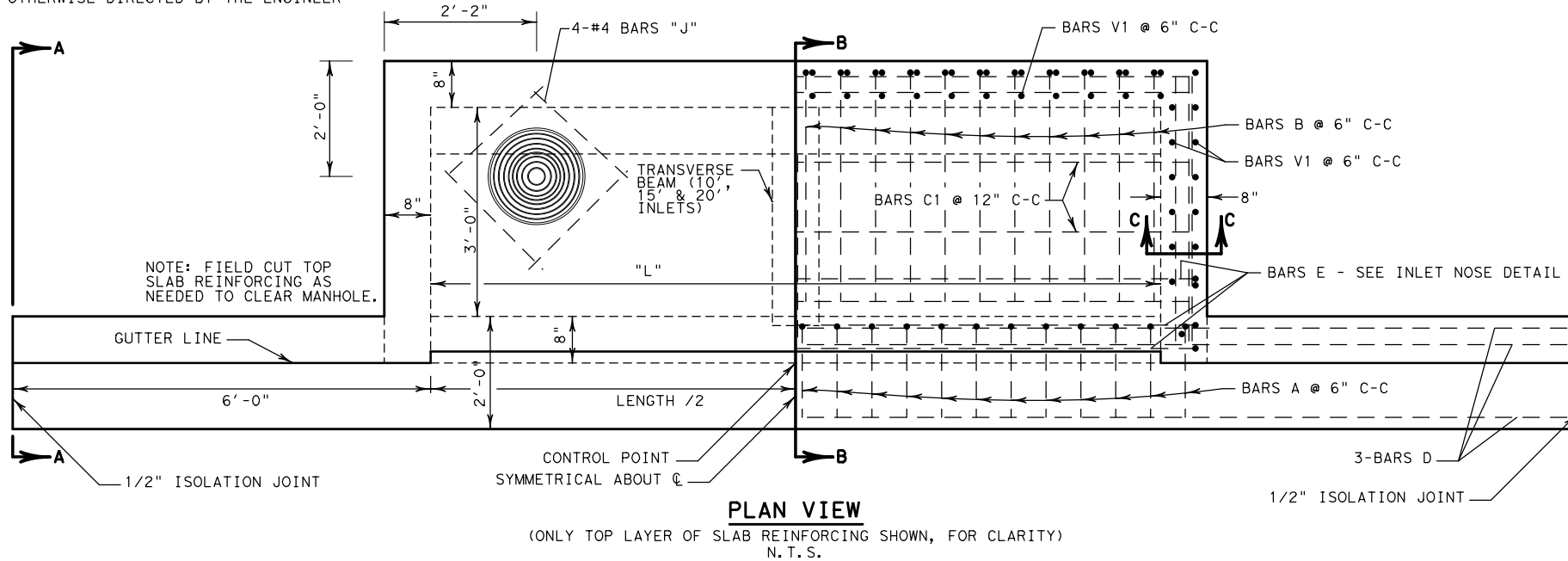


DISCLAIMER: THIS STANDARD IS COVERED BY THE "TEXAS ENGINEERING PRACTICE ACT". NO WARRANTY OF ANY KIND IS MADE BY TxDOT FOR ANY PURPOSE WHATSOEVER. TxDOT ASSUMES NO RESPONSIBILITY FOR THE CONVERSION OF THIS STANDARD TO OTHER FORMATS OR FOR INCORRECT RESULTS OR DAMAGES RESULTING FROM ITS USE.

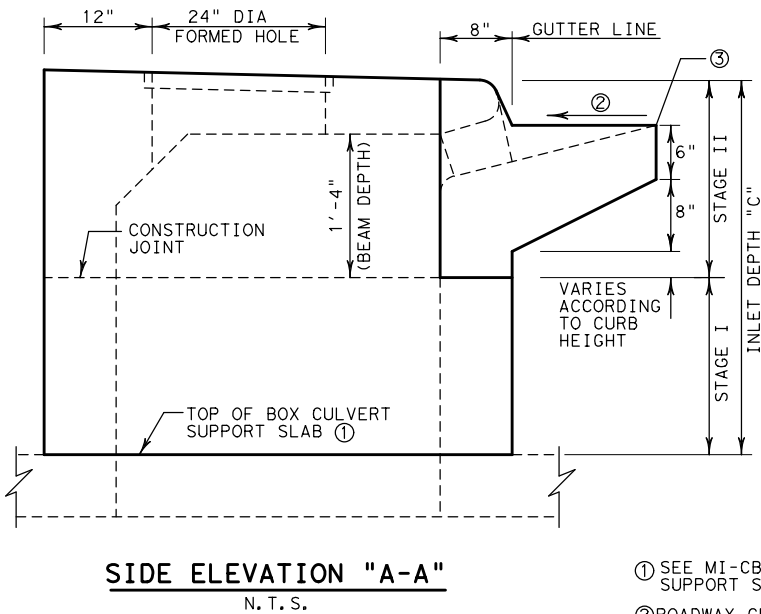
http://www.dot.state.tx.us/ftw/specinfo/standard.htm  
 11/5/2020 3:27:35 PM  
 P:\PROJECTS\TXDOT\161215 FTW Standards Revision\CADD\Modifications in Progress\1c00-ftw.dgn



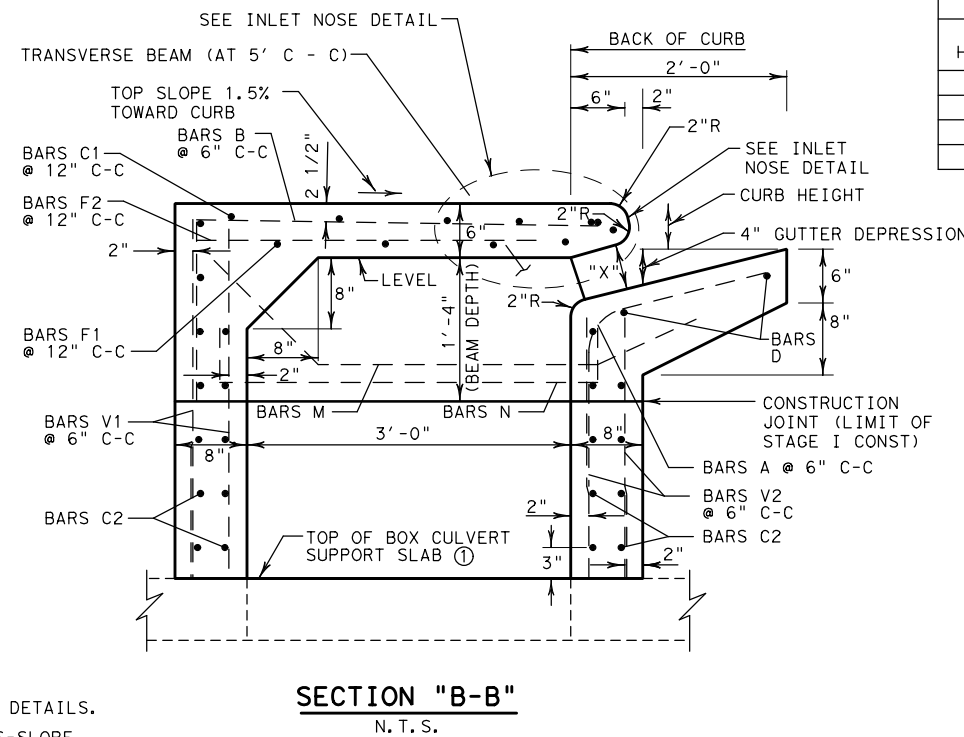
NOTE: LOCATION OF RING AND COVER TO BE AT OUTFALL END, UNLESS OTHERWISE DIRECTED BY THE ENGINEER



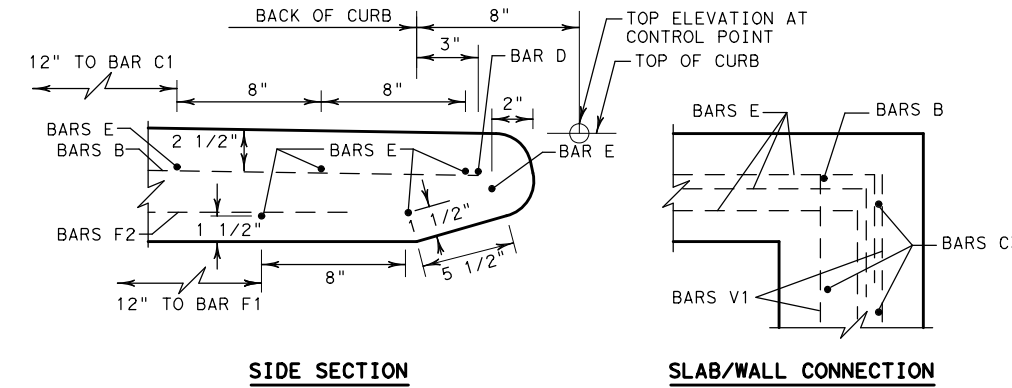
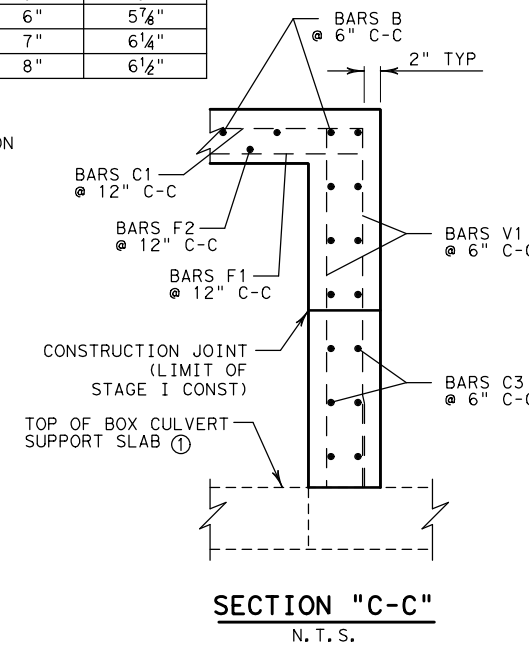
NOTE: FIELD CUT TOP SLAB REINFORCING AS NEEDED TO CLEAR MANHOLE.



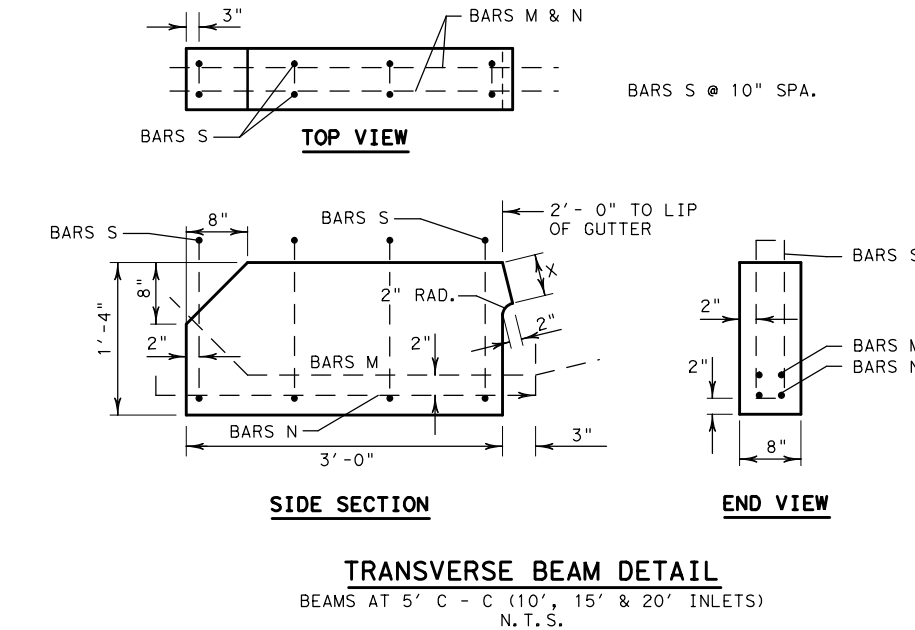
- ① SEE MI-CBC SUPPORT SLAB DETAILS.
- ② ROADWAY CROSS-SLOPE
- ③ LIP OF GUTTER



THROAT DIMENSION	
CURB HEIGHT	"X"
5"	5"
6"	5 7/8"
7"	6 1/4"
8"	6 1/2"



**INLET NOSE DETAIL**  
N. T. S.



**SIDE SECTION**

**END VIEW**

**TRANSVERSE BEAM DETAIL**

BEAMS AT 5' C - C (10', 15' & 20' INLETS)  
N. T. S.

**SIDE SECTION**

**SLAB/WALL CONNECTION**

SEE SHEET 2 OF 2 FOR DETAILS OF REINFORCING, BILL OF REINFORCING STEEL, SUMMARY OF QUANTITIES AND GENERAL NOTES.

SHEET 1 OF 2 SHEETS

		<b>Fort Worth District Standard</b>	
<b>CURB INLET OUTSIDE PAVEMENT FOR USE WITH TYPE II CURB AND BOX CULVERT OR SEWER I-CO-C (FTW)</b>			
ORIGINAL DRAWING: 05/2019	icoc-ftw.dgn	FED. RD. DIV. NO. 6	PROJECT NO.
DATE	REVISIONS	6	SHEET NO.
05/2019	REPLACES CI-I-02-BC(FW)	STATE DIST. NO. TEXAS	COUNTY
11/2020	REVISE JOINT NOMENCLATURE	FTW	
		CONT. SECT. JOB	HIGHWAY NO.

DISCLAIMER: THE USE OF THIS STANDARD IS GOVERNED BY THE "TEXAS ENGINEERING PRACTICE ACT". NO WARRANTY OF ANY KIND IS MADE BY TXDOT FOR ANY PURPOSE WHATSOEVER. TXDOT ASSUMES NO RESPONSIBILITY FOR THE CONVERSION OF THIS STANDARD TO OTHER FORMATS OR FOR INCORRECT RESULTS OR DAMAGES RESULTING FROM ITS USE.

http://www.dot.state.tx.us/ftw/specinfo/standard.htm  
 11/5/2020 3:28:04 PM  
 P:\PROJECTS\TXDOT\1612\15 FTW Standards Revision\CADD\Modifications in Progress\1c0c-ftw.dgn

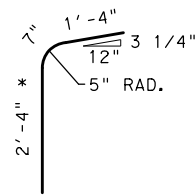
**BILL OF REINFORCING STEEL**

Width "W" (ft)	Depth "D" (ft)	Length "L" (ft)	Bars A		Bars B		Bars C1		Bars C2		Bars C3		Bars D		Bars E		Bars F1		Bars F2		Bars J		Bars M		Bars N		
			#4	at 6" Spa	#4	at 6" Spa	#5	at 12" Spa	#5	at 6" Spa	#5	at 6" Spa	#4	Wt	#5	Wt	#4	at 12" Spa	#4	at 12" Spa	#4	Wt	#4	Wt	#4	Wt	#5
3.0	4.0	5.0	13	37	10	36	2	13	29	181	27	113	3	33	6	48	1	4	7	12	4	8	0	0	0	0	0
3.0	4.0	10.0	23	65	20	72	2	23	29	333	27	113	3	43	6	80	1	7	12	20	4	8	2	7	2	11	
3.0	4.0	15.0	33	94	30	109	2	33	29	484	27	113	3	53	6	111	1	11	17	28	4	8	4	13	4	22	
3.0	4.0	20.0	43	122	40	145	2	44	29	635	27	113	3	63	6	142	1	14	22	37	4	8	6	20	6	32	

**BILL OF REINFORCING STEEL**

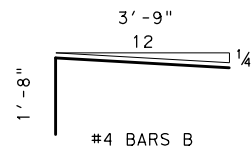
**SUMMARY OF QUANTITIES**

Width "W" (ft)	Depth "D" (ft)	Length "L" (ft)	Bars S		Bars V1		Bars V2		Total Reinf Steel	Steel Qty Adjust.	Class "C" Concrete	Concrete Qty Adjust.
			#4	at 12" Spa	#5	at 6" Spa	#5	at 6" Spa	Weight	P. L. F.	(CY)	P. L. F.
3.0	4.0	5.0	0	0	58	232	26	77	794	171.1	3.2	0.46
3.0	4.0	10.0	4	11	78	312	46	136	1,241	254.5	4.7	0.71
3.0	4.0	15.0	8	22	98	392	66	195	1,688	337.9	6.2	0.95
3.0	4.0	20.0	12	33	118	472	86	254	2,135	421.4	7.7	1.20

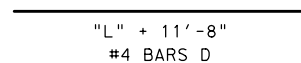


#4 BARS A

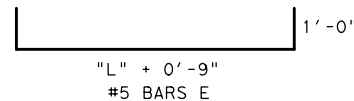
\* NOTE: DIMENSION SHOWN FOR 5" CURB. INCREASE LENGTH BY 1" FOR EACH ADDITIONAL 1" OF CURB HEIGHT.



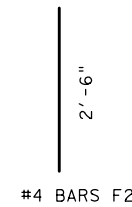
#4 BARS B



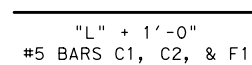
#4 BARS D



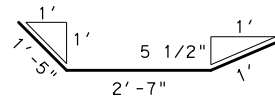
#5 BARS E



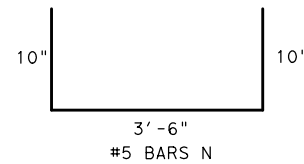
#4 BARS F2



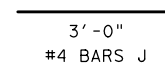
#5 BARS C1, C2, & F1



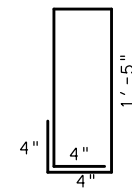
#4 BARS M



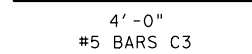
#5 BARS N



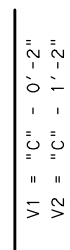
#4 BARS J



#4 BARS S



#5 BARS C3



#5 BARS V1 & V2

**GENERAL NOTES**

- DESIGNED ACCORDING TO AASHTO LRFD SPECIFICATIONS FOR PEDESTRIAN LOADING AND HL-93 LOADING UNDER "EXTREME EVENT II" LOAD COMBINATION.
- ALL CONCRETE FOR CAST-IN-PLACE STRUCTURES SHALL BE CLASS "C"; ALL CONCRETE FOR PRECAST STRUCTURES SHALL BE CLASS "H" (MINIMUM 5000 PSI DESIGN STRENGTH).
- ALL REINFORCING STEEL SHALL BE GRADE 60.
- STAGE I MAY BE EITHER CAST-IN-PLACE OR PRECAST. FABRICATE PRECAST STRUCTURES USING REBAR AS DETAILED HEREON, WITH BARS A, V1, AND V2 TO BE INCLUDED WITH STAGE I. SPLICING OF BARS WILL NOT BE PERMITTED, EXCEPT AS NOTED.
- STAGE II SHALL BE CAST-IN-PLACE.
- CHAMFER ALL EXPOSED CORNERS 3/4", EXCEPT WHERE NOTED OTHERWISE.
- DIMENSIONS RELATING TO REINFORCING STEEL ARE TO THE CENTERS OF BARS.
- INSTALL RING AND COVER AT OUTFALL END OF INLET, UNLESS OTHERWISE DIRECTED. CAST IRON RING AND COVER SHALL CONFORM TO ITEM 471. SEE STANDARD MDD (FTW) FOR RING AND COVER DETAILS.
- DEPTHS OTHER THAN THOSE SHOWN MAY BE USED WHENEVER NECESSARY, UP TO A MAXIMUM DEPTH OF 15'. QUANTITIES FOR OTHER DEPTHS MAY BE DETERMINED BY INTERPOLATION.
- DO NOT COMMENCE WITH STAGE II CONSTRUCTION UNTIL CONCRETE PAVEMENT AND CURB, OR CONCRETE CURB AND GUTTER CONSTRUCTION IS COMPLETED AT THE INLET SITE.
- INSTALL A TEMPORARY WOOD COVER AFTER STAGE I IS COMPLETED, TO REMAIN IN PLACE UNTIL STAGE II CONSTRUCTION BEGINS.
- THE LOCATION OF INLET AS SHOWN IN THE PLAN REFERS TO THE CONTROL POINT AT THE FACE OF CURB AND MID-POINT OF THE INLET.
- PLACE A SEALED 1/2" ISOLATION JOINT ALONG ALL VERTICAL FACES ABUTTING CONCRETE PAVEMENT, CURB, CURB AND GUTTER, OR SIDEWALK. USE CLASS 5 OR 8 JOINT SEALANT TO SEAL THE JOINT. SEE STANDARD JS (FTW) FOR ADDITIONAL INFORMATION.

		<b>Fort Worth District Standard</b>	
<b>CURB INLET OUTSIDE PAVEMENT FOR USE WITH TYPE II CURB AND BOX CULVERT OR SEWER I-CO-C (FTW)</b>			
ORIGINAL DRAWING:	05/2019	icoc-ftw.dgn	FED. RD. DIV. NO. 6
DATE	REVISIONS		PROJECT NO.
05/2019	REPLACES CI-I-02-BC (FW)		STATE DIST. NO. TEXAS
11/2020	REVISE JOINT NOMENCLATURE		COUNTY FTW
	CONT.	SECT.	JOB HIGHWAY NO.