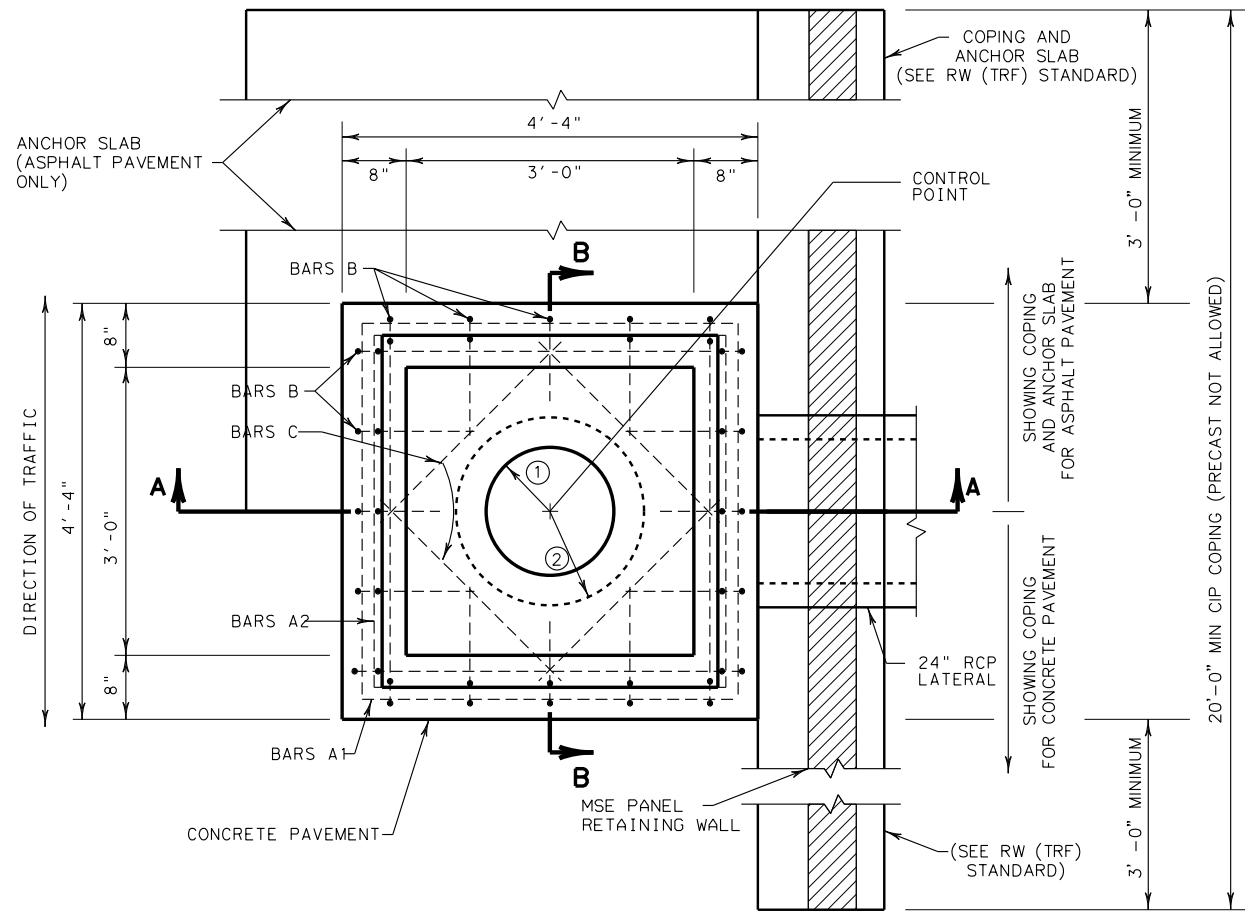
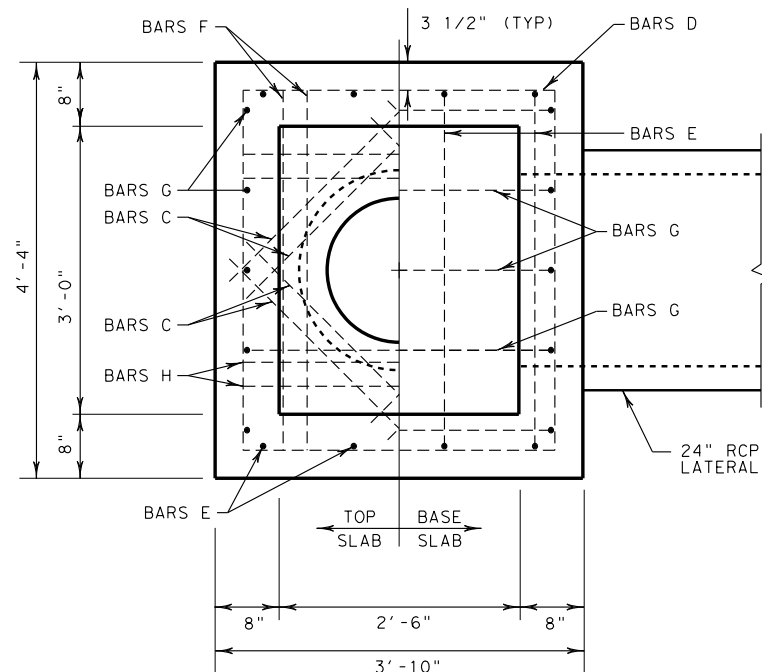


DISCLAIMER: THE USE OF THIS STANDARD IS COVERED BY THE "TEXAS ENGINEERING PRACTICE ACT". NO WARRANTY OF ANY KIND IS MADE BY TxDOT FOR ANY PURPOSE WHATSOEVER. TxDOT ASSUMES NO RESPONSIBILITY FOR THE CONVERSION OF THIS STANDARD TO SI UNITS. THE TEXAS ENGINEERING PRACTICE ACT IS A PUBLIC ACT OF THE LEGISLATURE OF THE STATE OF TEXAS, CHAPTER 1301, SECTION 081, SUBCHAPTER C, ACT 000001, 2009.

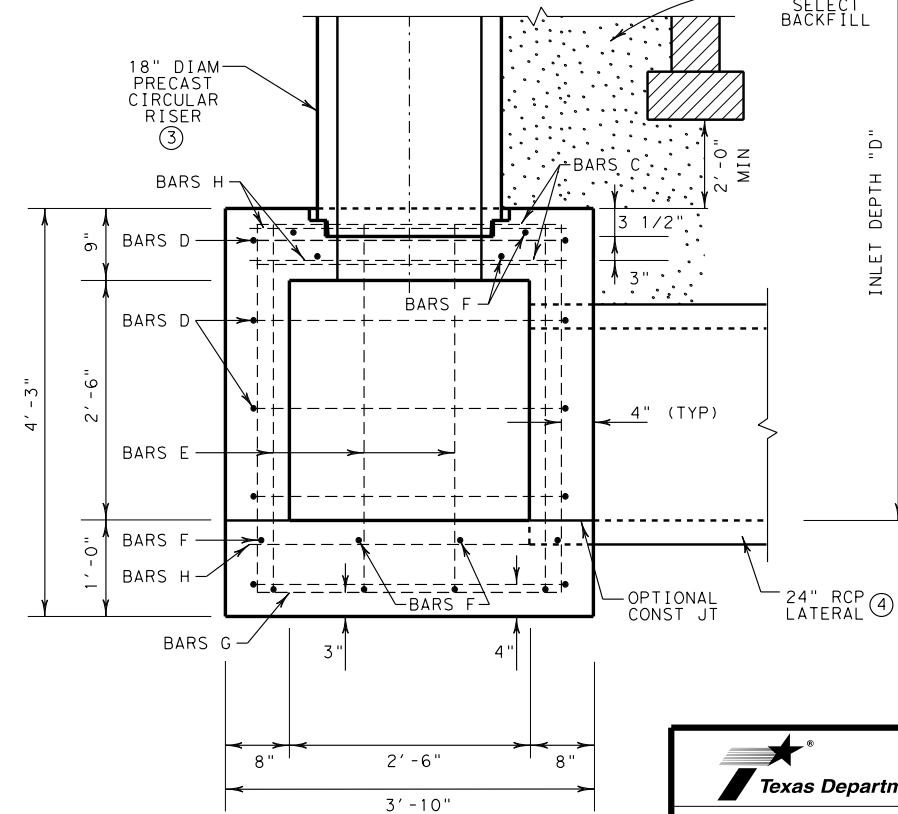
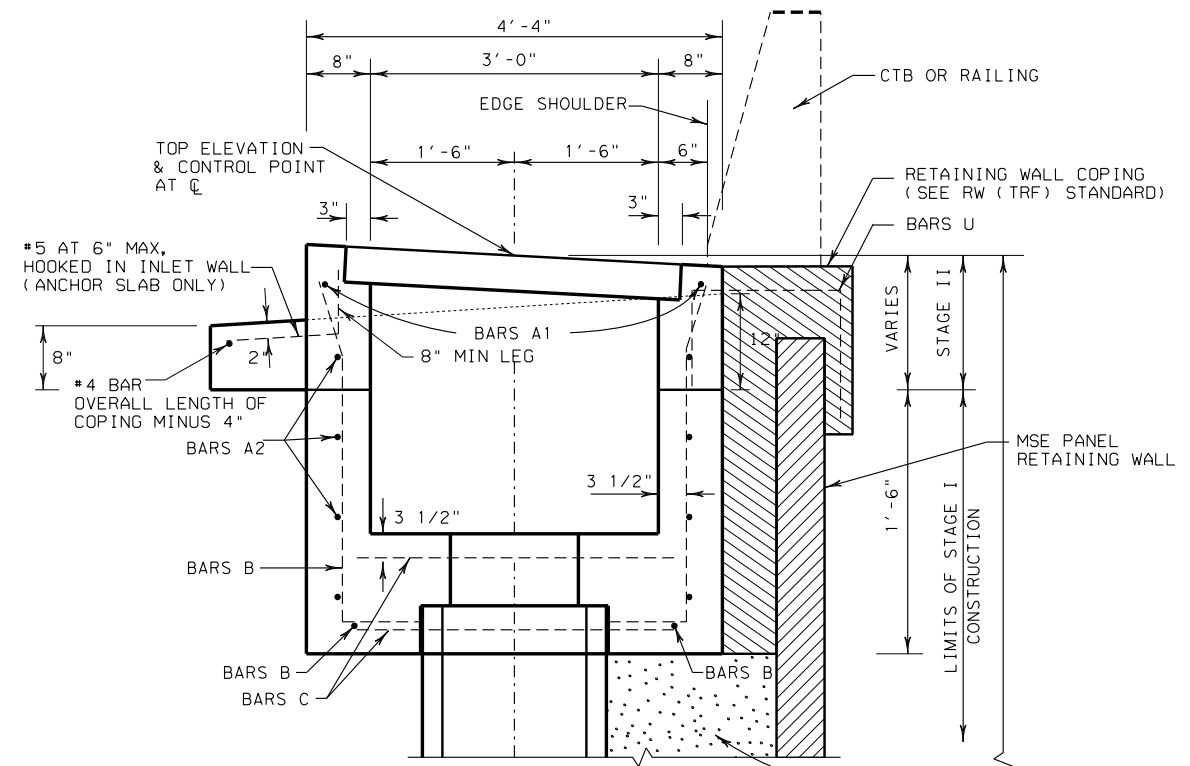
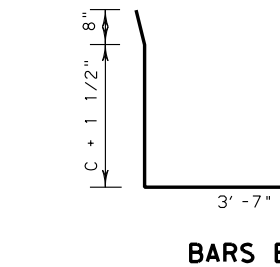
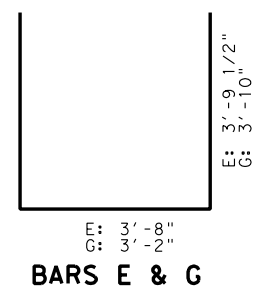
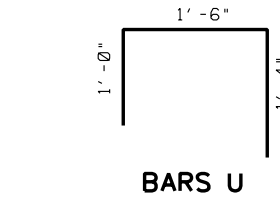
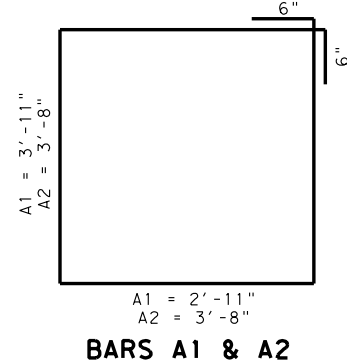
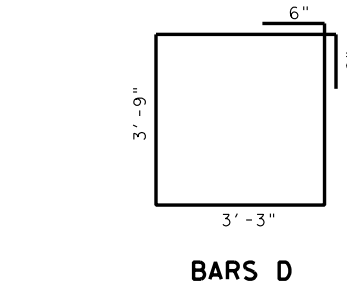
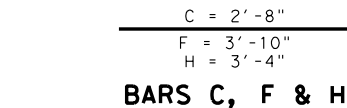
https://www.dot.state.tx.us/ftw/spec/info/standard.htm
 7/6/2022 2:35:42 PM
 SPATHS
 T:\Groups\00_KATY\PROJECTS\TXDOT\1612115 FTW Standards Revision\CADD\SWA1\Standard Revisions\To TxDOT\Final\1612115 FTW Standards Revision\Standard Revisions\081\081-000001.dwg



PLAN VIEW
 (SHOWING ONLY INLET BOX FOR CLARITY)
 N.T.S.



PLAN VIEW
 (SHOWING ONLY JUNCTION BOX FOR CLARITY)
 N.T.S.



SECTION A-A
 N.T.S.

SHOWING ANCHOR SLAB FOR ASPHALT PAVEMENT ONLY
 SEE DETAIL "D" FOR CONCRETE PAVEMENT

SEE SHEET 2 OF 2 FOR ADDITIONAL DETAILS, BILL OF REINFORCING STEEL, SUMMARY OF QUANTITIES AND GENERAL NOTES.

©2022 by Texas Department of Transportation; All Rights Reserved

- ① 16" DIAM BLOCKOUT
- ② 23 1/2" DIAM BLOCKOUT
- ③ PRECAST RISER TO BE PLUMB AND VERTICAL
- ④ IF NOT UNDER PAVEMENT, 18" RCP LATERAL MAY BE USED.

SHEET 1 OF 2 SHEETS

		Fort Worth District Standard	
GRATED INLET FOR PAVED SURFACES TYPE FG-R (RETAINING WALL) I-FG-R (FTW)			
ORIGINAL DRAWING: 05/2019	ifgr-ftw.dgn	PROJECT NO.	SHEET NO.
DATE	REVISIONS	STATE	DIST. NO.
04/2020	SET MIN CLEAR FROM JOB TO WALL FOOTING; ALLOW 18" LATERAL IF NO PAVEMENT	TEXAS	FTW
09/2020	REVISED TITLE BLOCK TO INDICATE APPLICATION	CONT.	SECT.
11/2020	REVISE JOINT NOMENCLATURE	JOB	HIGHWAY NO.
07/2022	ADD TIES TO USE COPING & PAVEMENT		

