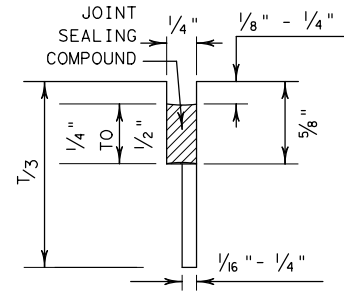


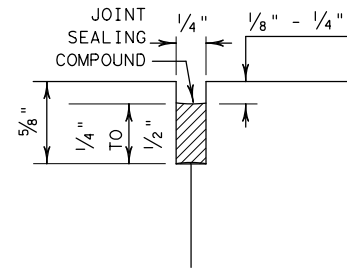
DISCLAIMER: THIS STANDARD IS GOVERNED BY THE "TEXAS ENGINEERING PRACTICE ACT". NO WARRANTY OF ANY KIND IS MADE BY TXDOT FOR ANY PURPOSE WHATSOEVER. TXDOT ASSUMES NO RESPONSIBILITY FOR THE CONVERSION OF THIS STANDARD TO OTHER FORMATS OR FOR INCORRECT RESULTS OR DAMAGES RESULTING FROM ITS USE.

http://www.dot.state.tx.us/ftw/specinfo/standard.htm
 11/6/2020 11:25:02 AM
 P:\PROJECTS\TXDOT\16121\5 FTW Standards Revision\CADD\Modifications in Progress\js-ftw.dgn

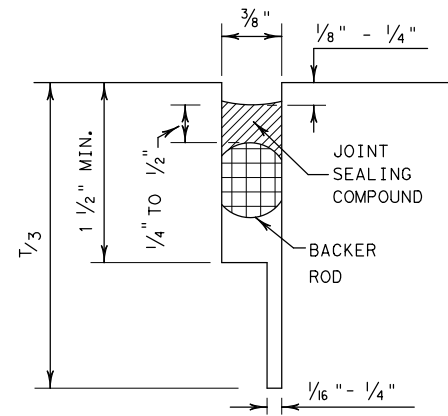
METHOD B: JOINT SEALING COMPOUND



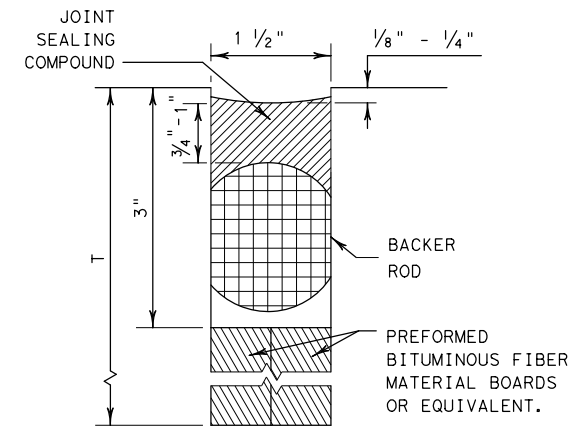
LONGITUDINAL SAWED
CONTRACTION JOINT



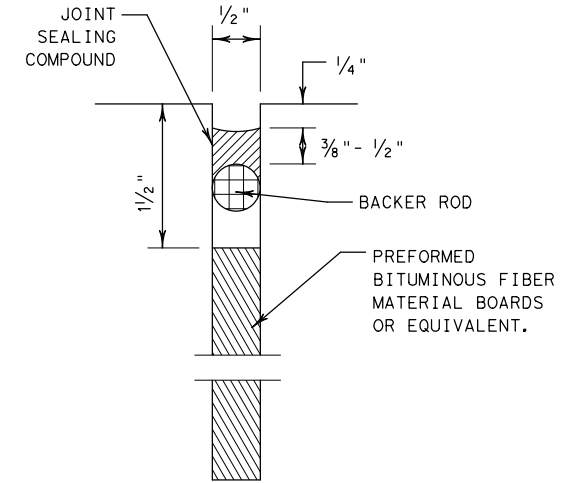
LONGITUDINAL OR TRANSVERSE
CONSTRUCTION JOINT



TRANSVERSE SAWED
CONTRACTION JOINT



TRANSVERSE FORMED
EXPANSION JOINT



FORMED
ISOLATION JOINT

GENERAL NOTES

1. PREFORMED COMPRESSION SEALS (METHOD A) WILL NOT BE PERMITTED.
2. DIMENSION "T" IS THICKNESS OF CONCRETE PAVEMENT.
3. THE LOCATION OF JOINTS SHALL BE AS SHOWN ELSEWHERE IN THE PLANS.
4. THE JOINT RESERVOIR FOR SEALANT FOR THE LONGITUDINAL AND TRANSVERSE CONSTRUCTION JOINTS AND SAWED JOINTS SHALL BE SAWED UNLESS OTHERWISE SHOWN ON THE PLANS.
5. REFER TO DMS-6310 "JOINT SEALANTS AND FILLERS" FOR SEALANT CLASSIFICATIONS.
6. FOR SAWED LONGITUDINAL JOINTS, LONGITUDINAL OR TRANSVERSE CONSTRUCTION JOINTS, USE JOINT SEALANT CLASS 5 OR 8 UNLESS OTHERWISE SHOWN ON THE PLANS OR APPROVED.
7. FOR TRANSVERSE SAWED CONTRACTION JOINTS, TRANSVERSE FORMED EXPANSION JOINTS, AND ISOLATION/EXPANSION JOINTS, USE JOINT SEALANT CLASS 5 OR 8 AT NEW JOINTS. USE JOINT SEALANT CLASS 4, 5, 7, OR 8 FOR MAINTAINING EXISTING JOINTS.
8. THE JOINTS SHALL BE CLEANED IN ACCORDANCE WITH THE ITEM 438 "CLEANING AND SEALING JOINTS" OR ITEM 713 "CLEANING AND SEALING JOINTS AND CRACKS (CONCRETE PAVEMENT)".
9. ISOLATION JOINTS ACCOMMODATE HORIZONTAL AND VERTICAL MOVEMENTS THAT OCCUR BETWEEN A PAVEMENT AND A STRUCTURE. ISOLATION JOINTS MAY BE USED FOR BRIDGE ABUTMENTS, INTERSECTIONS, CURB AND GUTTER, OLD AND NEW PAVEMENTS, OR AROUND DRAINAGE INLETS, MANHOLES, FOOTINGS AND LIGHTING STRUCTURES.

| | | | |
|---|---|-------------------------------------|-------------|
| | | Fort Worth District Standard | |
| <h2>CONCRETE PAVING DETAILS</h2> <h3>JOINT SEALS</h3> <h3>JS (FTW)</h3> | | | |
| ORIGINAL DRAWING: 05/2019 | js-ftw.dgn | FED. RD. DIV. NO. | PROJECT NO. |
| DATE | REVISIONS | 6 | SHEET NO. |
| 05/2019 | REPLACES JS-031(FW) | STATE | COUNTY |
| 11/2020 | REVISE NOMENCLATURE FOR ISOLATION JOINTS (OMIT 'EXPANSION') | TEXAS | FTW |
| | | CONT. | SECT. |
| | | JOB | HIGHWAY NO. |