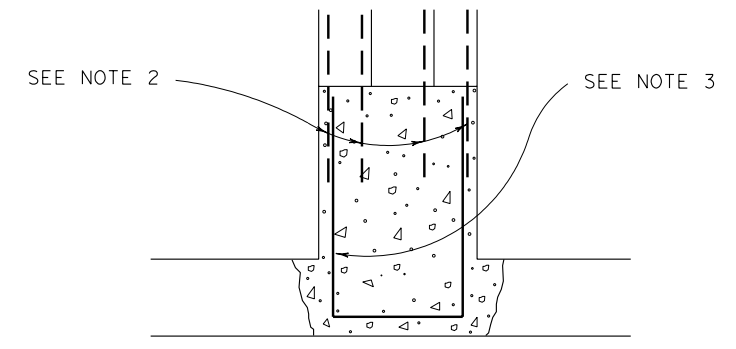
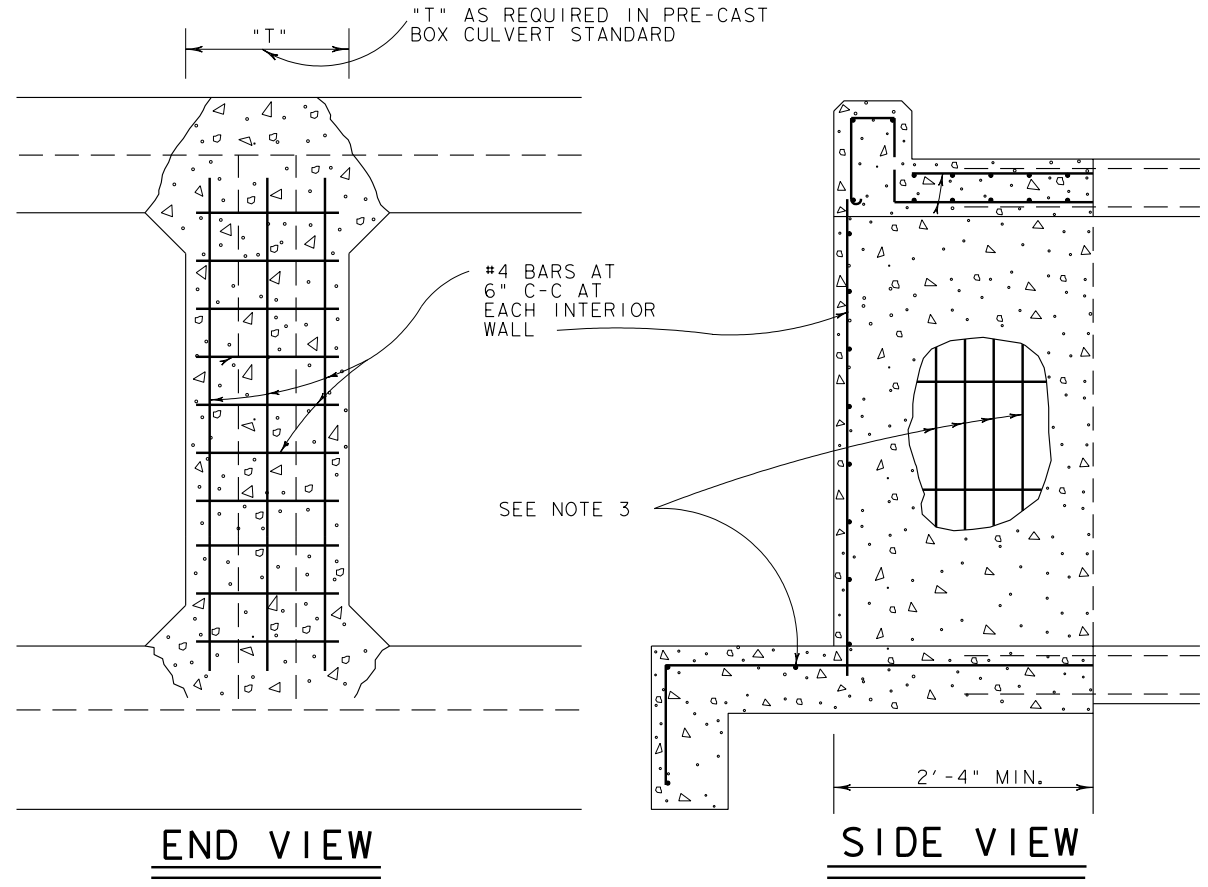
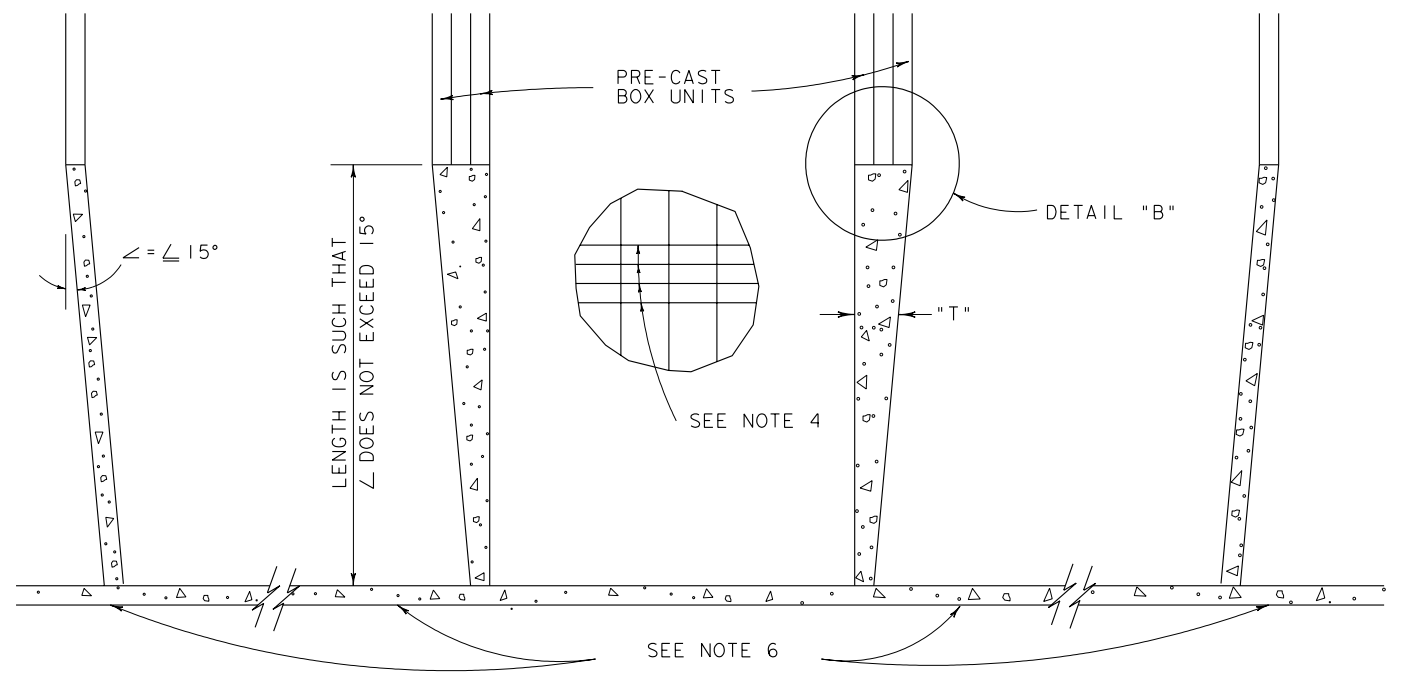


**LAYOUT**

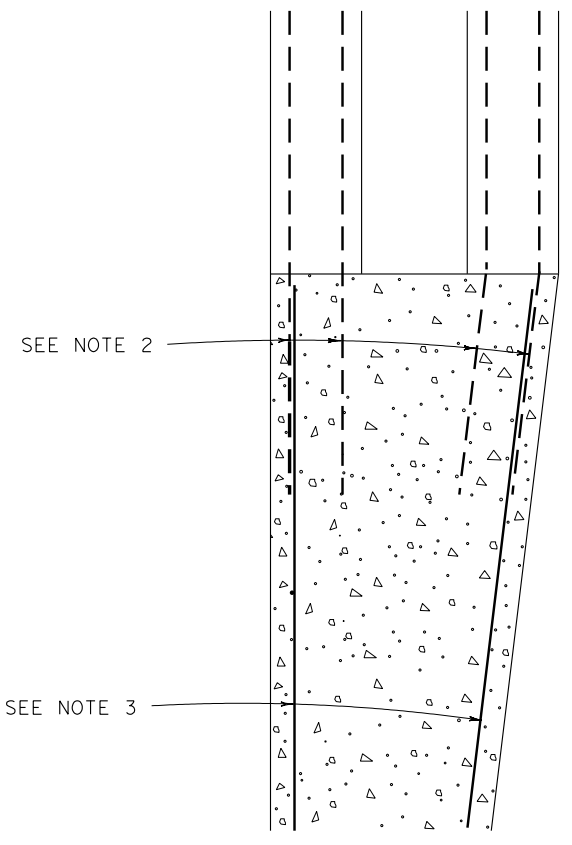


**DETAIL "A"**

**METHOD 1**



**LAYOUT**



**DETAIL "B"**

**METHOD 2**

GENERAL NOTES

- NOTE 1. Detail "A" and Detail "B" are typical for all interior walls.
- NOTE 2. Usual reinforcing steel in pre-cast structure shall be extended to provide a minimum 30 dia. lap for each size bar to be lapped. (1' 0" minimum)
- NOTE 3. Usual Reinforcing Steel in cast-in-place section shall be the same bar size and spacing as shown elsewhere in the plans for the cast-in-place option.
- NOTE 4. Length of transverse bars in top and bottom slab and length of longitudinal bars in curbs and apron to be increased by the total amount that "T" dimension exceed the wall thickness shown in the plans for the cast-in-place option multiplied by the number of interior walls. Additional transverse bars shall be provided so that the indicated spacing is maintained.
- NOTE 5. All reinforcing steel shall be Grade 60. Bars shall be adjusted to provide a minimum of 1 1/4" clear cover. All dimensions related to reinforcing steel are to centers of bars.
- NOTE 6. All dimensions related to wingwalls, apron, footings, curbs and wall thickness shall be the same as that shown elsewhere in the plans for the cast-in-place option.
- NOTE 7. All concrete shall be class "C". Chamfer all exposed corners 3/4" except the bottom edge of the top slab, at the entrance, shall be chamfered 3". No reduction will be made in the plan quantity of concrete for the chamfer and no additional compensation will be allowed for this work.
- NOTE 8. Payment for concrete, steel and structural excavation will be made in accordance with cast-in-place details shown elsewhere in the plans. Should the contractor elect to utilize the pre-cast option, additional quantities for these items as required by these details will not be measured and paid for.

**PRECAST CULVERT  
END DETAILS  
PCED (FW)**

© 1999 by Texas Department of Transportation, 15121 416-2055, all rights reserved.

DRAWN SEPT. 1993	FED. RD. DIV. NO. 6	FEDERAL AID PROJECT NO.	SHEET NO.
REVISED	STATE DIST. NO. TEXAS	COUNTY TARRANT	
	FORT WORTH		
	CONT. SECT. JOB	HIGHWAY NO.	

/PUBLIC/STANDARD/PCEDFW.DGN