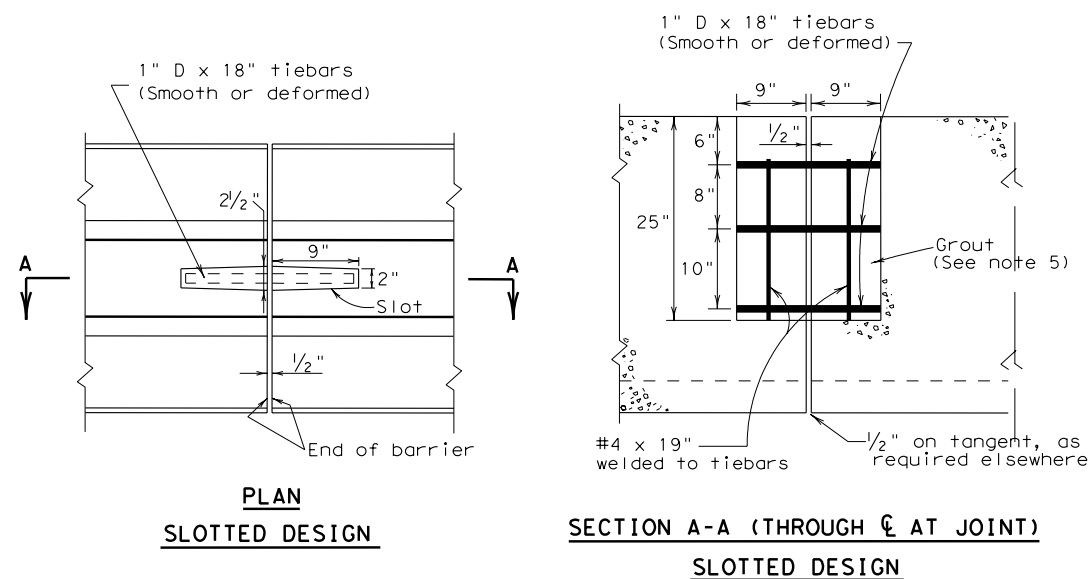


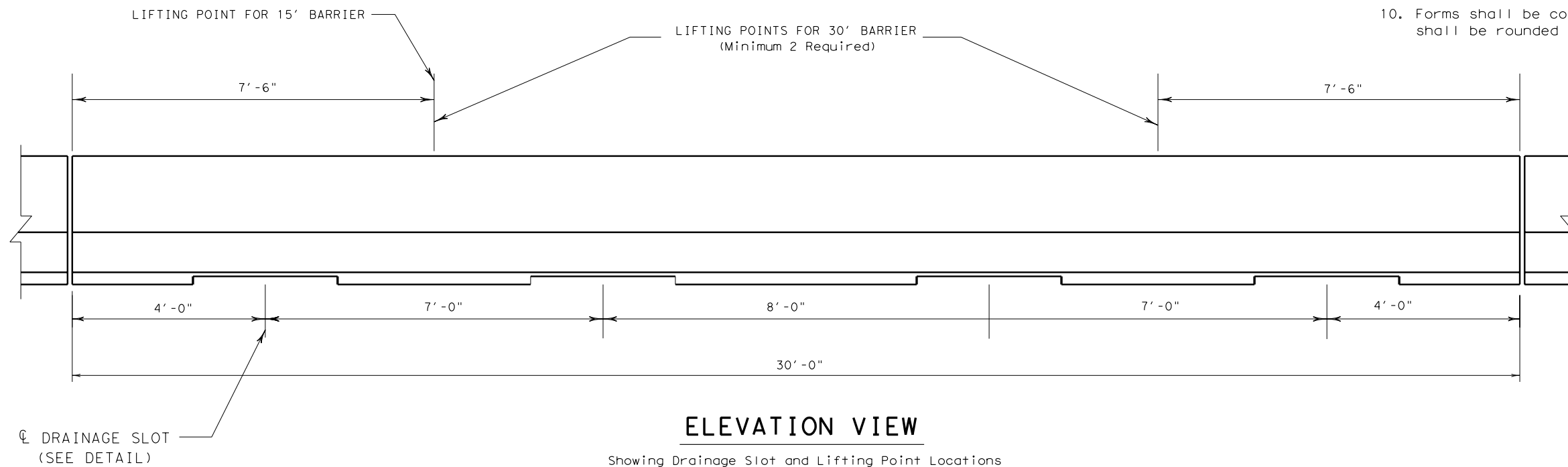
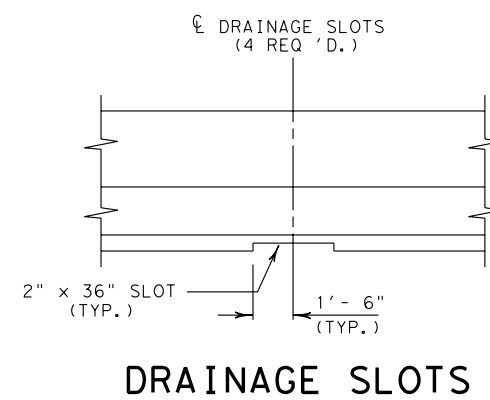
DISCLAIMER:
The use of this standard is governed by the "Texas Engineering Practice Act". No warranty of any kind is made by TxDOT for any purpose whatsoever. TxDOT assumes no responsibility for the conversion of this standard to other formats or for incorrect results or damages resulting from its use.

http://www.dot.state.tx.us/ftw/specinfo/standard.htm pctbfw.dgn

LEVELS DISPLAYED	
1	



JOINT DETAIL



ELEVATION VIEW

Showing Drainage Slot and Lifting Point Locations

GENERAL NOTES

1. Where illumination is to be placed on concrete traffic barrier, a 10-ft. cast-in-place section shall be provided at each light pole location as shown on sheet CTBI(3). Pole, anchor bolts and other illumination details shall be as shown on sheet CTBI (4). Cast-in-place sections shall include a joint as detailed hereon, for the purpose of anchoring the precast CTB.
2. Concrete shall be Class C or H.
3. A minimum of two lifting points shall be used for 30' barrier. A single lifting point may be used for 15' barrier. Lifting devices and attachments shall be as approved by the Engineer.
4. Temporary barrier shall be delineated in accordance with Barricade and Construction Detail Sheets.
5. When installed in a permanent roadway location, end connections of the barrier shall be grouted with a mixture of two parts sand and one part cement with enough water to make the mixture plastic. Grouting shall be done in a manner that will assure a smooth surface at the joint.
6. Joints shall not be grouted for temporary barrier locations.
7. The concrete traffic barrier shall receive an ordinary surface finish, unless otherwise specified elsewhere in the plans.
8. Surface finishing and grouting (where required) shall be considered subsidiary to the barrier for payment.
9. Barrier length shall be 30 feet unless otherwise specified elsewhere in the plans. Barrier may be cast in 15 foot lengths with the approval of the Engineer.
10. Forms shall be constructed of steel. Edges of barrier shall be rounded or chamfered as shown on sheet PCTB(2).

Texas Department of Transportation
Fort Worth District

**PRECAST CONCRETE
TRAFFIC BARRIER
TYPE 2**

PCTB(1) -03 (FW)

© TxDOT 2003	DIST	FED REG	FEDERAL AID PROJECT	SHEET
REVISIONS	FTW	6		
1 January 2003 JAT				
2 February 2004 JRT	COUNTY	CONTROL	SECT	JOB HIGHWAY

© 2003 by Texas Department of Transportation; all rights reserved.

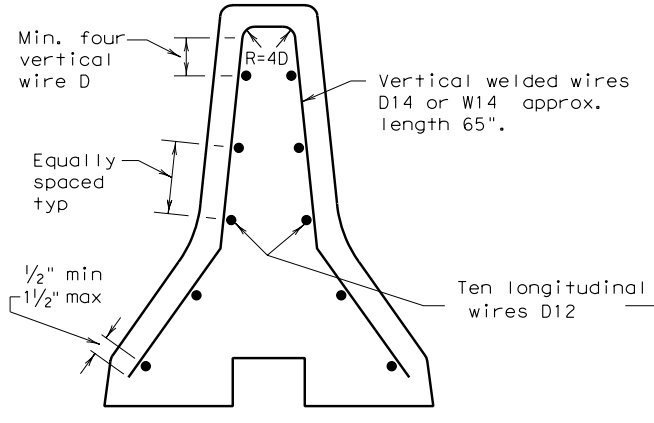
DISCLAIMER: The use of this standard is governed by the "Texas Engineering Practice Act". No warranty of any kind is made by TxDOT for any purpose whatsoever. TxDOT assumes no responsibility for the conversion of this standard to other formats or for incorrect results or damages resulting from its use.

http://www.dot.state.tx.us/ftw/spec/info/standard.htm pctbfw.dgn

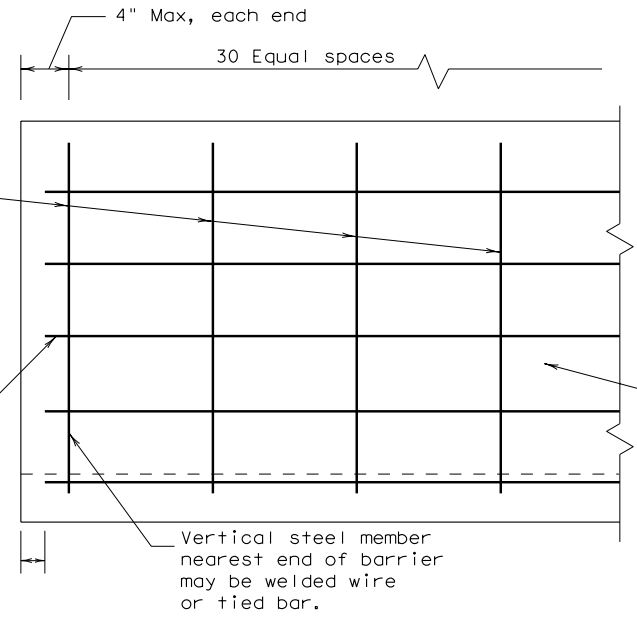
LEVELS DISPLAYED	
1	

Configurations of welded wire fabric other than as shown in the WWF Detail will be permitted when the conditions tabulated below are satisfied.

DESCRIPTION	LONGITUDINAL WIRES	VERTICAL WIRES
1. Wire type	Deformed	Smooth or Deformed
2. Minimum (cumulative total) wire area	1.24 sq. inch	0.133 sq. in. per longitudinal foot
3. No. of wires Minimum Maximum	6 14	31 (For 30' Barrier Section)
4. Bending radius	n/a	Minimum radius = two vertical wire diameters
5. Wire placement a. Top wire b. Bottom wire c. Other wires	Not less than 4 nor more than 5 vertical wire dia. from the upper bends in the vertical wires 4" ($\pm 1/2"$) from bottom of barrier Uniformly and symmetrically spaced along faces of barrier	n/a n/a Maximum spacing 12"
6. Maximum wire size differential	The smaller wire shall have an area of 40% or more of the larger wire.	



END VIEW



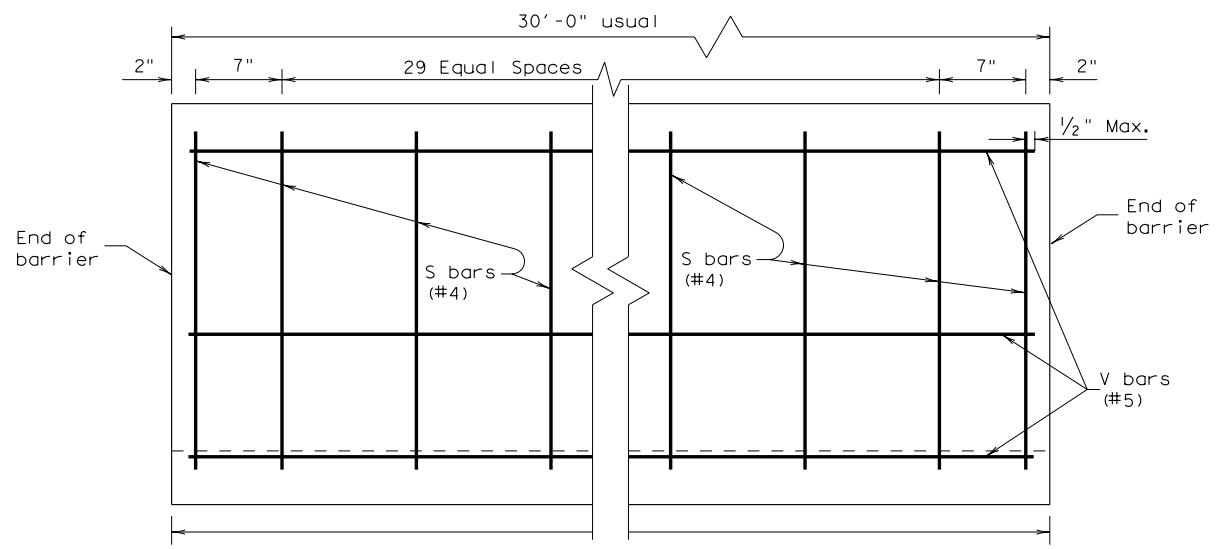
ELEVATION VIEW

Note: Detail shown is for D12 longitudinal wires and D14 or W14 vertical wires. Other size and spacing combinations meeting the tabulated conditions may be used.

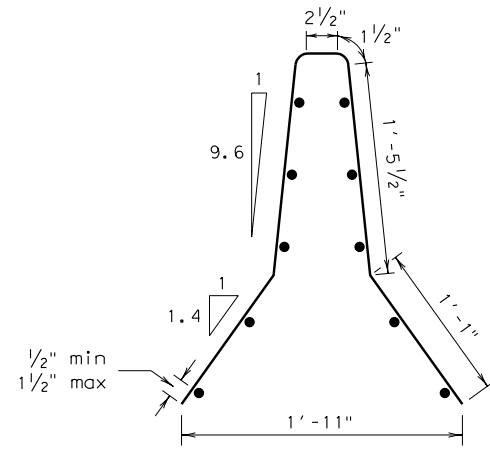
Sufficient welded wire or auxiliary tied bar shall be placed vertically at locations as necessary to provide for cage stability.

GENERAL NOTES

- Concrete shall be Class C or H.
- Where used, rebar reinforcement shall conform to ASTM A-615 (Grade 40).
- Wire fabric shall conform to ASTM A-185 or A-497.
- Barrier length shall be 30 ft. \pm unless otherwise specified in the plans.
- All concrete, reinforcement, joint connection systems, grout, and etc. as shown are considered as part of the barrier for payment.
- Bar splices for roadway barrier shall be a minimum of 24 times the nominal diameter of the bars.
- The reinforcing cage may be tack welded in lieu of tying.

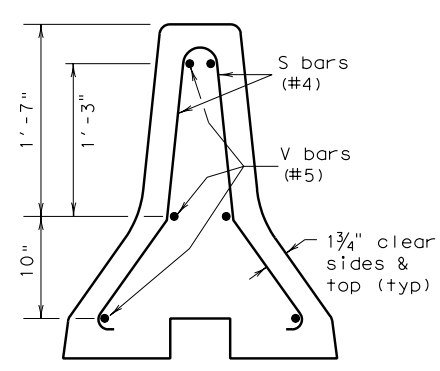


ELEVATION OF BARRIER

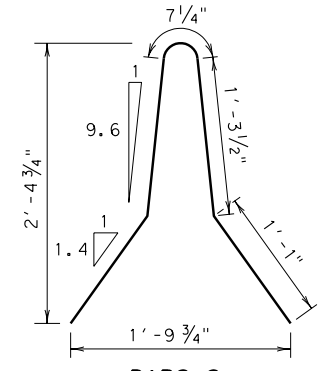


VERTICAL WIRE DETAILS

DETAILS OF WELDED WIRE FABRIC OPTION

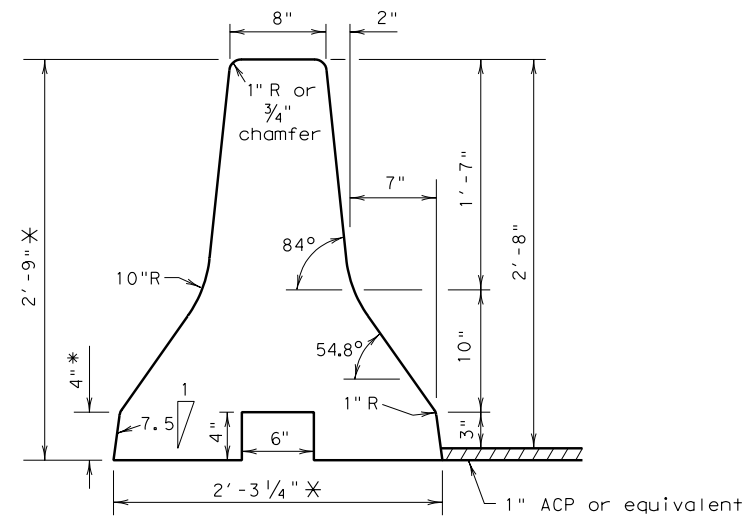


SECTION OF BARRIER



BARS S (#4) (32 Req'd)

DETAILS OF REBAR OPTION



* When 1" ACP is not used for lateral support, these dimensions shall be adjusted accordingly.

DETAIL OF BARRIER SHAPE

R = Radius
D = Diameter

# Approximate P.L.F. quantities		
Concrete	CY.	0.112
Rebar	LB.	9.83
Welded wire fabric	LB.	7.06

For Contractor's information only
Weight of one 30 ft. unit = Approximately 7 Tons

Texas Department of Transportation
Fort Worth District

PRECAST CONCRETE TRAFFIC BARRIER TYPE 2

PCTB(2) -03 (FW)

© TxDOT 2003	DIST	FED REG	FEDERAL AID PROJECT	SHEET
REVISIONS	FTW	6	NH 2003 (6)	137
1 Jan. 2003	JAT			
	COUNTY	CONTROL	SECT	JOB
	TARRANT	2266	02	096 SH 360