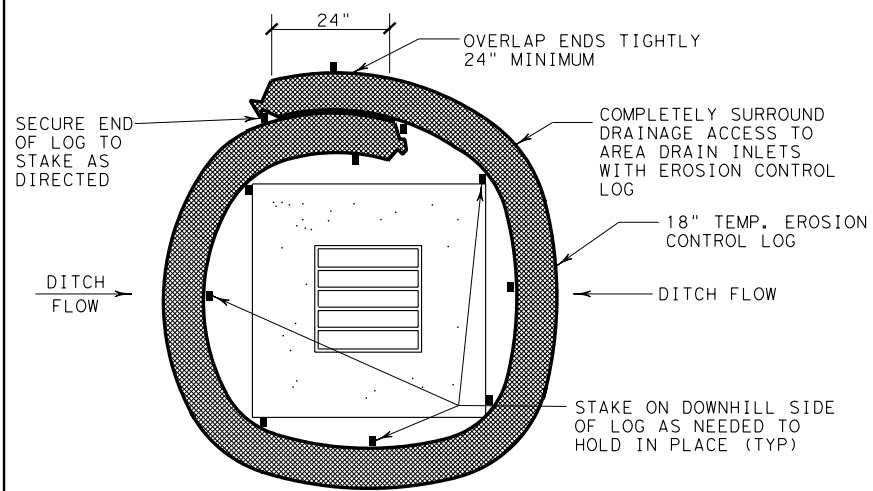


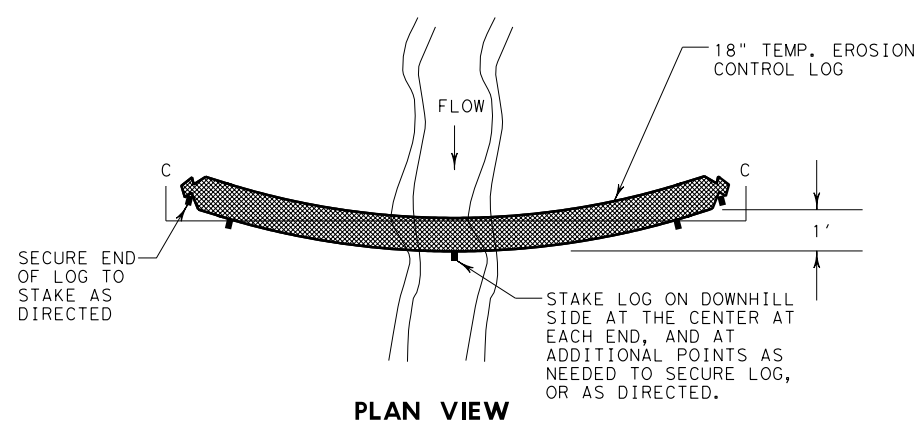
DISCLAIMER: The use of this standard is governed by the "Texas Engineering Practice Act". No warranty of any kind is made by TxDOT for any purpose whatsoever. TxDOT assumes no responsibility for the conversion of this standard to other formats or for incorrect results or damages resulting from its use.

http://www.dot.state.tx.us/ftp/specinfo/standard.htm <teclfw.dgn>

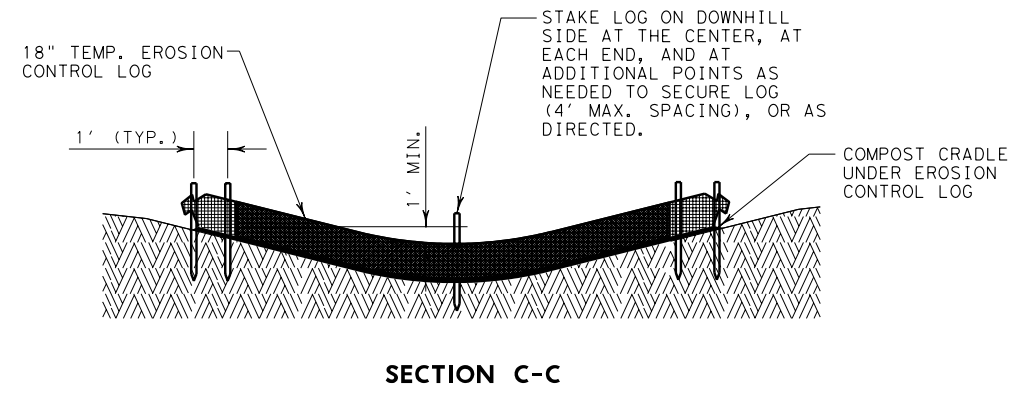
LEVELS DISPLAYED
 1 2 3 4 5 6 7 8 9 10 11 12 13 14 15 16 17 18 19 20 21 22 23 24 25 26 27 28 29 30 31 32 33 34 35 36 37 38 39 40 41 42 43 44 45 46 47 48 49 50



LOGS PLACED AT AREA DRAIN INLETS
 NTS



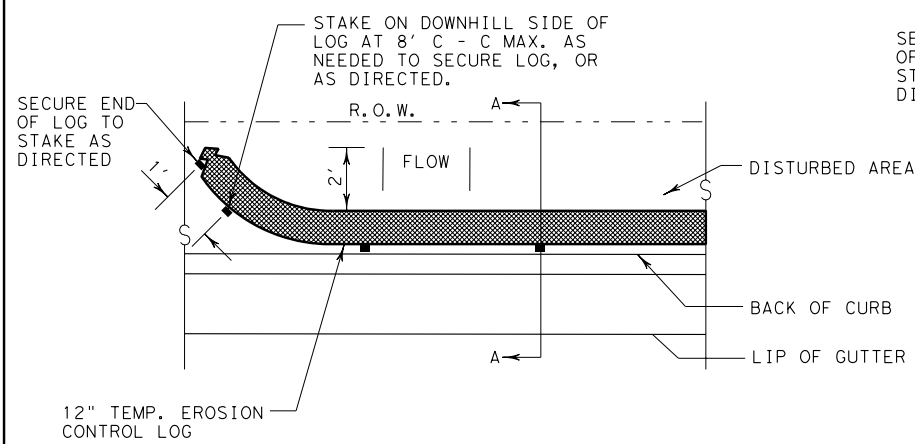
EROSION CONTROL LOG CHECK DAM
 NTS



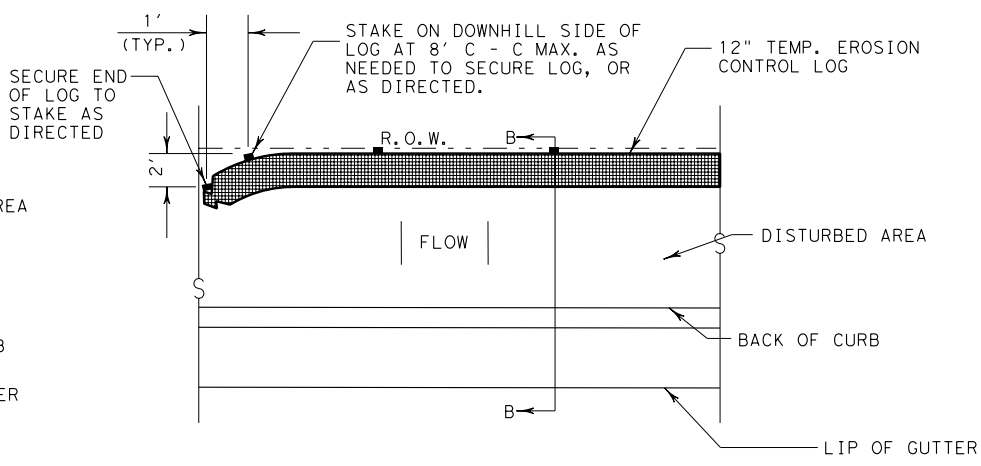
SECTION C-C

GENERAL NOTES:

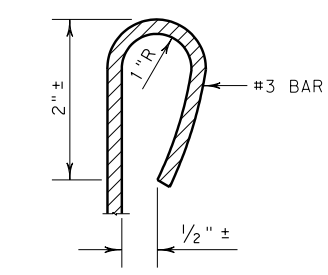
1. LENGTHS OF EROSION CONTROL LOGS SHALL BE IN ACCORDANCE WITH MANUFACTURER'S RECOMMENDATIONS AND AS REQUIRED FOR THE PURPOSE INTENDED. MAXIMUM LENGTH OF LOGS SHALL BE 60' FOR 18" DIAMETER OR 30' FOR 12" DIAMETER LOGS.
2. UNLESS OTHERWISE DIRECTED, USE BIODEGRADABLE OR PHOTODEGRADABLE CONTAINMENT MESH ONLY WHERE LOG WILL REMAIN IN PLACE AS PART OF A VEGETATIVE SYSTEM. FOR TEMPORARY INSTALLATIONS, USE RECYCLABLE CONTAINMENT MESH.
3. STUFF LOGS WITH SUFFICIENT FILTER MATERIAL TO ACHIEVE DENSITY THAT WILL HOLD SHAPE WITHOUT EXCESSIVE DEFORMATION.
4. STAKES SHALL BE 2" X 2" WOOD OR #3 REBAR, 4' LONG, EMBEDDED SUCH THAT 2" PROTRUDES ABOVE LOG, OR AS DIRECTED.
5. DO NOT PLACE STAKES THROUGH CONTAINMENT MESH.



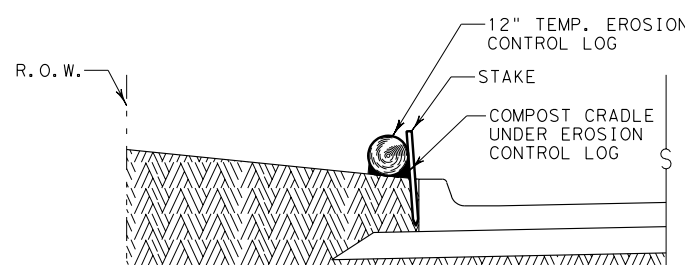
PLAN VIEW



PLAN VIEW

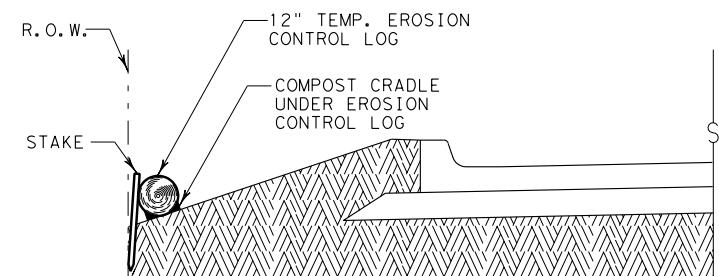


REBAR STAKE DETAIL
 NTS



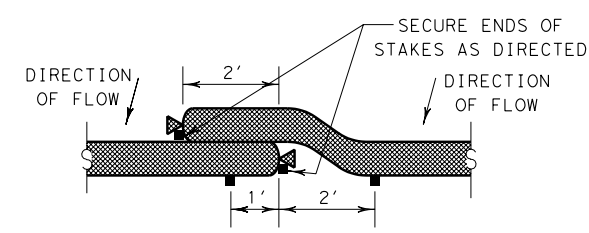
SECTION A-A

LOG PLACED AT BACK OF CURB
 NTS



SECTION B-B

LOG PLACED AT EDGE OF RIGHT-OF-WAY
 NTS



LAP DETAIL
 NTS

Texas Department of Transportation FORT WORTH DISTRICT			
TEMPORARY EROSION CONTROL LOGS TECL-04 (FW)			
FED. RD. DIV. NO. 6	FEDERAL AID PROJECT NO.		HIGHWAY NO.
STATE TEXAS	DISTRICT FTW	COUNTY	SHEET NO.
CONTROL	SECTION	JOB	

ORIGINAL OCT. 2004

© 2004 by Texas Department of Transportation; all rights reserved