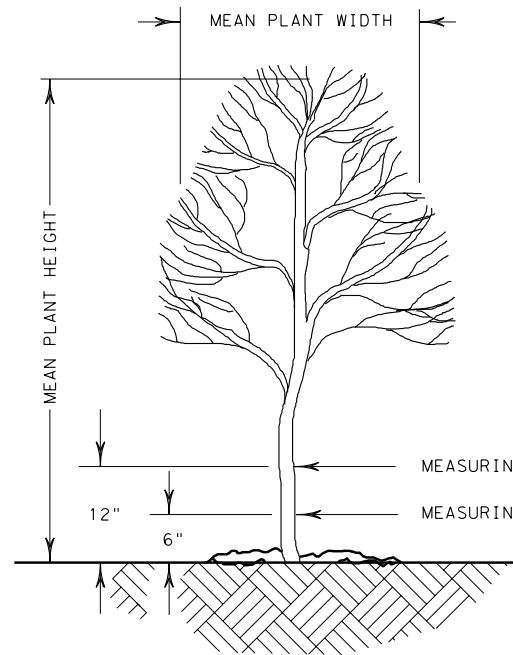


DISCLAIMER: The use of this standard is governed by the "Texas Engineering Practice Act". No warranty of any kind is made by TxDOT for any purpose whatsoever. TxDOT assumes no responsibility for the conversion of this standard to other formats or for incorrect results or damages resulting from its use.

http://www.dot.state.tx.us/ftw/spec/info/standard.htm tpdfw.dgn

| | |
|------------------|--|
| LEVELS DISPLAYED | |
| 1/2 | |
| 1 | |
| 2 | |
| 3 | |
| 4 | |
| 5 | |
| 6 | |



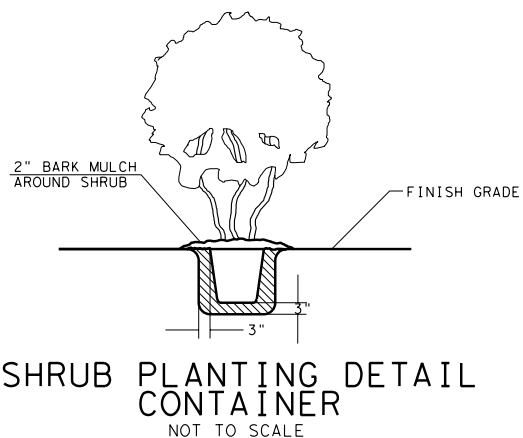
ALL TREES SHALL BE VIGOROUS, HEALTHY, AND WELL FORMED. FOLIAGE MASS SHALL BE FULL HEIGHT AND SPREAD AS PER SPECIFICATIONS.

SEE SPECIFICATIONS FOR PRUNING NOTES.

OUTSTANDING BRANCHES NOT INCLUDED IN THE PLANT MEASUREMENTS.

MEAN PLANT WIDTH SHALL BE CENTERED ON TRUNK, AND SHALL BE SYMMETRICAL.

TREE MEASURING DETAIL
NOT TO SCALE



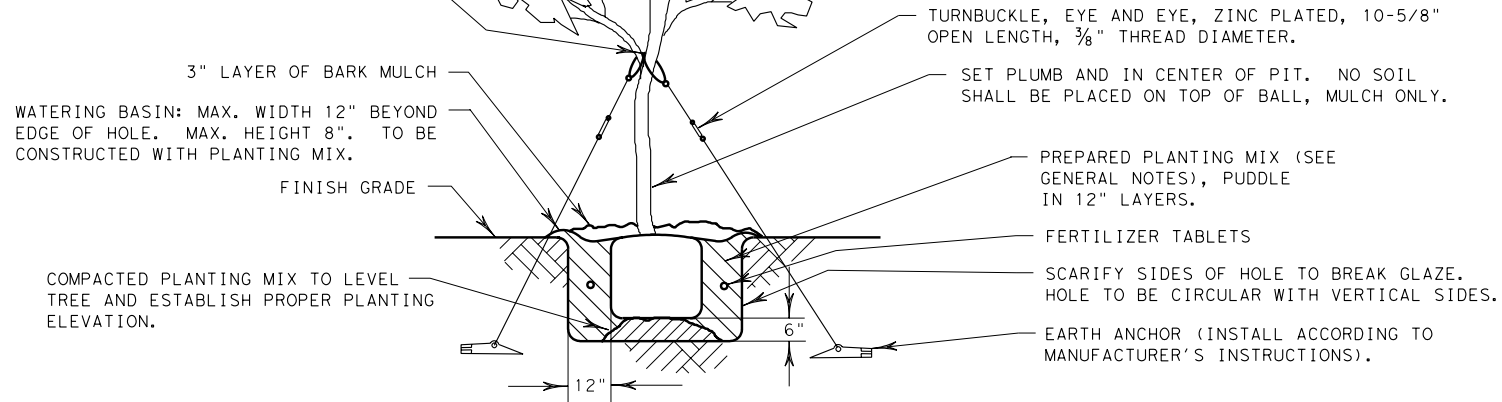
SHRUB PLANTING DETAIL CONTAINER
NOT TO SCALE

1/2"x12" FLEXIBLE TUBING (PVC TUBING WITH ULTRA-VIOLET INHIBITORS)

1/8" CABLE CLAMP, ZINC PLATED U-BOLT AND CLEVIS TYPE.

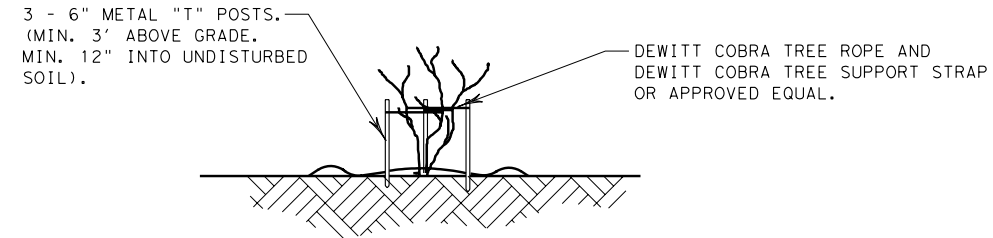
1/8" 7X7 GALVANIZED STEEL CABLE (ORANGE) OR WHITE VINYL COATED FOR HIGH VISIBILITY. USE 3 GUY WIRES SPACED TRIANGULARY AROUND TREE JUST INSIDE THE WATERING BASIN.

LOCATE CABLE ABOVE FIRST MAJOR BRANCH



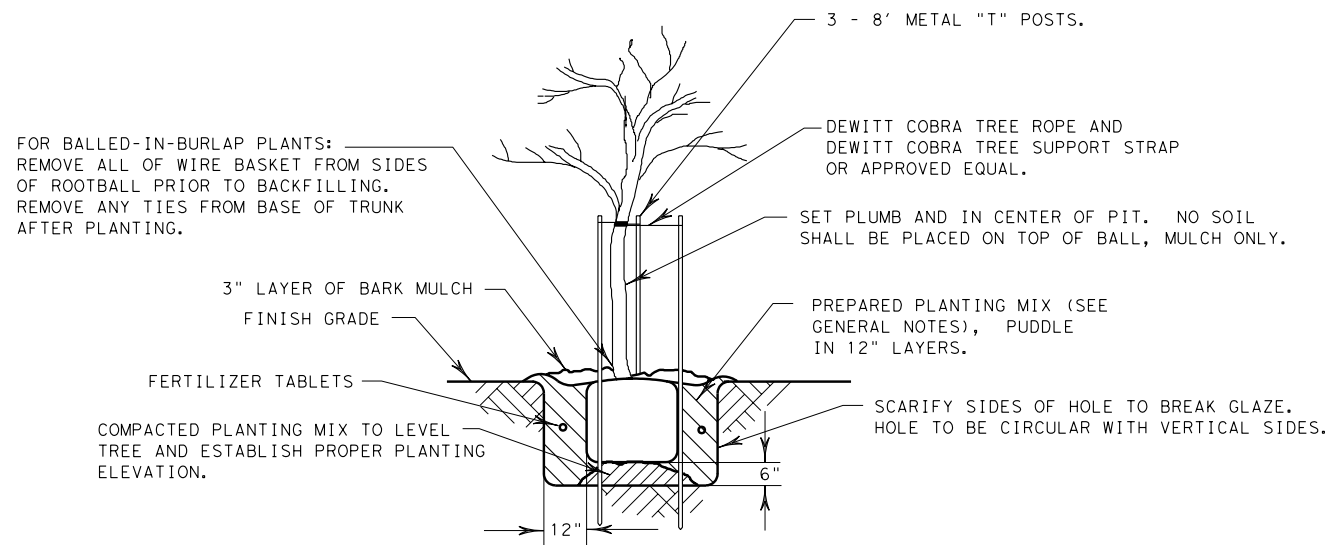
TREE PLANTING DETAIL B&B OR CONTAINER

NOT TO SCALE. STAKING FOR SINGLE TRUNK TREES 3" TO 6" CAL. FOR ALL OTHER SIZES SEE APPLICABLE DETAILS.



TREE STAKING DETAIL

NOT TO SCALE. STAKING FOR MULTI-TRUNKED TREES LESS THAN 3" CALIPER



TREE PLANTING DETAIL B&B OR CONTAINER

NOT TO SCALE. STAKING FOR SINGLE TRUNK TREES LESS THAN 3" CAL. FOR ALL OTHER SIZES. SEE APPLICABLE DETAILS.

PLAN VIEW

ATTACH ROPE TO TRUNK FARTHEST FROM STAKE

| FERTILIZER SCHEDULE: PLANTING | |
|----------------------------------------------------------------------------------------------------------------------------------------|-------------------------------------------------------------------------------------------------------------------------------|
| TREES | SHRUBS AND PERENNIALS: |
| 5-GALLON TREES 2 AGRIFORM* 21 GRAM TABLETS | 2-GALLON AND SMALLER 1 AGRIFORM* 21 GRAM TABLET |
| 15-GALLON TREES 3 AGRIFORM* 21 GRAM TABLETS | 3 TO 5-GALLON AND B&B MATERIAL WITH SPREADS TO THREE (3) FT. 2 AGRIFORMS* 21 GRAM TABLETS |
| 30-GALLON AND LARGER, 24" BOX AND LARGER, AND ALL B&B MATERIAL 1 AGRIFORM* 21 GRAM TABLETS PER EACH ONE-HALF (1/2) INCH OF CALIPER. | 15-GALLON AND B&B MATERIAL WITH SPREADS GREATER THAN THREE (3) FT. 3 AGRIFORM* 21 GRAM TABLETS. |
| SPACE TABLETS EVENLY AROUND ROOT BALL APPROX. 8" BELOW GRADE. PLACE NEXT TO BALL. (SEE 'TREE PLANTING' DETAIL) | SPACE TABLETS EVENLY AROUND ROOT BALL AND PLACE AT A DEPTH APPROX. 1/3 BALL DEPTH NEXT TO BALL. (SEE 'SHRUB PLANTING' DETAIL) |
| * OR APPROVED EQUAL | * OR APPROVED EQUAL |

© 2003 by Texas Department of Transportation all rights reserved

Texas Department of Transportation
FORT WORTH DISTRICT
TREE PLANTING DETAILS TPD-FW
SHEET 1 OF 1 SHEETS

| | | |
|-------------------|-----------------------|-----------------|
| FED. RD. DIV. NO. | STATE AID PROJECT NO. | SHEET NO. |
| 6 | | |
| STATE | DIST. | COUNTY |
| TEXAS | FORT WORTH | |
| CONT. | SECT. | JOB HIGHWAY NO. |