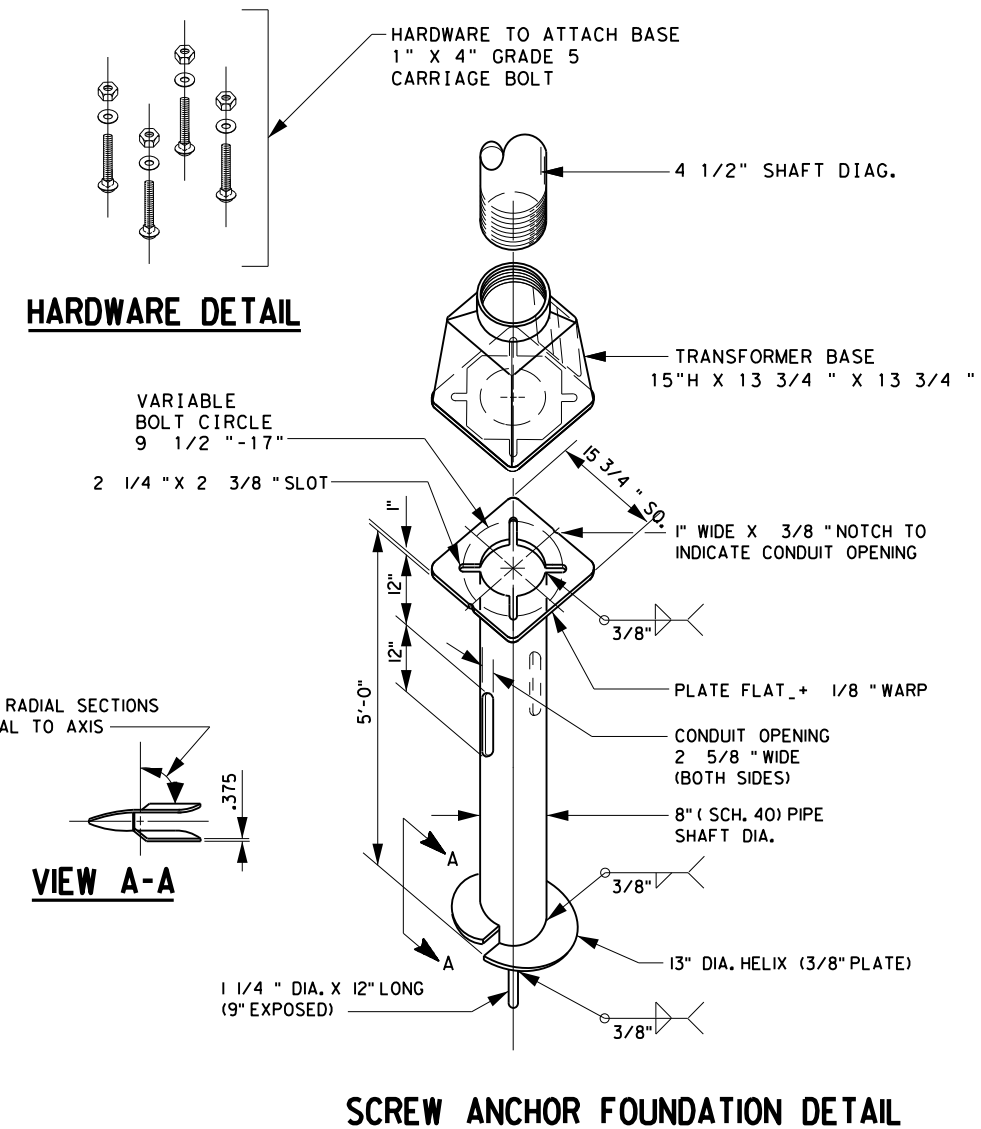
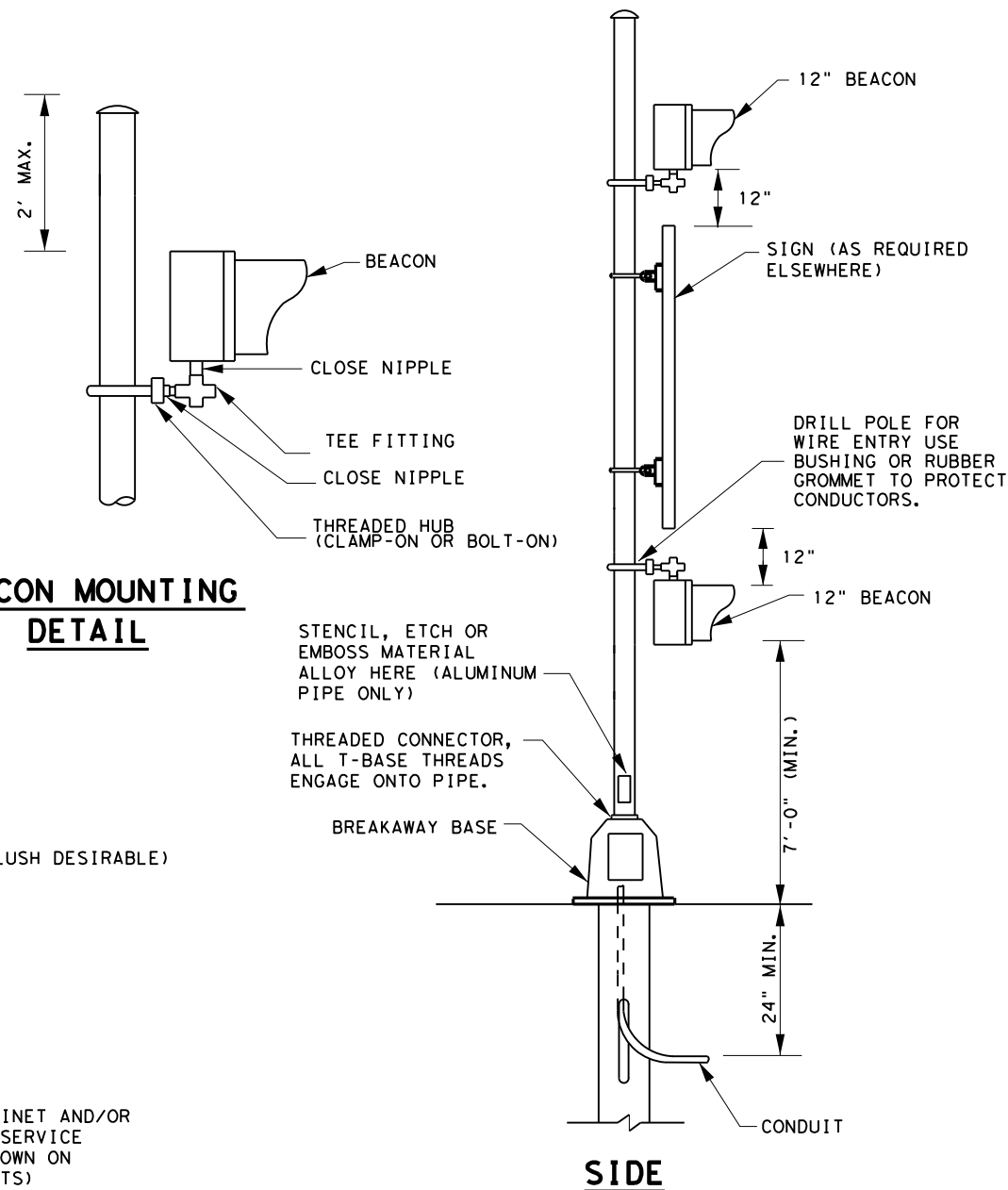


**BEACON MOUNTING  
DETAIL**



**HARDWARE DETAIL**

**VIEW A-A**

**SCREW ANCHOR FOUNDATION DETAIL**

**NOTE:**

SEE STANDARD (RFBA - 13) FOR NOTES AND  
NON - FUSED BREAKAWAY ELECTRICAL CONNECTOR DETAILS

<b>SIGNAL DETAILS/STANDARDS ROADSIDE FLASHING BEACON ASSEMBLY "SCHOOL ZONE" RF/BA/SZ</b>									
FILE:	DN:	CK:	DW:	CK:					
© TxDOT 2007	DIST	FED REG	PROJECT NO.		SHEET				
REVISIONS									
05-05 11-08	HOU	6							
06-06 01-14	COUNTY	CONTROL	SECT	JOB	HIGHWAY				
03-07 02-15									