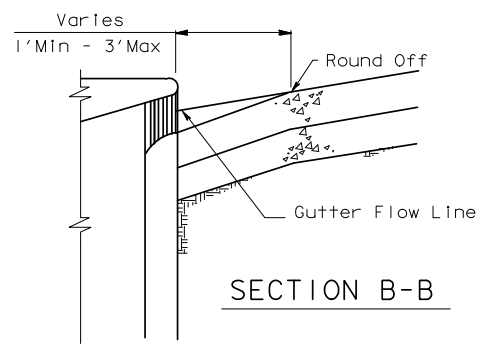
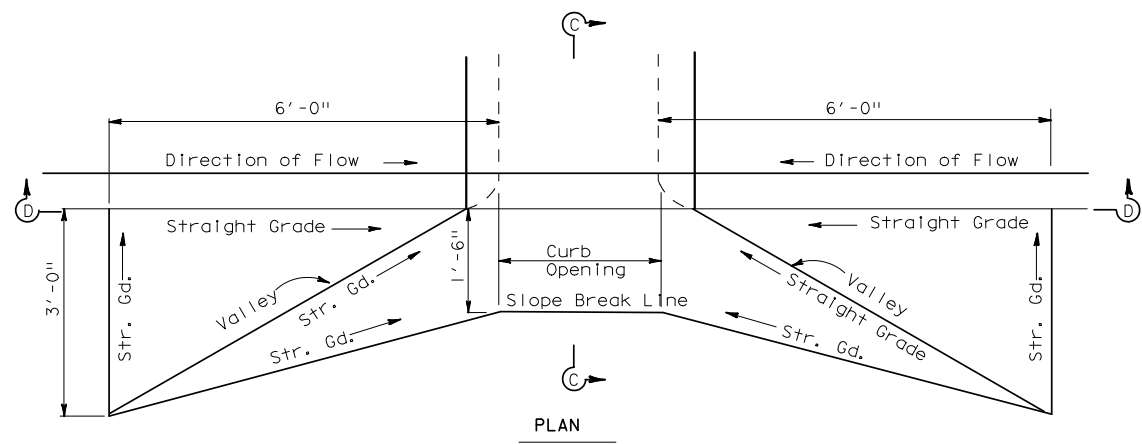


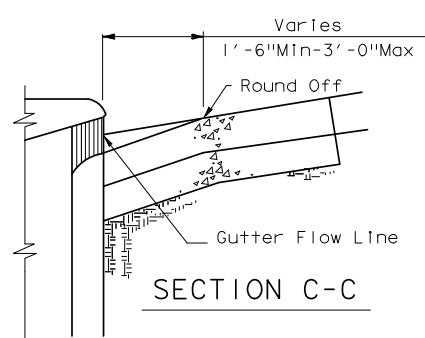
PLAN  
SECTION A-A  
CURB INLET ON GRADE



SECTION B-B



PLAN  
SECTION D-D  
CURB INLET AT SAG



SECTION C-C

GENERAL NOTES:  
Base Course under Concrete Pavement shall be full depth and shall conform to surface depression details.



GUTTER DEPRESSION DETAILS FOR CURB INLETS

GD

FILE#	STDD12.DGN	DN#	TxDOT	CK#	TxDOT	DW#	TxDOT	CK#	TxDOT	STD#	
©	TxDOT	Mar	2004	DIST	HOUS	FED REG	6	PROJECT NO.		SHEET	
REVISIONS				COUNTY		CONTROL	SECT	JOB	HIGHWAY		

STDD12.DGN