

REINFORCED CONCRETE PIPE

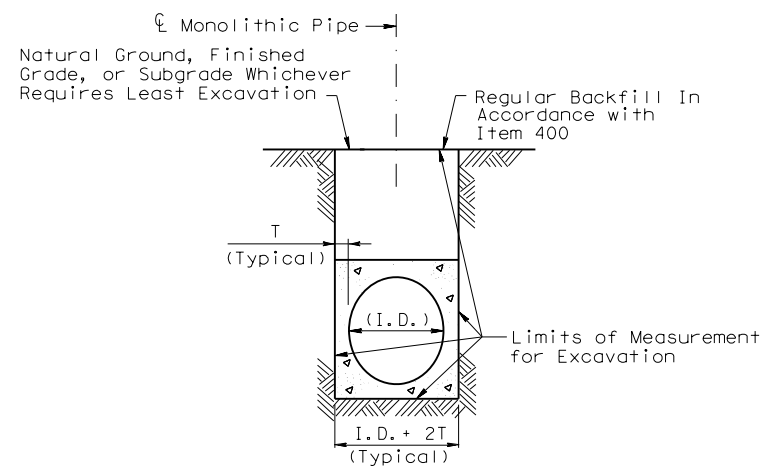
EXCAVATION AND BACKFILL QUANTITIES

PIPE DIA. IN.	T FT.	CULVERT OR SEWER EXCAVATION IN A PAVED OR GRADED AREA	CEMENT STABILIZED BACKFILL IN A PAVED OR GRADED AREA
		C.Y. PER L.F. PER FT. OF DEPTH	C.Y. PER L.F. OF PIPE
18	0.19	0.144	0.383
24	0.23	0.165	0.478
30	0.29	0.188	0.586
36	0.33	0.210	0.692
42	0.38	0.231	0.808
48	0.42	0.327	1.394
54	0.46	0.349	1.560
60	0.50	0.370	1.731
66	0.54	0.392	1.907
72	0.58	0.414	2.088
78	0.62	0.435	2.275
84	0.67	0.457	2.474

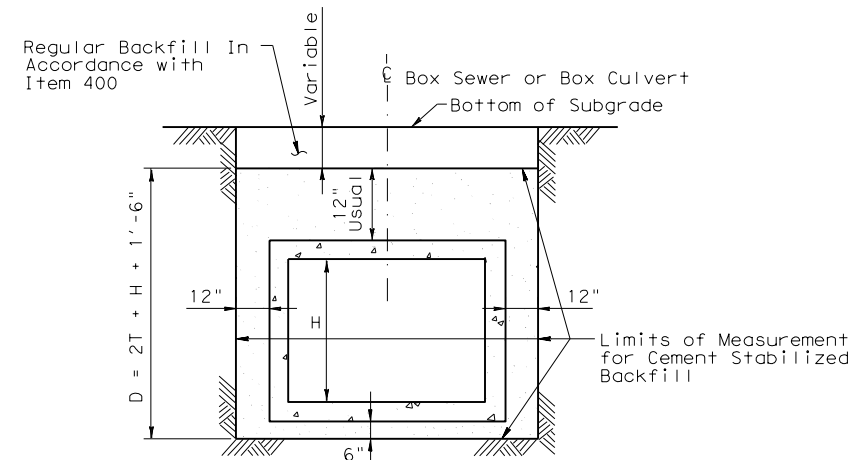
MONOLITHIC PIPE

EXCAVATION QUANTITIES

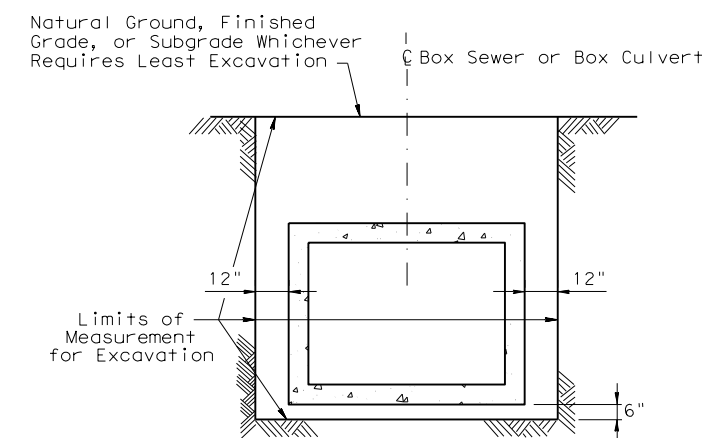
PIPE DIA. IN.	T FT.	EXCAVATION
		C.Y. PER L.F. PER FT. OF DEPTH
36	0.417	0.142
42	0.458	0.164
48	0.458	0.182
54	0.500	0.204
60	0.583	0.228
66	0.583	0.247
72	0.625	0.269
78	0.625	0.287
84	0.625	0.306



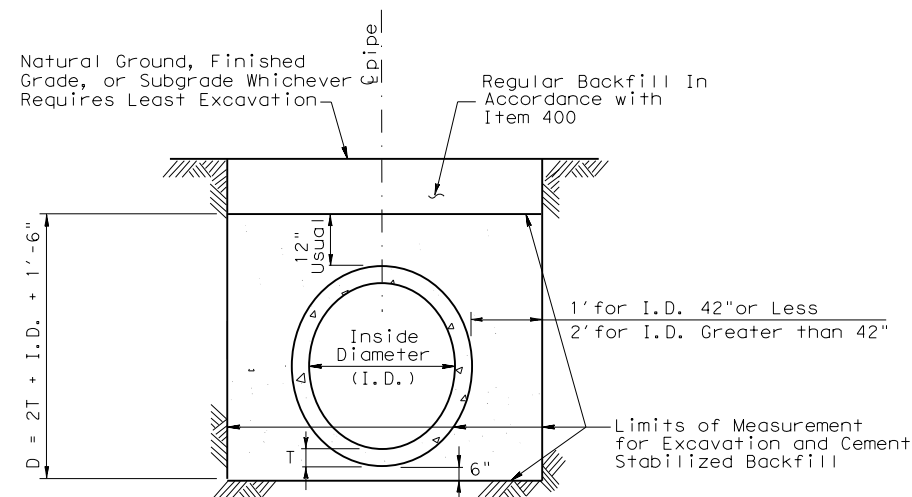
EXCAVATION DETAIL
MONOLITHIC PIPE
IN A PAVED OR GRADED AREA



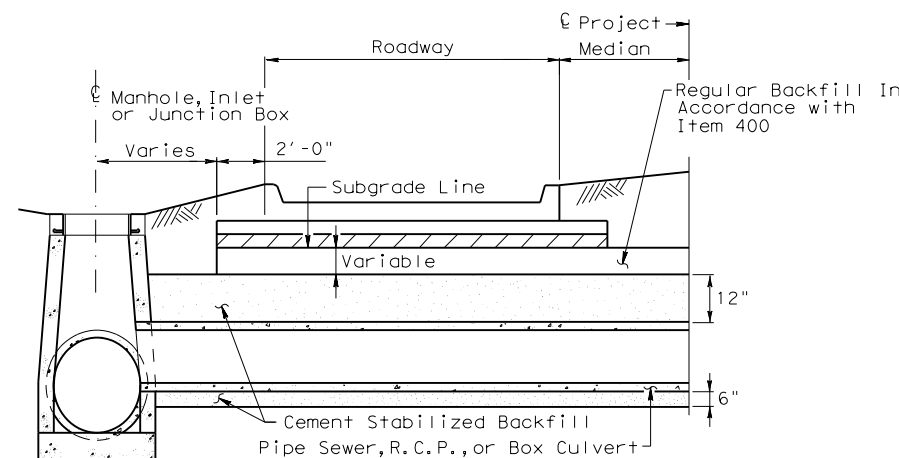
BACKFILL DETAIL
BOX CULVERTS
IN A GRADED OR PAVED AREA
INCLUDING DETOURS *



EXCAVATION DETAIL
BOX CULVERTS
IN A GRADED AREA



EXCAVATION & BACKFILL DETAIL
REINFORCED CONCRETE PIPE
IN A GRADED OR PAVED AREA
INCLUDING DETOURS



BACKFILL DETAIL
AT MANHOLE, INLET OR JUNCTION BOX

NOTE:

Cement stabilized backfill may be omitted in private driveways as indicated elsewhere in the plans.

Rubber gaskets shall be required for all joints on proposed cross drainage, pipe culverts and proposed storm sewer systems, unless otherwise shown in the plans.

* Backfill with cement stabilized material will be required for all structures under detours unless noted otherwise in the General Notes.

EXCAVATION AND BACKFILL DIAGRAMS

E&BD

D = Depth
H = Height
T = Thickness
R = Radius
Dia = Diameter

FILE: STDE1.DGN	DN: TxDot	CK: TxDot	DW: TxDot	CK: TxDot
© TxDOT FEB 2010	DIST	FED REG	PROJECT NO.	SHEET
REVISED 11/05	HOUSTON	6		
REVISED 2/2010 Added note to Table 1, Sht 2 of 2.	COUNTY	CONTROL	SECT	JOB
REVISED 6/12				HIGHWAY
REVISED 9/14				