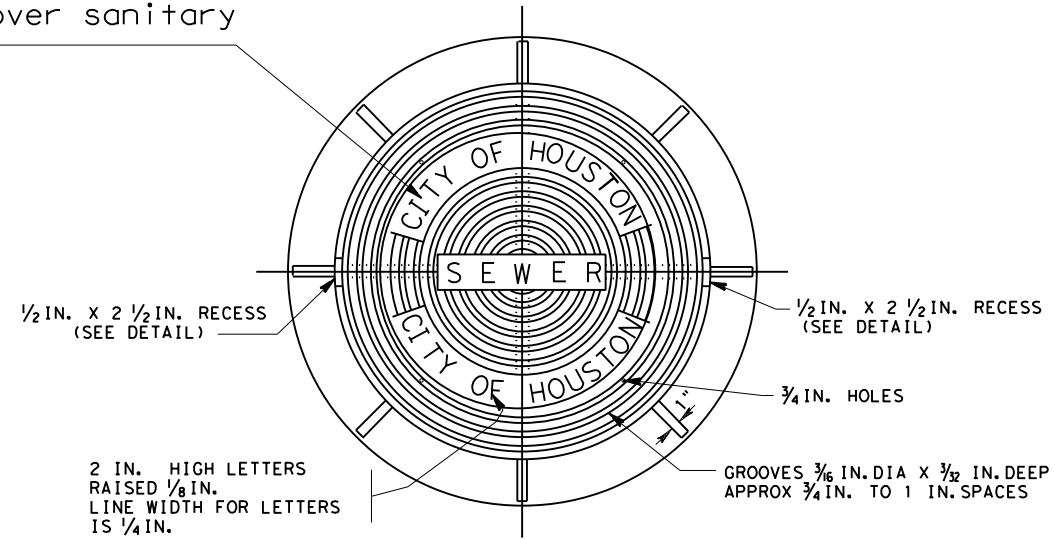
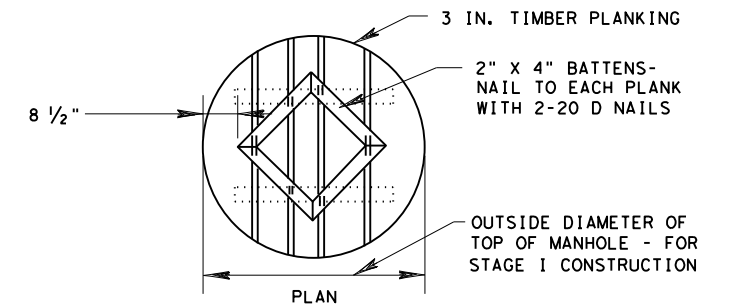


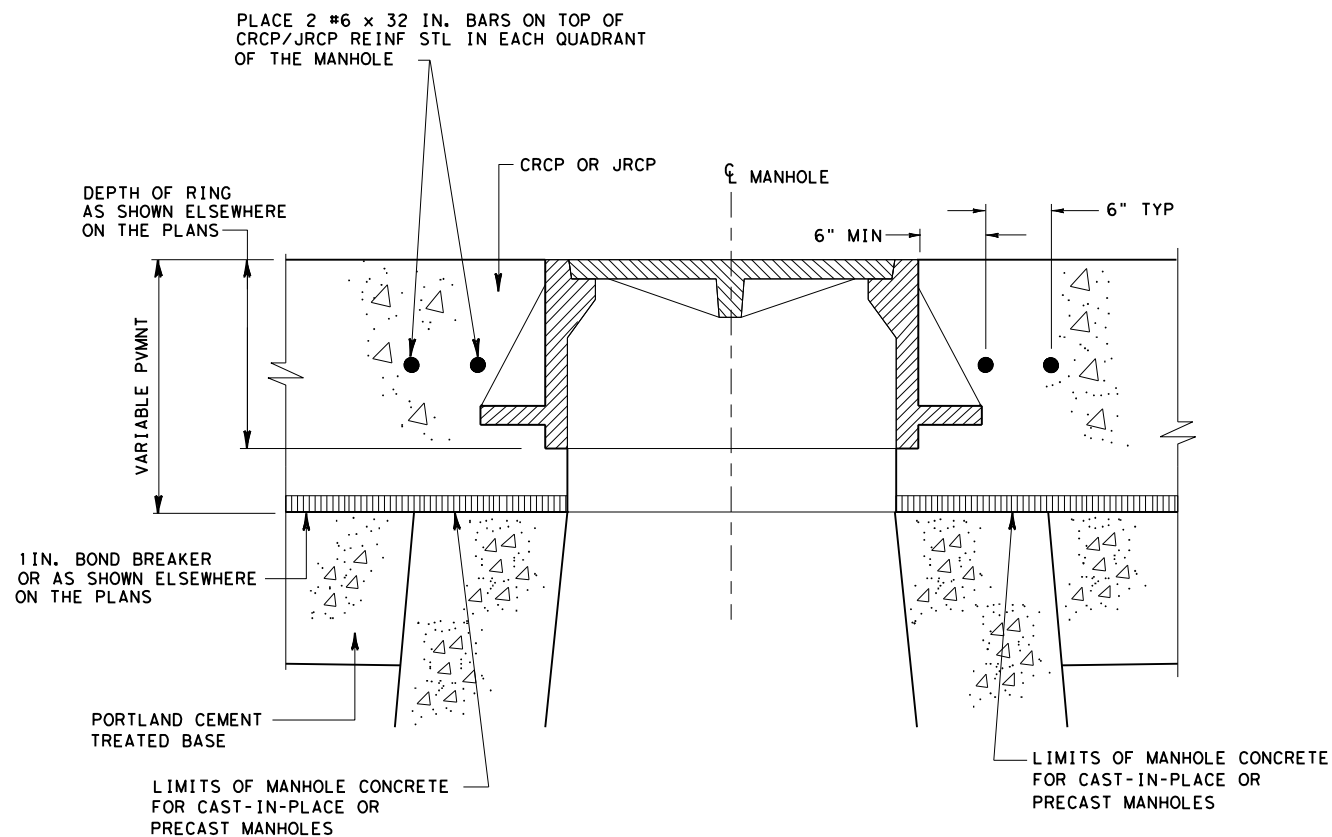
Note to Contractors:
 Manhole cover for City of Houston is shown as an example. Covers should depict the name of the city with jurisdiction over sanitary sewer facility.



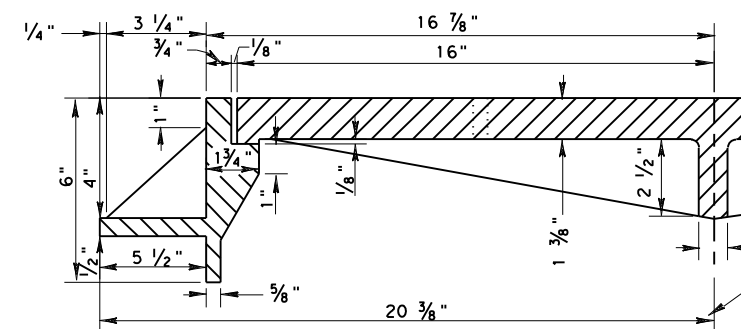
PLAN-MANHOLE RING AND COVER



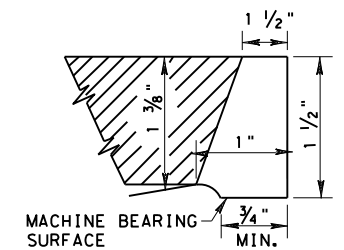
TEMPORARY TIMBER
 COVER FOR MANHOLES



RING AND COVER CAST
 MONOLITHICALLY WITH PAVEMENT



HALF SECTION
 32 IN. MANHOLE RING AND COVER
 STANDARD MANHOLE RING AND COVER



RECESS DETAIL

SHEET 3 OF 4

NOTE: JRCP = JOINTED REINFORCED CONCRETE PAVEMENT
 CRCP = CONTINUOUSLY REINFORCED CONCRETE PAVEMENT

Texas Department of Transportation
 Houston District (Roadway)

SANITARY SEWER DETAILS

SSD-3

FILE: STDF3.DGN	DN: TxDot	CK: TxDot	DW: TxDot	CK: TxDot
© TxDOT MAY 2006	DIST	FED REG	PROJECT NO.	SHEET
6/2006	REVISIONS		HOU	6
3/15 2014 SPECS	COUNTY	CONTROL	SECT	JOB
9/2016				HIGHWAY