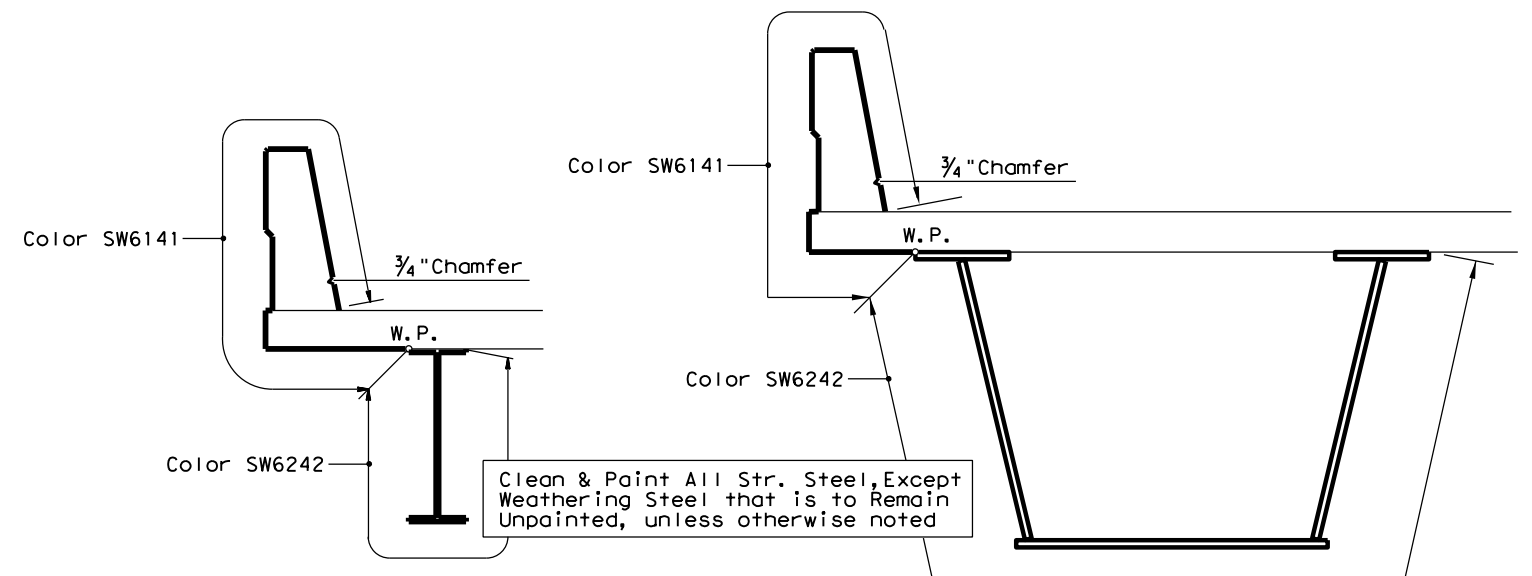
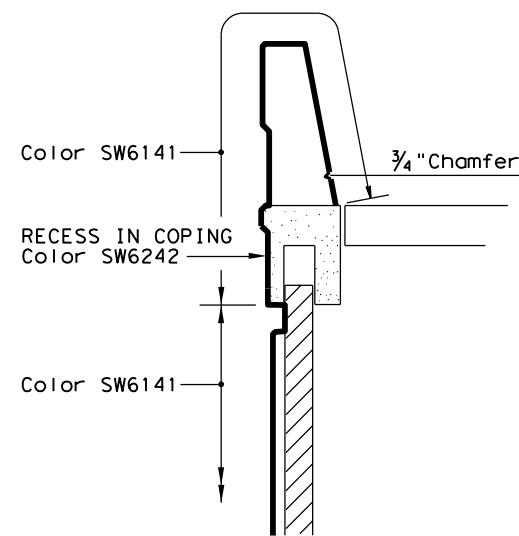


WAVE SCHEME		SHERWIN WILLIAMS (SW) COLOR # 6141 OR EQUAL	SHERWIN WILLIAMS (SW) COLOR # 6242 OR EQUAL
MSE WALL	PANEL / COPING	X	
	COPING ACCENT		X
STRUCTURES	COLUMN	X	
	BENT CAP	X	
	BEAM		X
RAIL	MEDIAN LOCATION	X	
	EDGE LOCATION	X	
SOUND WALL	PANEL / COLUMN	X	
	COPING / COLUMN CAP / RECESSED CIRCLE OF END COLUMN		X
OTHER STRUCTURES	SIGN COLUMNS	X	
	NEW RIP RAP	X	

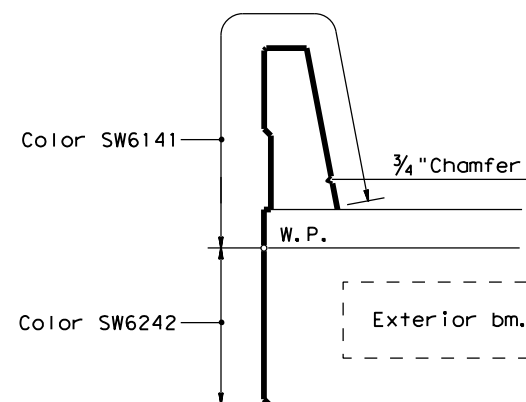


SECTION THRU BRIDGE STEEL I-BEAM
TYPICAL ALL GIRDERS, U.N.O.

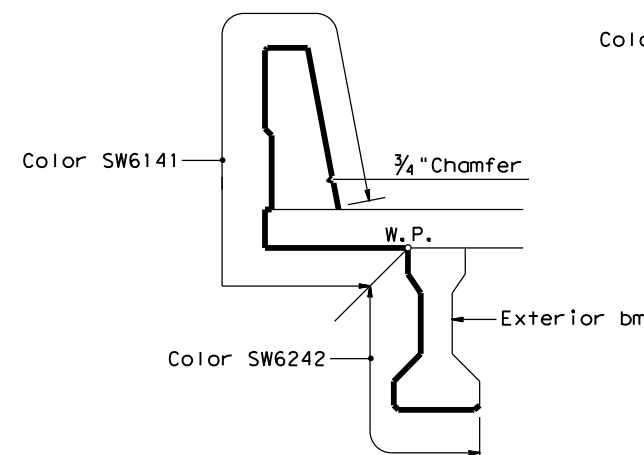
SECTION THRU BRIDGE STEEL TUB-GIRDER
TYPICAL ALL GIRDERS, U.N.O.



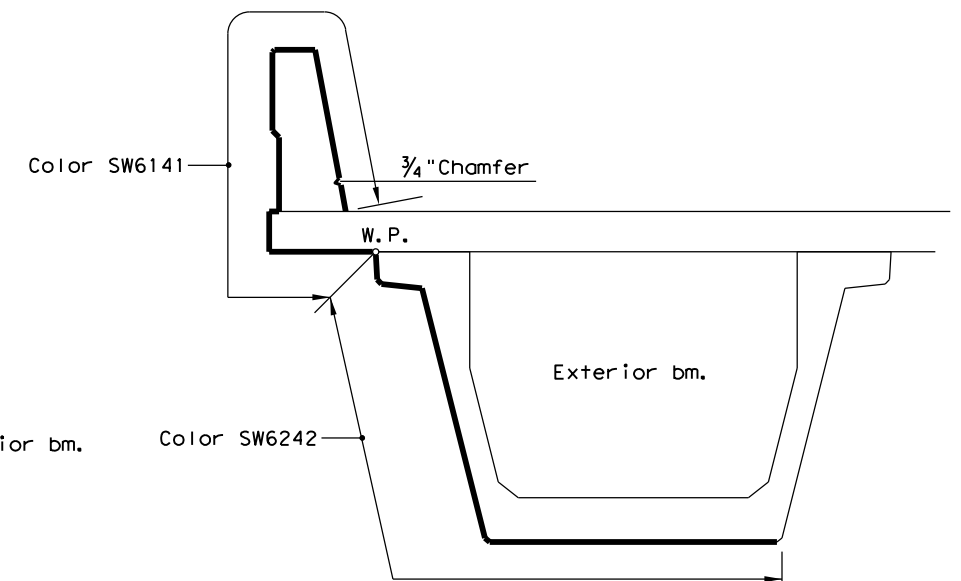
SECTION THRU RETAINING WALL



SECTION THRU BRIDGE CONC BOX BEAM



SECTION THRU BRIDGE CONC I-BEAM



SECTION THRU BRIDGE CONC U-BEAM

TYPICAL SECTIONS

Showing dual color. All other bridge components are color SW6141 Or equal.

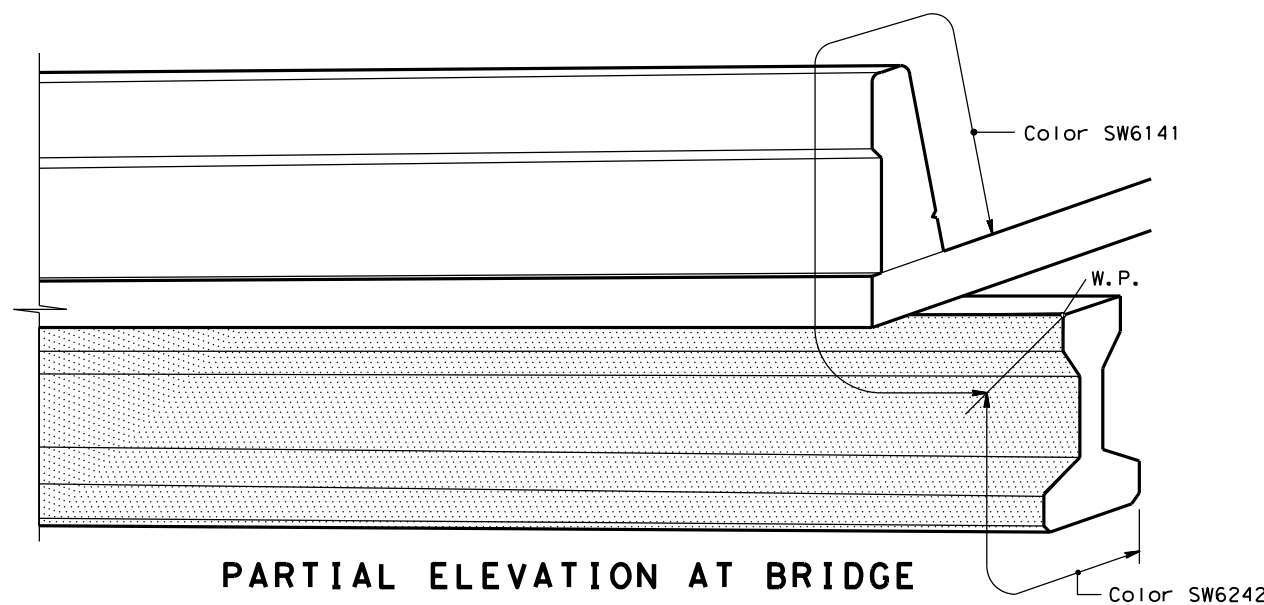
NOTES: Provide a Surface Area I, Concrete Paint Finish, as per the Standard Specifications and these Details

NEW CONCRETE SURFACES

Item 427 "Surface Finishes For Concrete" will NOT be Measured or Paid for on New Concrete Surfaces: Item 427 will be incidental to various bid items on New Concrete Surfaces.

EXISTING CONCRETE SURFACES

Item 427 "Surface Finishes For Concrete" will be Measured and Paid for on Existing Concrete Surfaces.



PARTIAL ELEVATION AT BRIDGE

Texas Department of Transportation
Houston District Bridge
Green Ribbon Project

SURFACE FINISHES FOR CONCRETE WAVE SCHEME

SFC-WS

FILE: STDJ11.DGN	DN:	CK:	DW:	CK:
© TXDOT APRIL 2010	DISTRICT FED REG	PROJECT NO.	SHEET	
REVISIONS	HOUSTON	6		
6/2017 Removed rail patterns.	COUNTY	CONTROL SECT	JOB	HIGHWAY