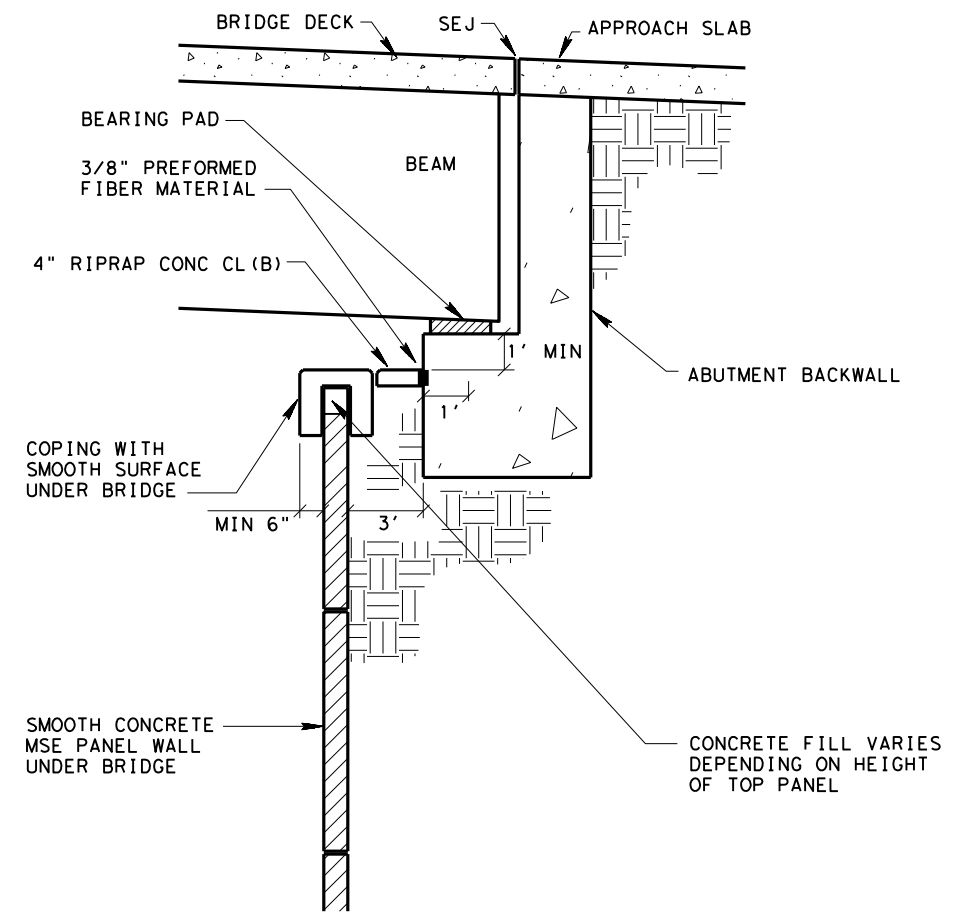
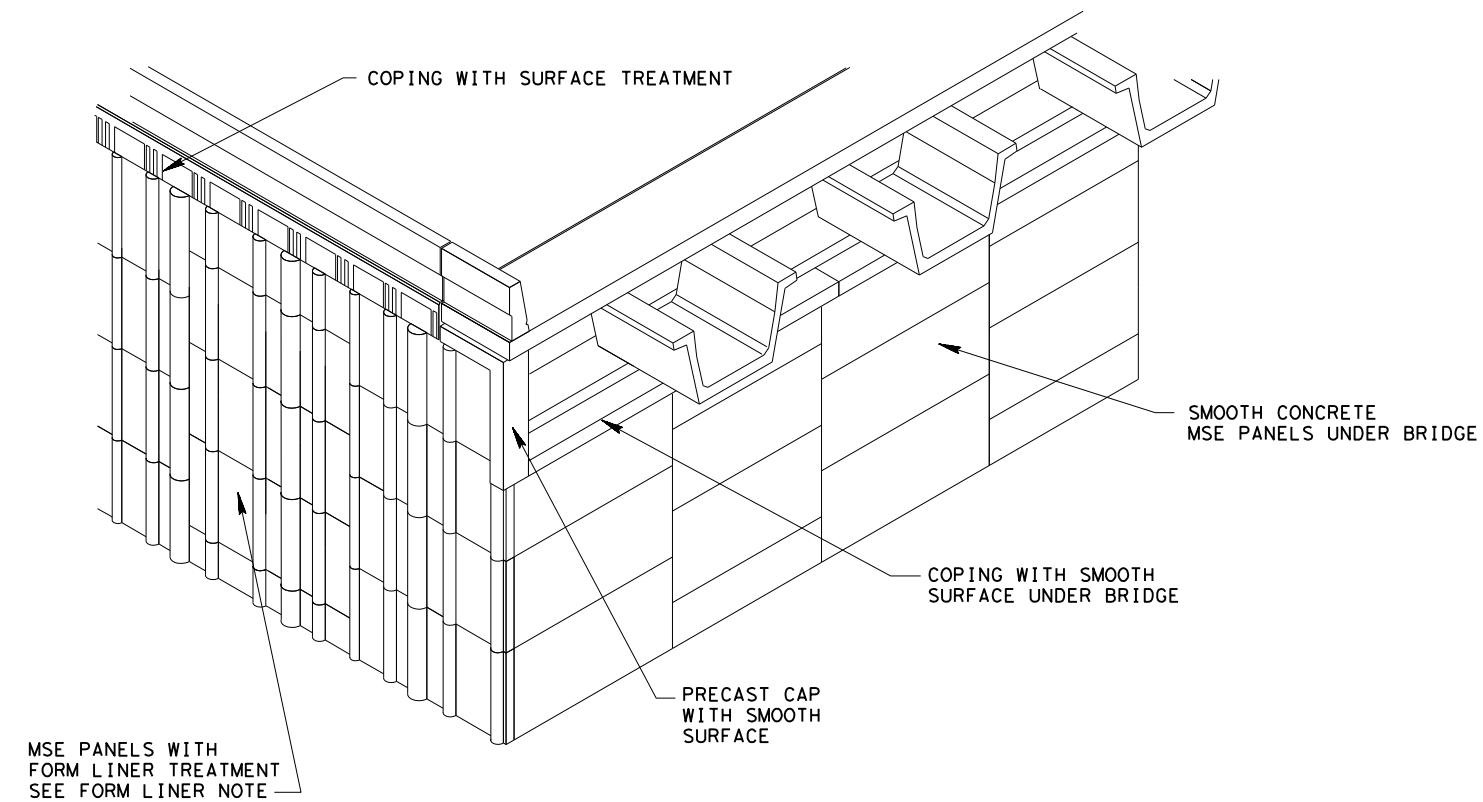


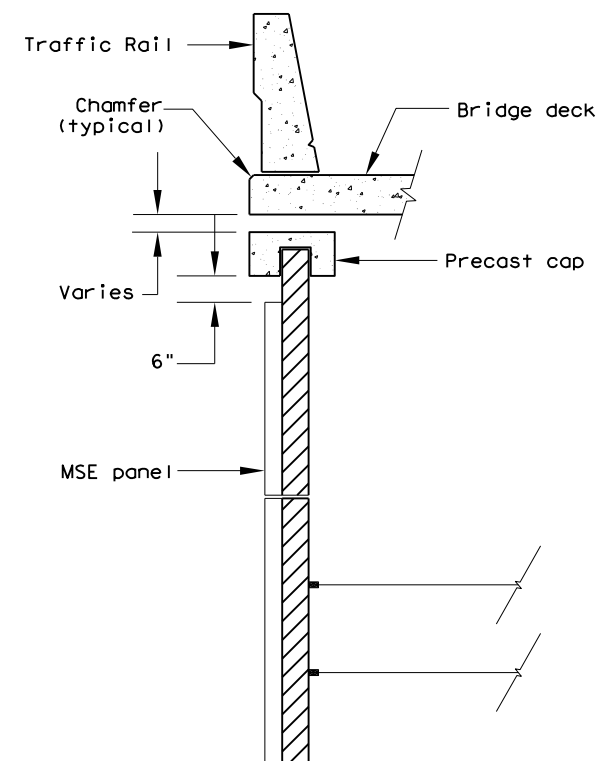
ELEVATION



TYPICAL WALL SECTION @ ABUTMENT



VERTICAL SCHEME: MSE Retaining Wall w/ Vertical Front Face



SECTION A-A

NOT TO SCALE

Texas Department of Transportation
 Houston District Bridge
 Green Ribbon Project

RETAINING WALL DETAILS
VERTICAL SCHEME

RWD-VS

FILE:	STDJ1.DGN	DN:	CK:	DW:	CK:
©	TxDOT	DEC 2005	DISTRICT	FED REG	PROJECT NO.
REVISIONS		HOUSTON	6		
		COUNTY	CONTROL	SECT	JOB
					HIGHWAY