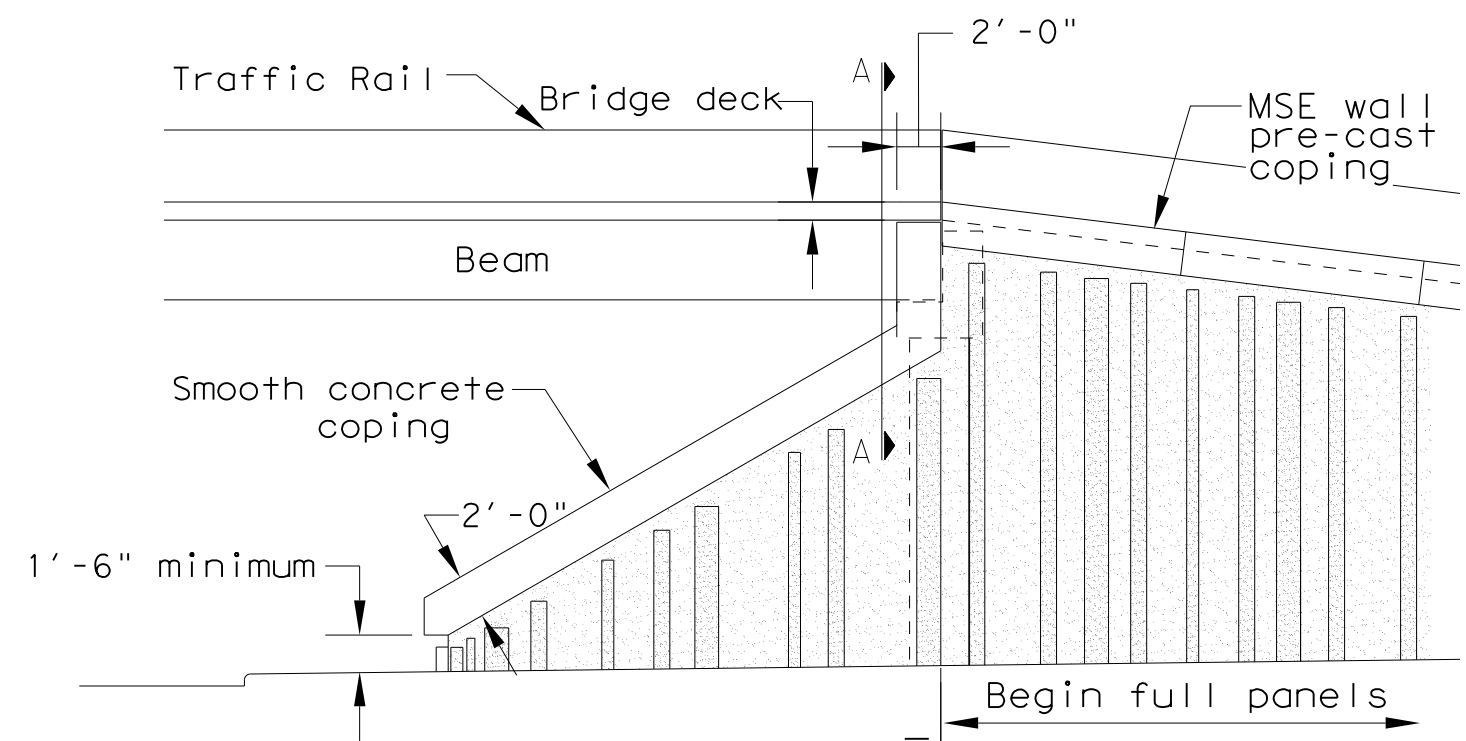
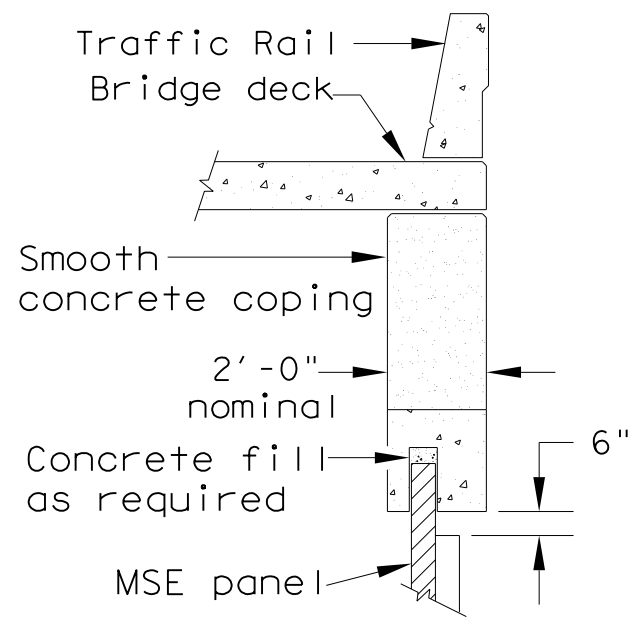


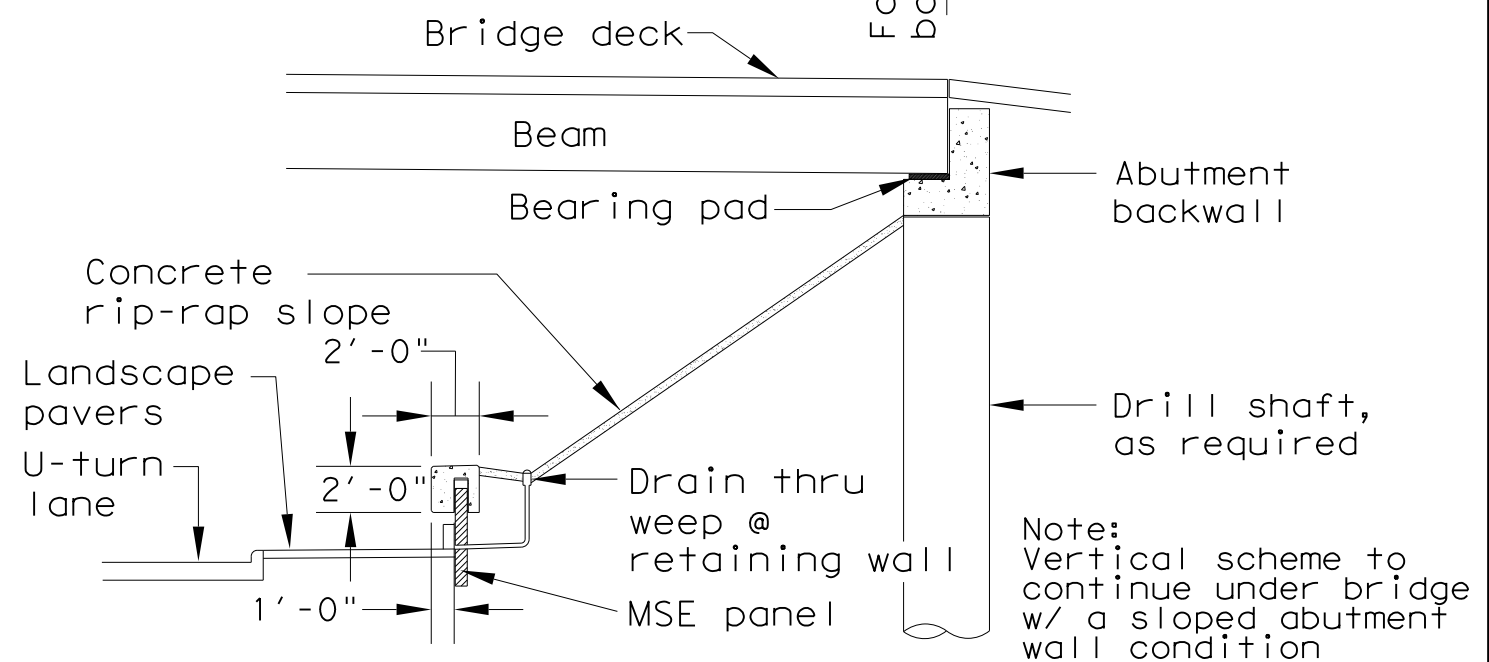
ELEVATION 1/16" = 1' - 0"



ELEVATION 1/8" = 1' - 0"



SECTION A-A 1/4" = 1' - 0"



SECTION 1/8" = 1' - 0"

VERTICAL SCHEME: MSE Retaining Wall w/ Sloped Rip Rap

Texas Department of Transportation
Houston District Bridge
Green Ribbon Project

RETAINING WALL DETAILS
VERTICAL SCHEME

RWD-VS

FILE:	STDJ1.DGN	DN:	CK:	DW:	CK:
©	TxDOT	DEC 2005	DISTRICT	FED REG	PROJECT NO.
REVISIONS			HOUSTON	6	
			COUNTY	CONTROL	SECT
				JOB	HIGHWAY