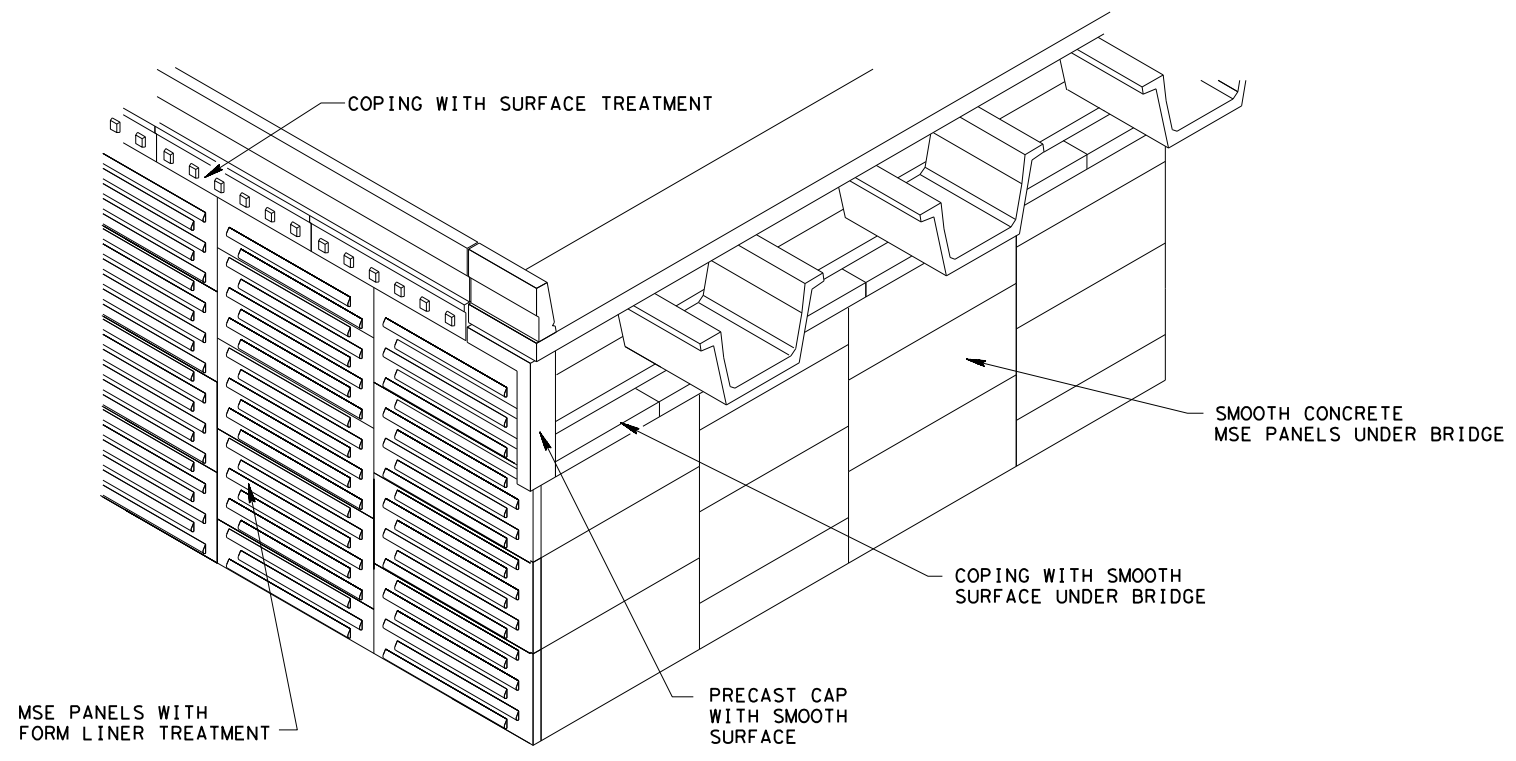
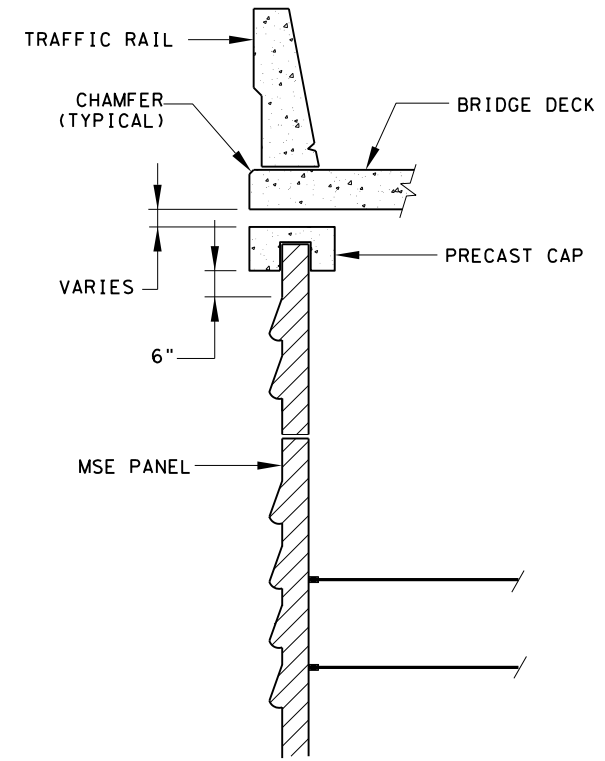


**TYPICAL WALL SECTION @ ABUTMENT**



**HORIZONTAL SCHEME: MSE Retaining Wall w/ Vertical Front Face**



**SECTION A-A**

NOT TO SCALE

Texas Department of Transportation  
Houston District Bridge  
Green Ribbon Project

**RETAINING WALL DETAILS**  
HORIZONTAL SCHEME

RWD-HS

FILE:	STDJ2.DGN	DN:	CK:	DW:	CK:
©	TxDOT	DEC 2005	DISTRICT	FED REG	PROJECT NO.
REVISIONS		HOUSTON	6	SHEET	
COUNTY			CONTROL	SECT	JOB
					HIGHWAY