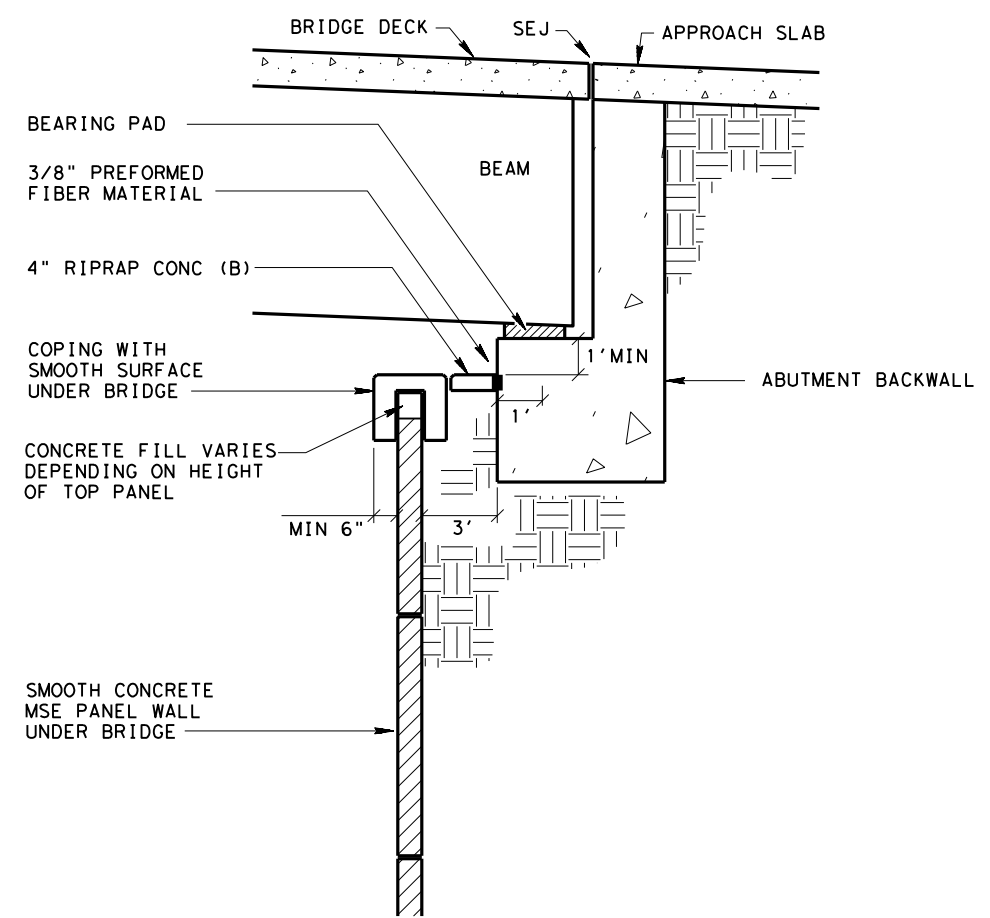
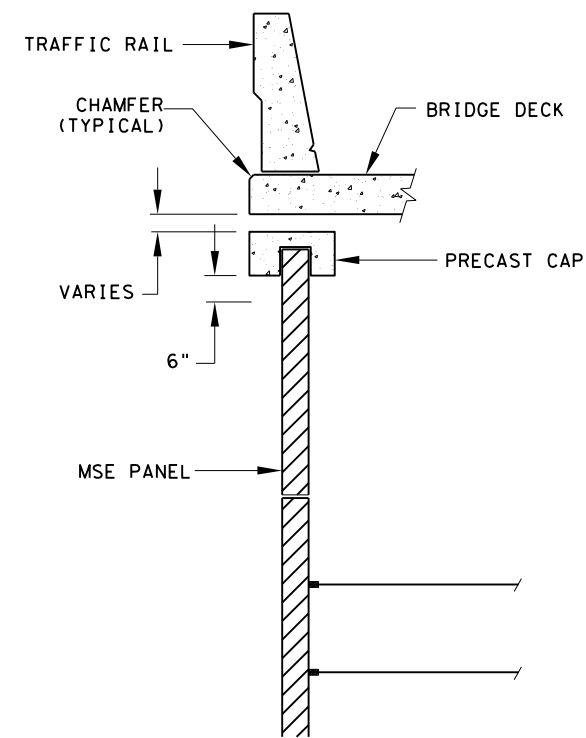
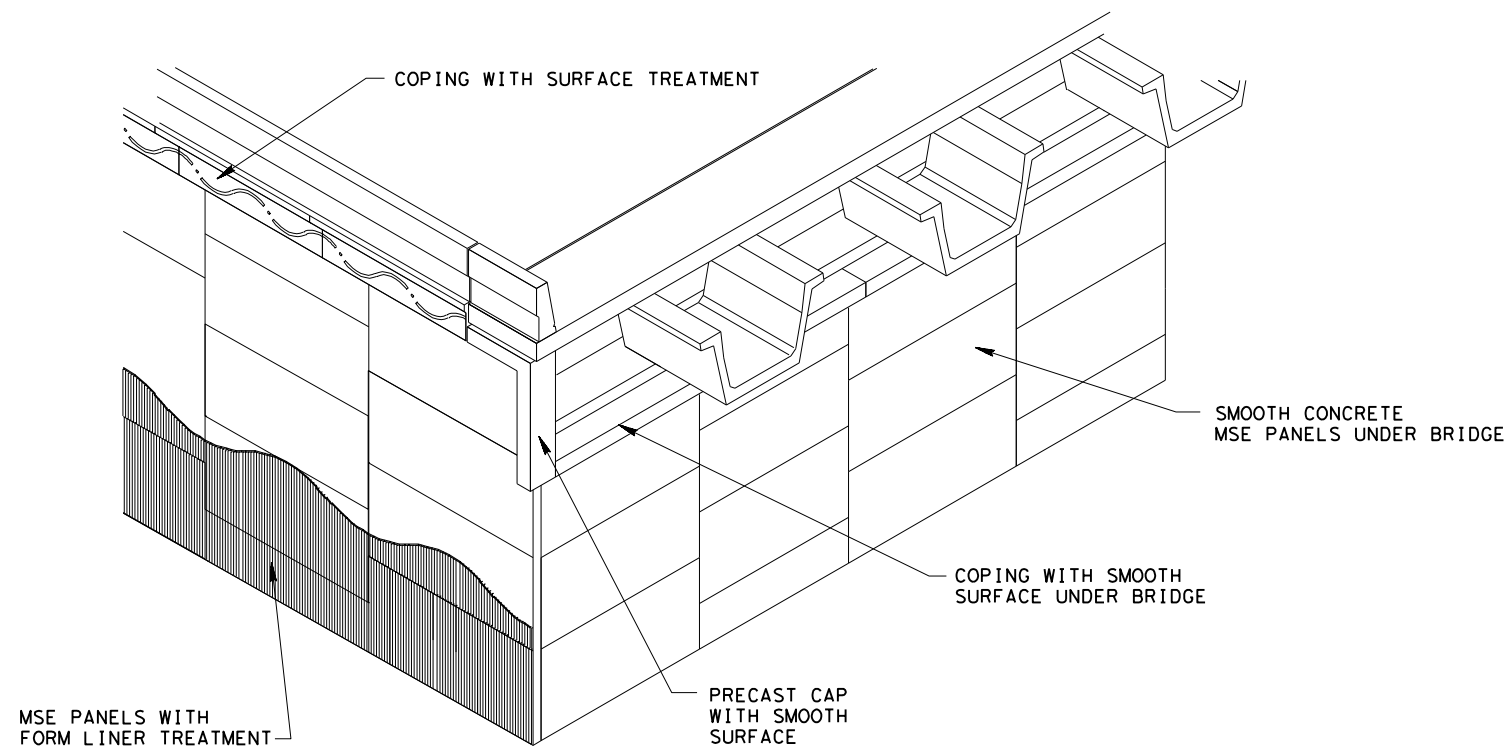


ELEVATION



TYPICAL WALL SECTION @ ABUTMENT



SECTION A-A

Wave Scheme: MSE Retaining Wall w/ Vertical Front Face

NOT TO SCALE

Texas Department of Transportation
Houston District Bridge
Green Ribbon Project

RETAINING WALL DETAILS
WAVE SCHEME

RWD-WS

FILE:	STDJ3.DGN	DN:	CK:	DW:	CK:
©	TxDOT	APRIL 2006	DISTRICT	FED REG	PROJECT NO.
REVISIONS		HOUSTON	6		
		COUNTY	CONTROL	SECT	JOB
					HIGHWAY