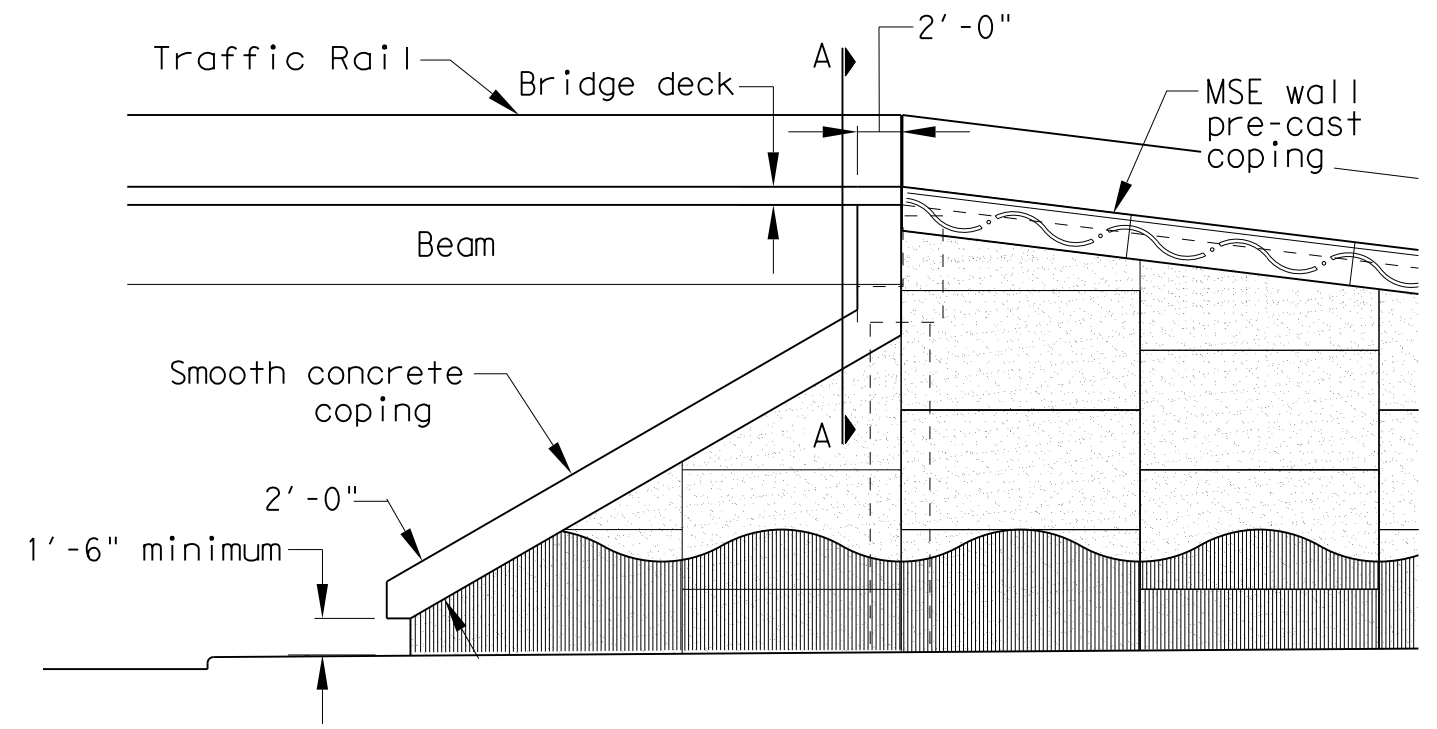
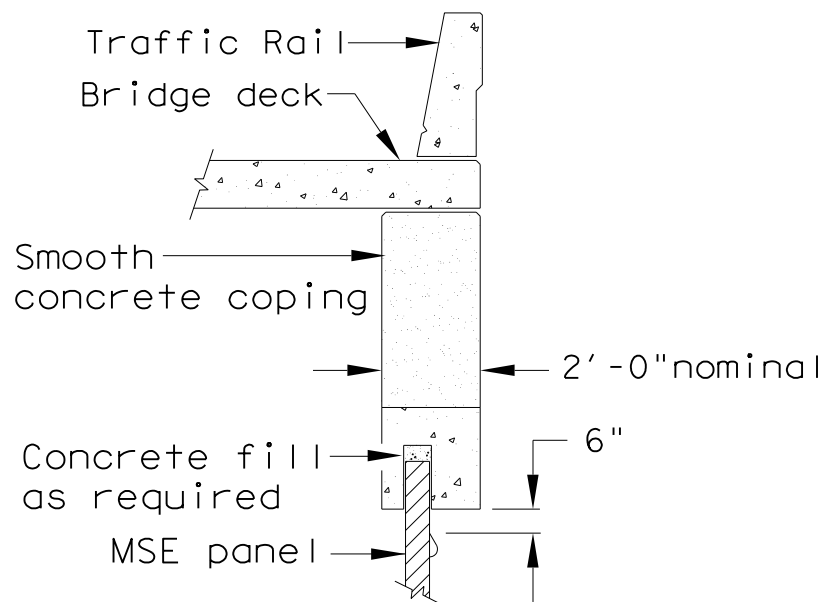


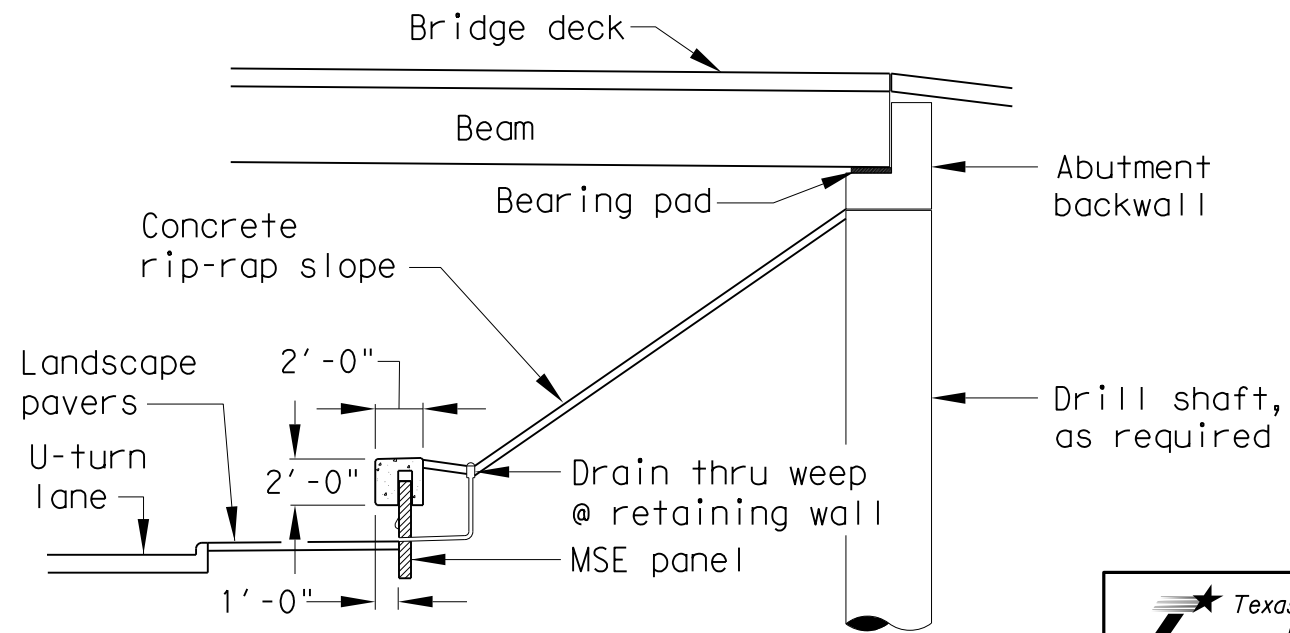
ELEVATION 1/16" = 1' - 0"



ELEVATION 1/8" = 1' - 0"



SECTION A-A 1/4" = 1' - 0"



SECTION 1/8" = 1' - 0"

WAVE SCHEME: MSE Retaining Wall w/ Sloped Rip Rap

Texas Department of Transportation
Houston District Bridge
Green Ribbon Project

RETAINING WALL DETAILS
WAVE SCHEME

RWD-WS

FILE: STDJ3.DGN	DN:	CK:	DW:	CK:
© TxDOT APRIL 2006	DISTRICT	FED REG	PROJECT NO.	SHEET
REVISIONS	HOUSTON	6		
	COUNTY	CONTROL	SECT	JOB HIGHWAY