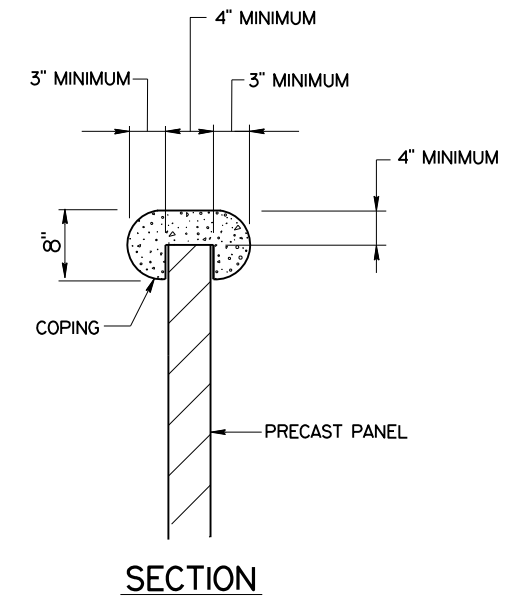
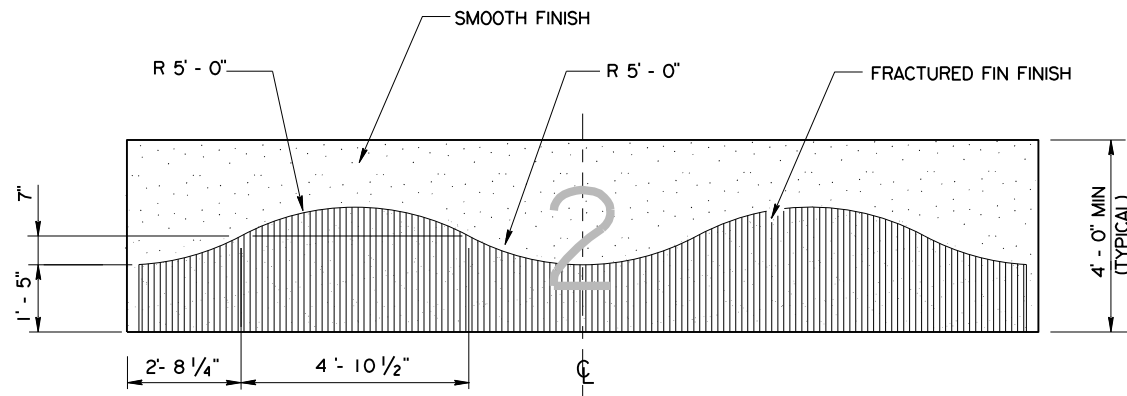


FRACTURED FIN PATTERN
PRECAST CONCRETE PANEL
(FREEWAY SIDE)

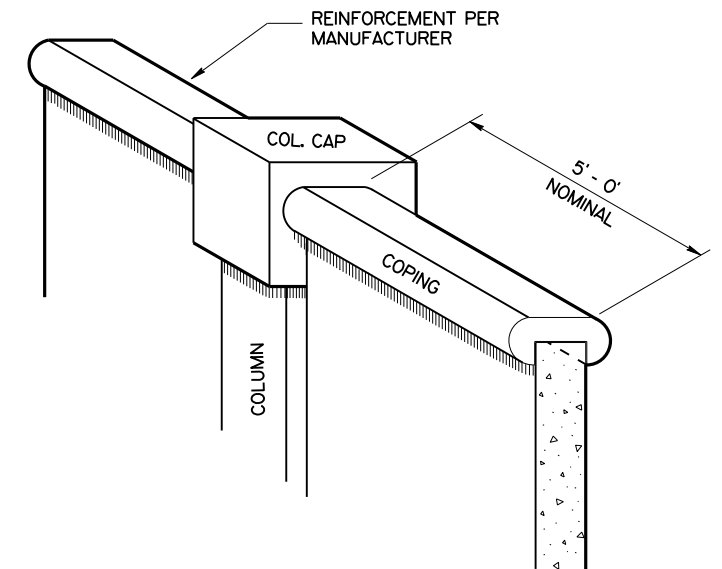


SECTION

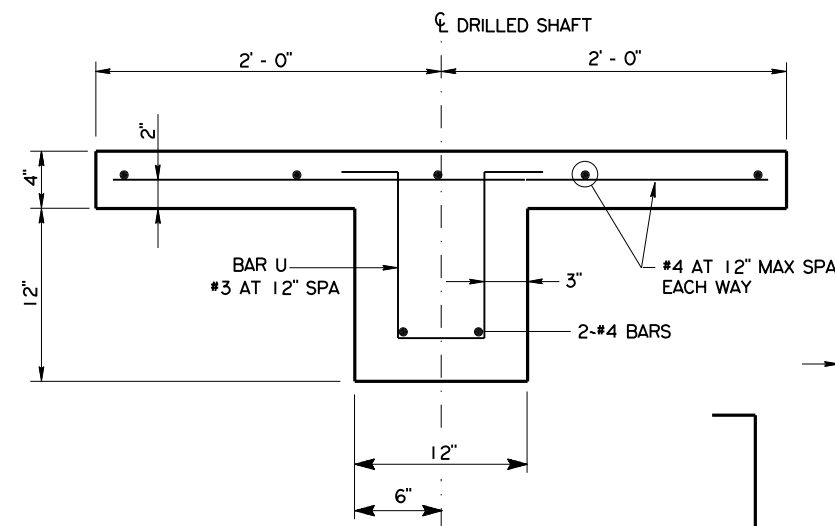
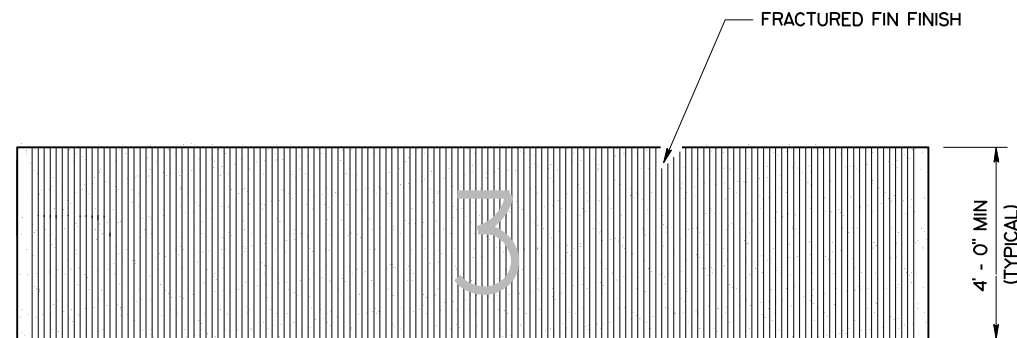


PANEL ELEVATIONS FREEWAY SIDE
(RESIDENTIAL SIDE TO BE
BRUSH CONCRETE
or
ASHLAR STONE #12020)

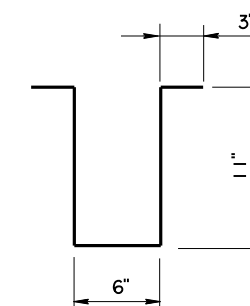
FRACTURED FIN PATTERN	
FORM LINER NO	MFG
#109	SCOTTSYSTEM, INC.
#373	GREENSTREAK
#16950	FITZGERALD FORMLINERS
OR EQUAL - SUBJECT TO APPROVAL	



PRECAST CONCRETE COPING
N. T. S.



RIPRAP DETAIL



BAR U