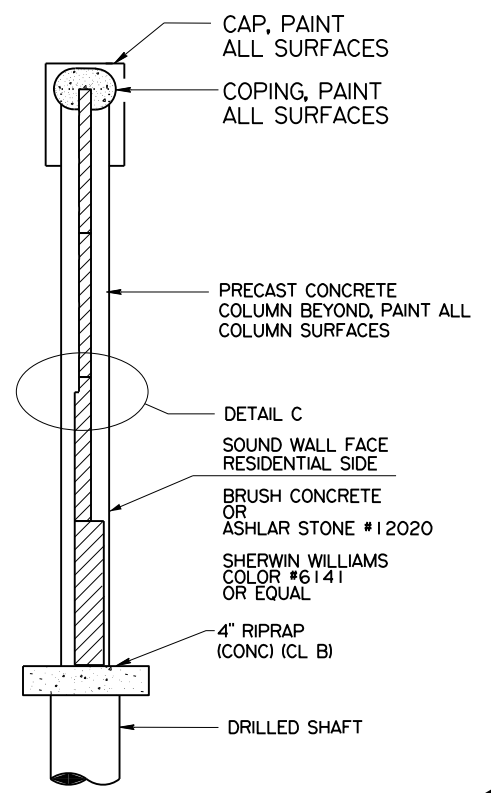
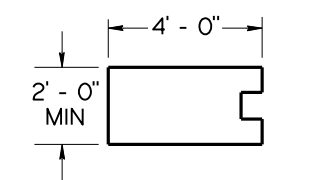


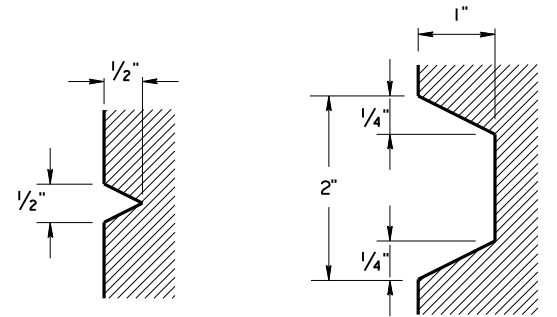
ELEVATION



SECTION

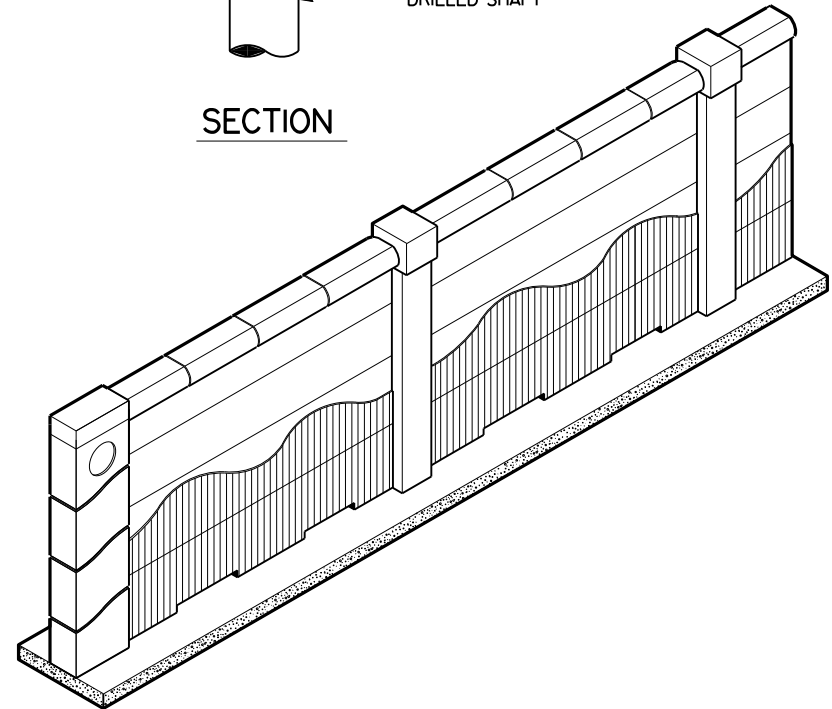


END COLUMN PLAN  
REQD AT ALL ENDS

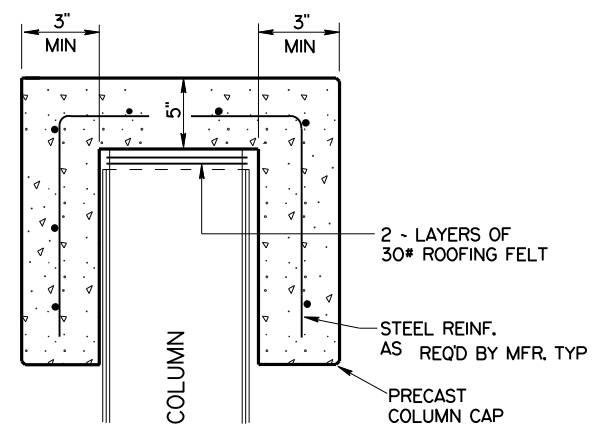


DETAIL A  
NTS

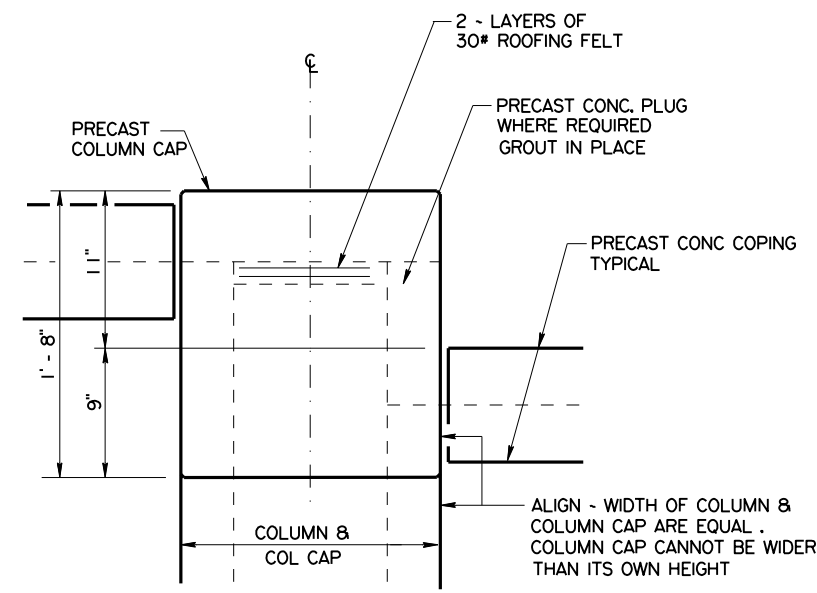
DETAIL B  
NTS



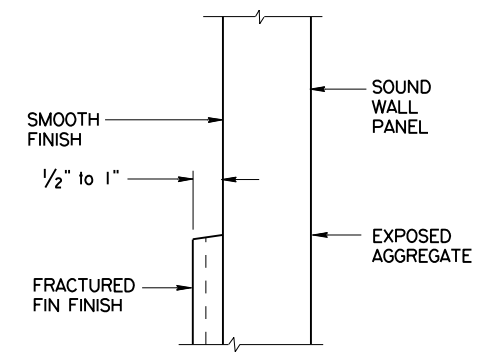
SHEET 3 OF 3



SECTION  
PRECAST CONCRETE  
COLUMN CAP



ELEVATION  
PRECAST CONCRETE  
COLUMN CAP



DETAIL C  
NTS

Texas Department of Transportation  
Houston District Bridge  
Green Ribbon Project

SOUND WALL DETAILS  
WAVE SCHEME

SWD-WS

FILE: STDJ7.DGN	DN: TxDOT	CK: TxDOT	DW: TxDOT	CK: TxDOT
© TxDOT DEC 2010	REVISIONS	DISTRICT FED REG	PROJECT NO.	SHEET
12/2010 Update bottom panel steel requirements.	HOUSTON	6		
9/2014 Exposed Aggregate removed, current face added.	COUNTY	CONTROL	SECT	JOB
6/2017 Removed Minni Hana Blend.				HIGHWAY