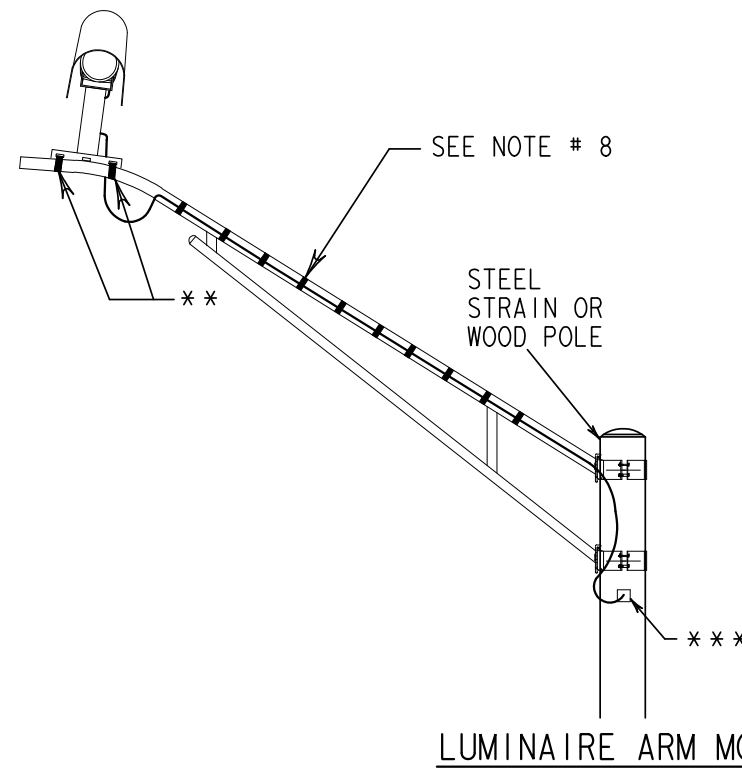
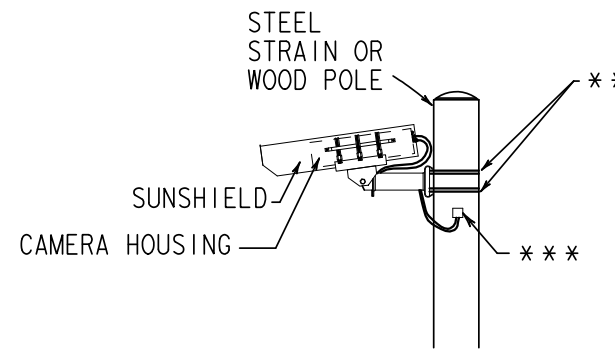


NOTES FOR VIDEO DETECTION:

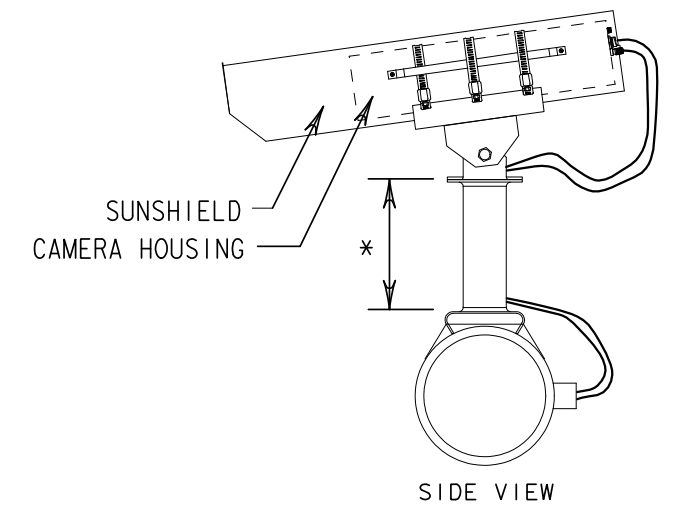
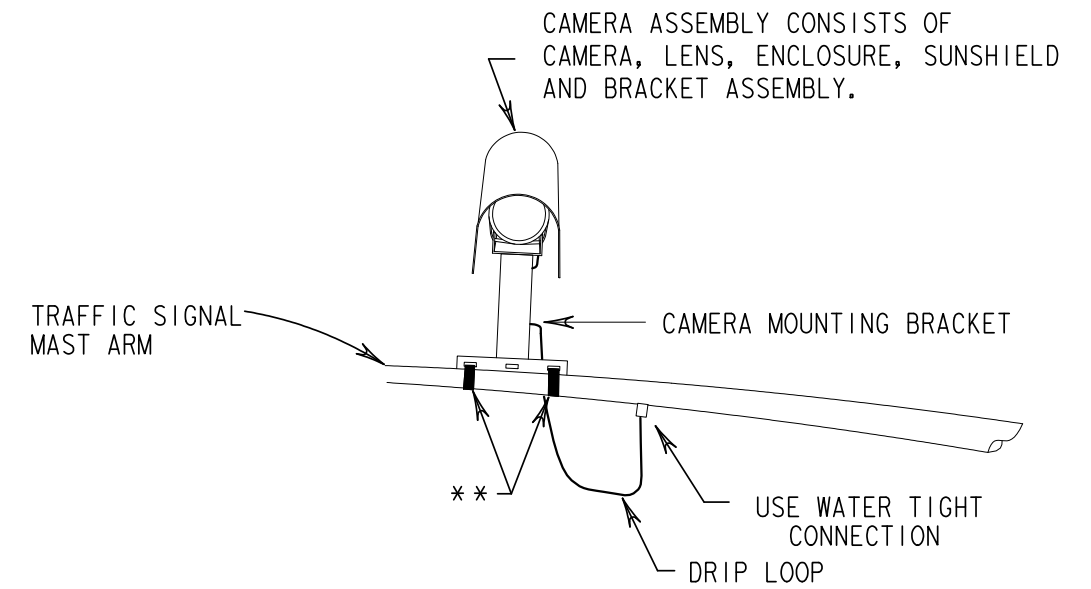
1. INSTALL VIDEO DETECTION PROCESSOR UNIT INSIDE CONTROLLER CABINET.
2. INSTALL VIDEO DETECTION CAMERA & BRACKET AS DETAILED OR AS DIRECTED BY THE VIDEO DETECTION SUPPLIER.
3. MOUNT CAMERAS AS FAR OVER THE ROADWAY AS POSSIBLE.
4. USE 3/4 IN. STAINLESS STEEL BANDING MATERIAL TO INSTALL CAMERA MOUNTS.
5. AIM CAMERA SO THAT HORIZON IS NOT VISIBLE IN THE FIELD OF VIEW.
6. INSTALL CAMERA ENCLOSURE ASSEMBLY SO THAT IT CAN ROTATE AFTER INSTALLATION TO PROVIDE PROPER ALIGNMENT.
7. PROVIDE WATER TIGHT CABLE ENTRY AND EXIT POINTS IN THE MAST ARM AND/OR POLES.
8. FOR VIVDS COAX AND POWER CABLES ATTACHED TO LUMINAIRE ARM, PROVIDE A METAL CABLE STRAP (ALUMINUM OR STAINLESS STEEL), 3/4-IN MINIMUM WIDTH AND TWO WRAPS AT 8 IN. MAXIMUM SPACING.



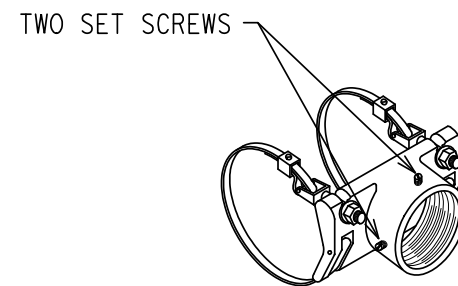
LUMINAIRE ARM MOUNT



POLE MOUNT



SIDE VIEW



BAND MOUNT BRACKET DETAIL

- \* 4 FT. PIPE EXTENSION WHEN MOUNTED ON TRAFFIC SIGNAL MAST ARM.
- \*\* 3/4 IN. (MIN) STAINLESS STEEL BANDING 2 PLACES MIN.
- \*\*\* ENTRY INTO STEEL POLE OR CONDUIT WEATHERHEAD ON WOOD POLE

SIGNAL DETAILS/STANDARDS  
VIVDS CAMERA  
MOUNTING DETAILS

VC/MD

| FILE#        | DN#    | CK#     | DW#         | CK#     |
|--------------|--------|---------|-------------|---------|
| © TxDOT 2010 | DIST   | FED REG | PROJECT NO. | SHEET   |
| REVISIONS    |        |         |             |         |
| 02/2004      | HOU    | 6       |             |         |
| 03/16/2006   | COUNTY | CONTROL | SECT        | JOB     |
| 09/2010      |        |         |             | HIGHWAY |