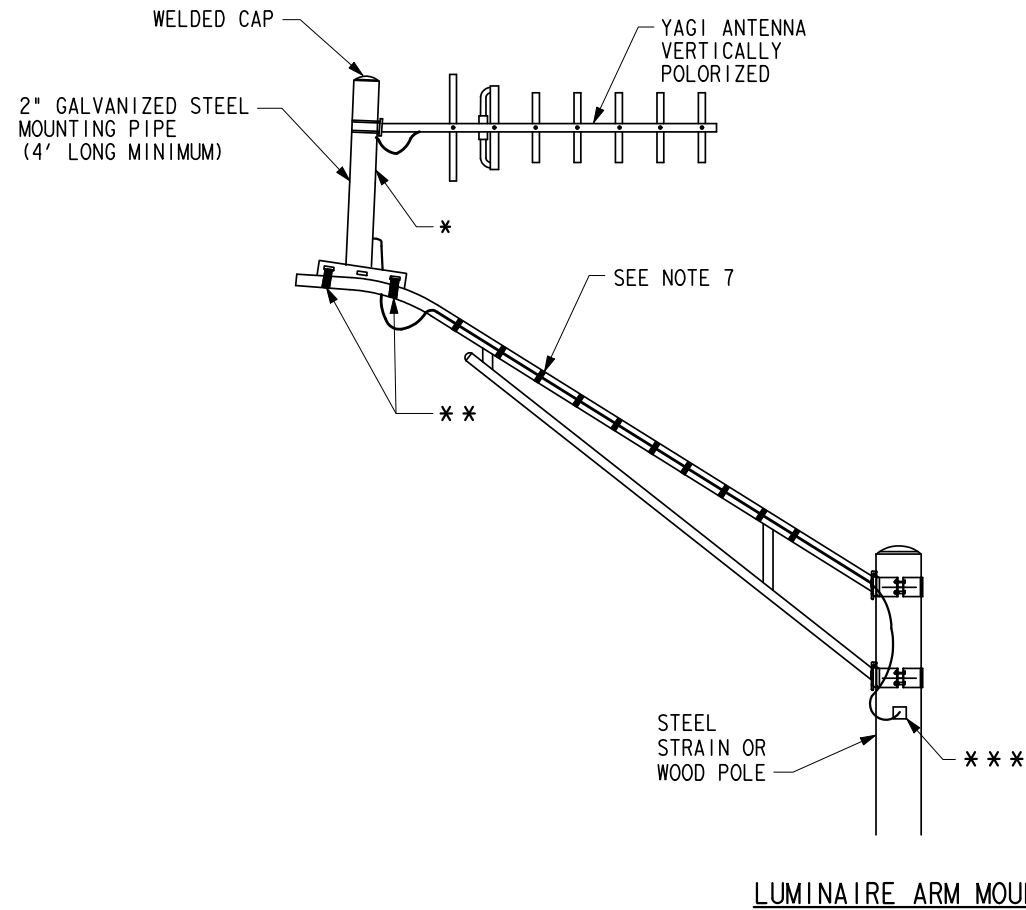
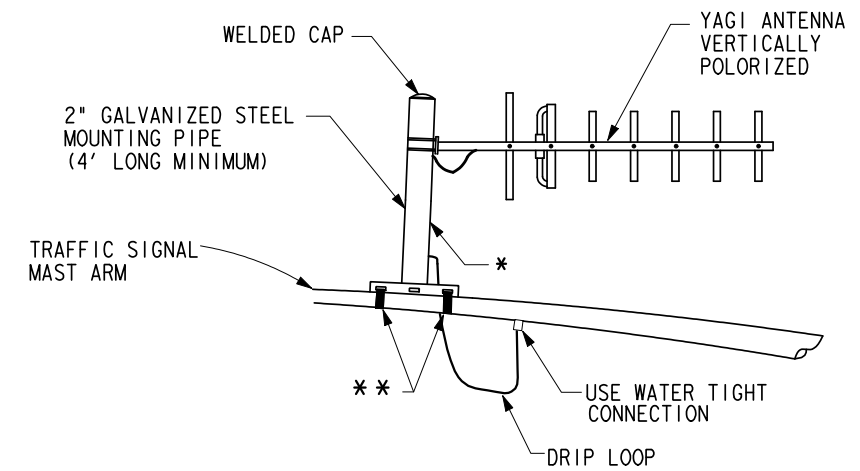


NOTES FOR SPREAD SPECTRUM ANTENNAS

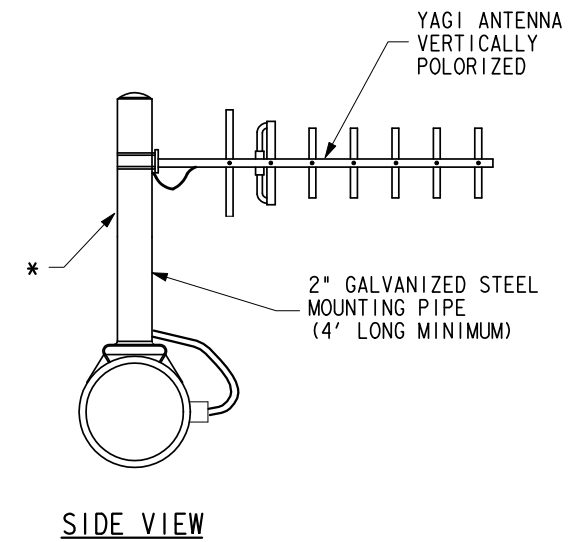
1. MOUNT ANTENNAS TO PROVIDE THE HIGHEST LEVEL OF RELIABILITY BETWEEN SENDING AND RECEIVING UNITS.
2. PERFORM A PATH STUDY TO DETERMINE EXACT MOUNTING LOCATION OF ANTENNAS BY RADIO SUPPLIER.
3. INSTALL ANTENNAS AS DETAILED OR AS DIRECTED BY THE SPREAD SPECTRUM RADIO SUPPLIER.
4. FURNISH MOUNTING BRACKETS FOR ANTENNAS ATTACHED TO VERTICAL PIPE AS RECOMMENDED BY SPREAD SPECTRUM RADIO SUPPLIER.
5. USE 3/4 IN. STAINLESS STEEL BANDING MATERIAL TO INSTALL ANTENNA MOUNTS.
6. PROVIDE WATER TIGHT CABLE ENTRY AND EXIT POINTS IN THE TRAFFIC SIGNAL MAST ARM AND/OR POLES.
7. FOR SPREAD SPECTRUM COAX OR HELIAX CABLE ATTACHED TO LUMINAIRE ARM, PROVIDE METAL CABLE STRAP (ALUMINUM OR STAINLESS STEEL), 3/4-IN MINIMUM WIDTH AND TWO WRAPS AT 8 IN. MAXIMUM SPACING.



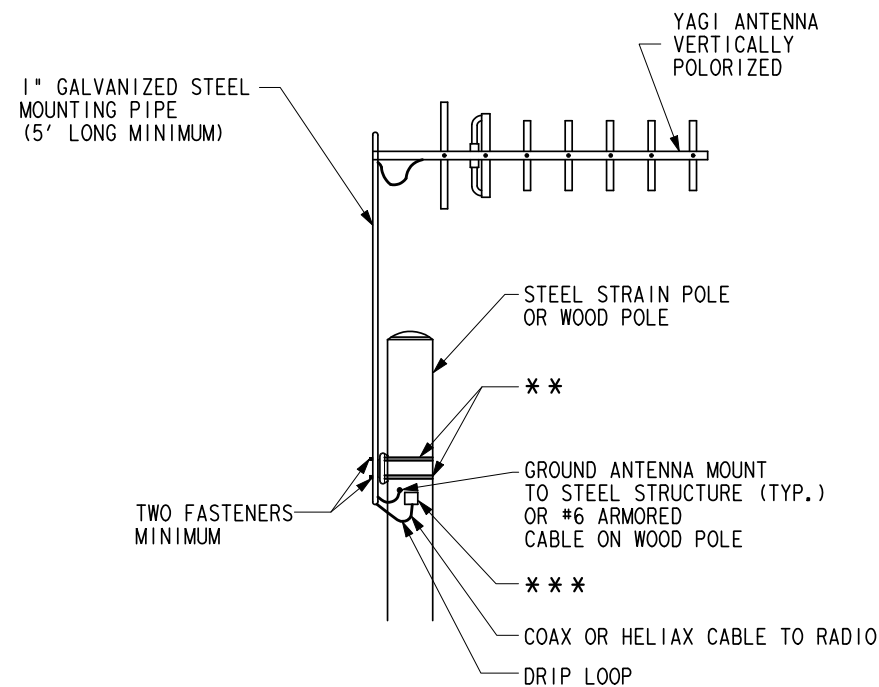
LUMINAIRE ARM MOUNT



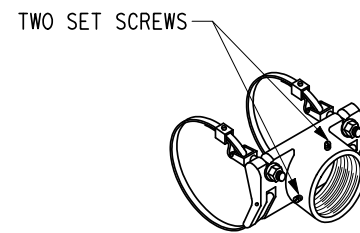
MAST ARM MOUNT



SIDE VIEW



POLE MOUNT



BAND MOUNT BRACKET DETAIL

Texas Department of Transportation  
Houston District

SIGNAL DETAILS/STANDARDS  
SPREAD SPECTRUM RADIO  
ANTENNA MOUNTING DETAILS

SSR/AMD

FILE#	DN#	CK#	DW#	CK#
© TxDOT 2010	DIST	FED REG	PROJECT NO.	SHEET
REVISIONS	HOU	6		
03/16/2006	COUNTY	CONTROL	SECT	JOB
09/2010				HIGHWAY